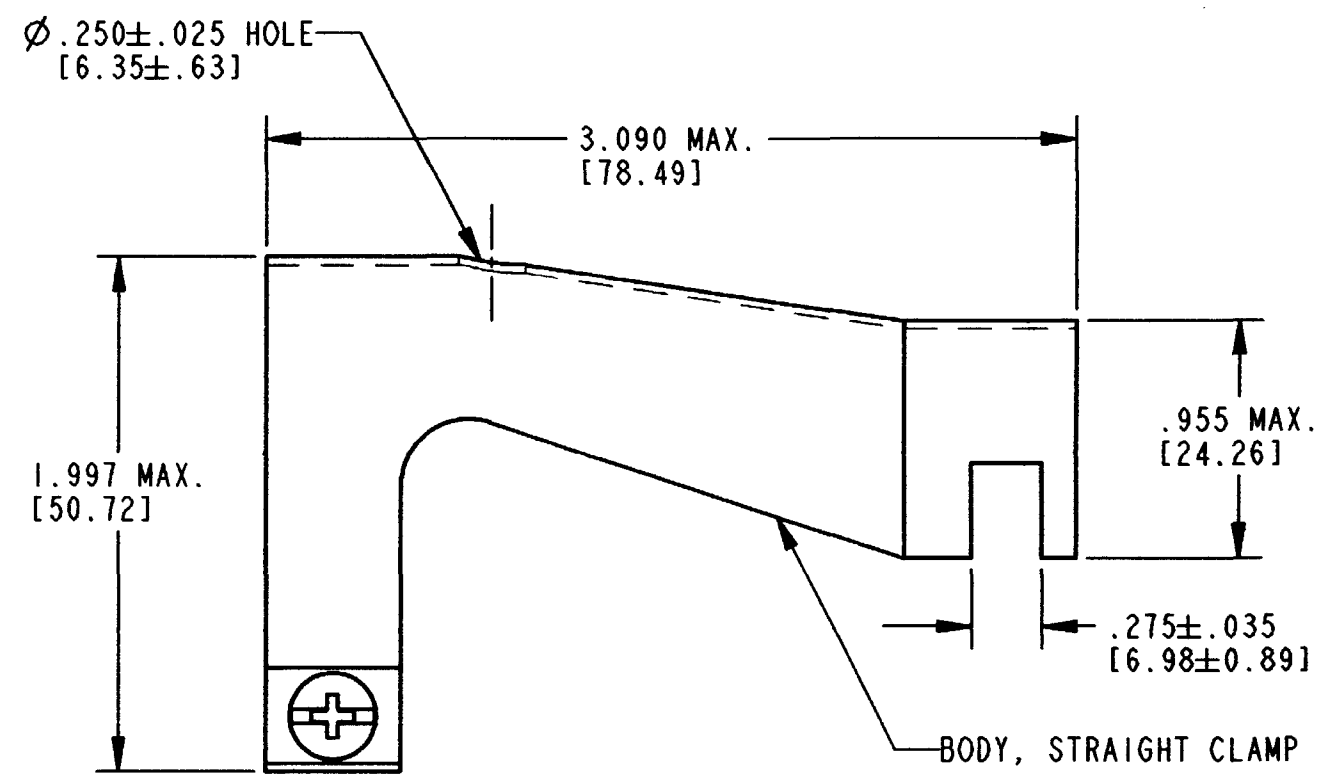
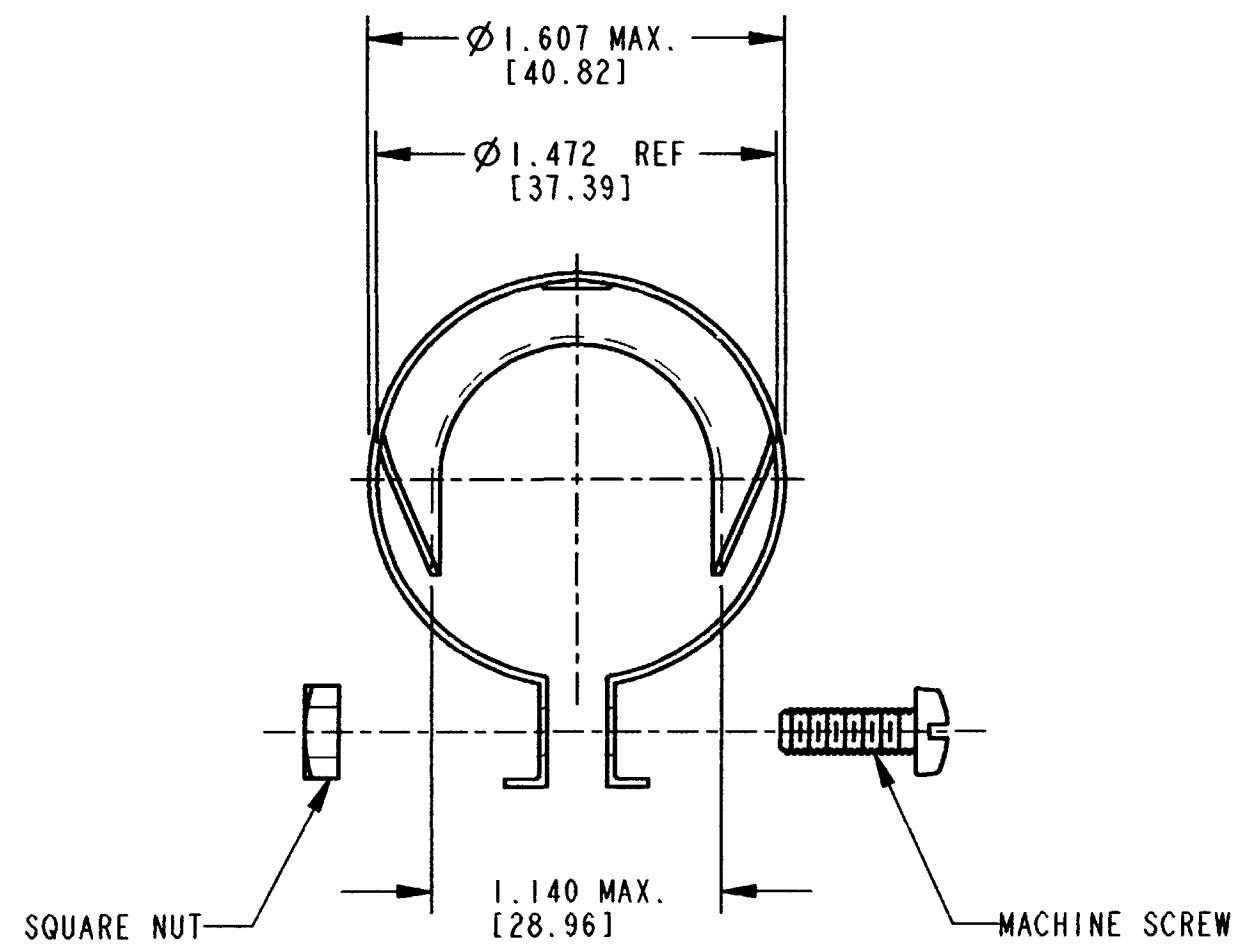


REV	WHDS-24-1	REVISIONS		
SYM	DESCRIPTION	DATE	APPROVED	
B	REVISED PER E.O. 93864	2/16/83	T.H.	
C	REVISED PER E.O. P15473	11/20/97	R.D.R.	
D	REVISED PER E.O. P18579	6/14/04	R.D.R.	
E	REVISED PER E.O. P19027	8-31-05	RDR	



- NOTES: 1. DIMENSIONS ARE IN INCHES [MILLIMETERS] UNLESS OTHERWISE SPECIFIED.
- MACHINE SCREW TORQUE RANGE: 7-10 IN LBS [0.79-1.13 NM].
  - PARTS SHIPPED UNASSEMBLED.
  - FINISH: TIN OVER NICKEL PLATE.
  - MATERIAL: STEEL.

SIGNATURE & DATE		CLAMP, STRAIGHT HD SERIES	CP	MATL. CODE	
DR	X. SANCHEZ 19MAY04		The Deutch Company DEUTSCH I.P.D. 3850 INDUSTRIAL AVE. HEMET, CALIF. 92545		
CHK	<i>[Signature]</i> 8/31/05		<b>B</b>	WHDS-24-1	
PE	<i>[Signature]</i> 8/29/05			DWG SIZE	CODE 11139
APPD	<i>[Signature]</i> 8/29/05	ENVELOPE			
SCALE	NONE	WT			