

THIS DRAWING IS UNPUBLISHED. RELEASED FOR PUBLICATION  
 © COPYRIGHT - By - ALL RIGHTS RESERVED.

LOC	DIST	REVISIONS			
P	LTR	DESCRIPTION	DATE	DWN	APVD
AF	50	D3	REVISE PER ECR-14-005740	15APR2014	GRZ JL

D

D

C

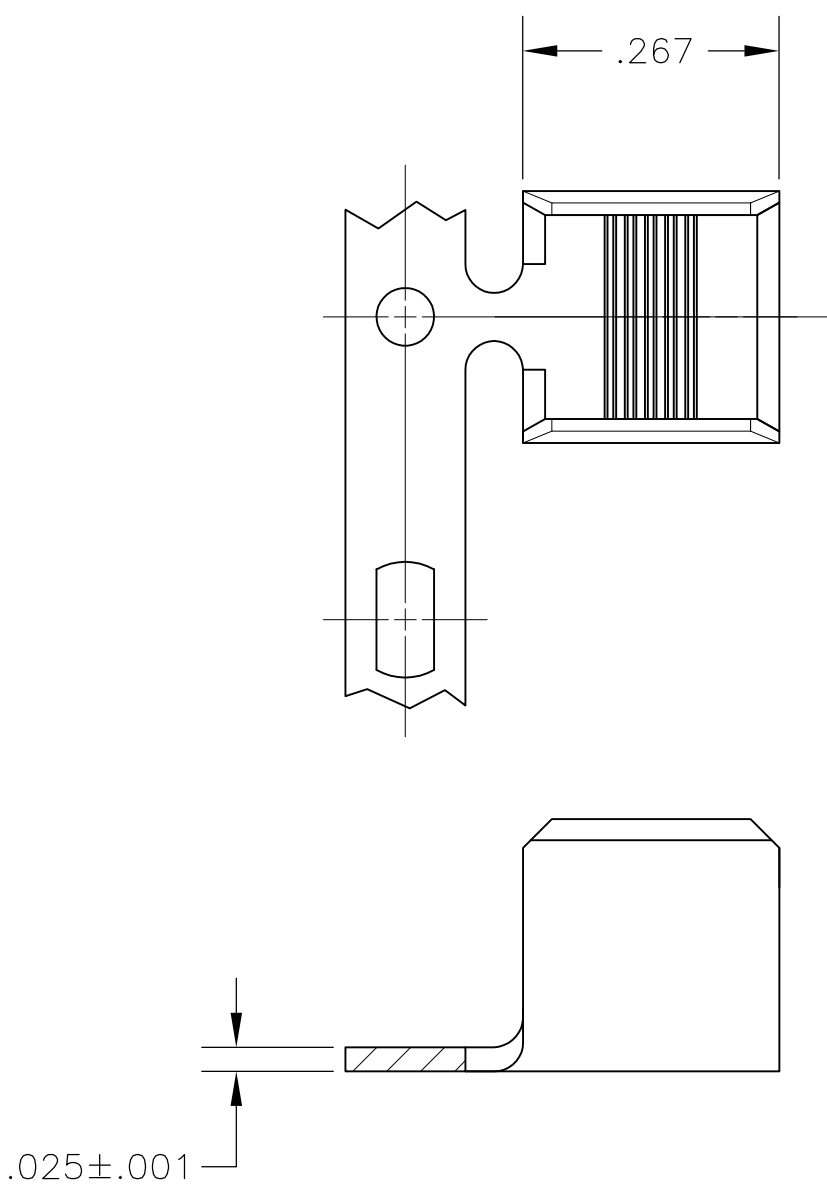
C

B

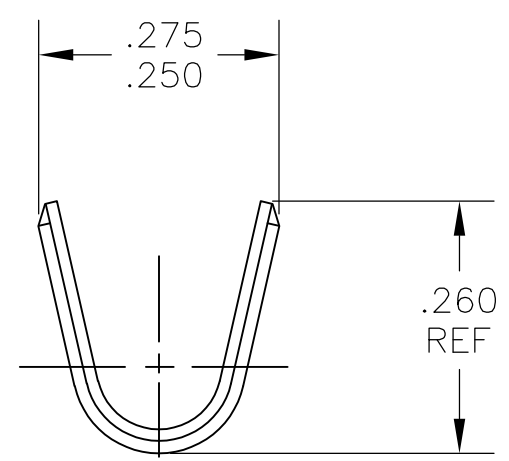
B

A

A



- 1 PROVIDED ON 24 INCH DIA REEL.
- 2 CRIMP WIDTH—.180, F TYPE
- 3 CRIMP HEIGHT ±.002 =  $\frac{CMA+23,500}{312,500}$
- 4 WIRE RANGE IS 6,000—14,000 CMA
- △5 SPLICE FREE



—	△5	1217990-4
TIN PLATE	△5	1217990-3
TIN PLATE		1217990-2
—		1217990-1
FINISH		PART NO

THIS DRAWING IS A CONTROLLED DOCUMENT.		DWN jr_ruth 26AUG03	<b>STE</b> TE Connectivity															
DIMENSIONS: INCHES		CHK G PORTA 26AUG03				NAME SPLICE, AMPLIVAR 5 SERRATIONS												
TOLERANCES UNLESS OTHERWISE SPECIFIED:		APVD G PORTA 26AUG03	PRODUCT SPEC															
<table border="0"> <tr><td>0 PLC</td><td>± -</td></tr> <tr><td>1 PLC</td><td>± -</td></tr> <tr><td>2 PLC</td><td>± .010</td></tr> <tr><td>3 PLC</td><td>± -</td></tr> <tr><td>4 PLC</td><td>± -</td></tr> <tr><td>ANGLES</td><td>± -</td></tr> </table>		0 PLC	± -	1 PLC	± -	2 PLC	± .010	3 PLC	± -	4 PLC	± -	ANGLES	± -	APPLICATION SPEC	SIZE	CAGE CODE	DRAWING NO	RESTRICTED TO
0 PLC	± -																	
1 PLC	± -																	
2 PLC	± .010																	
3 PLC	± -																	
4 PLC	± -																	
ANGLES	± -																	
MATERIAL BRASS	FINISH SEE TABLE	WEIGHT —	A3	00779	C-1217990	—												
CUSTOMER DRAWING			SCALE	SHEET	REV													
			5:1	1 OF 1	D3													