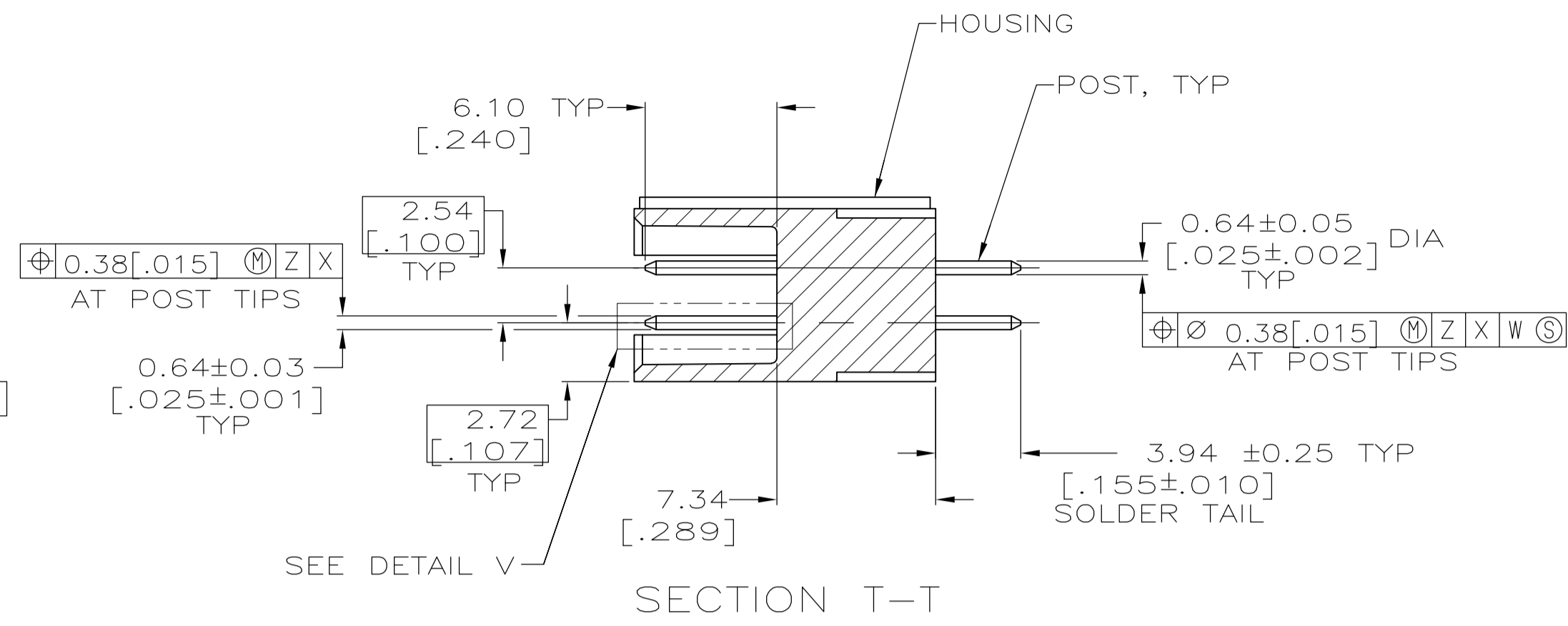
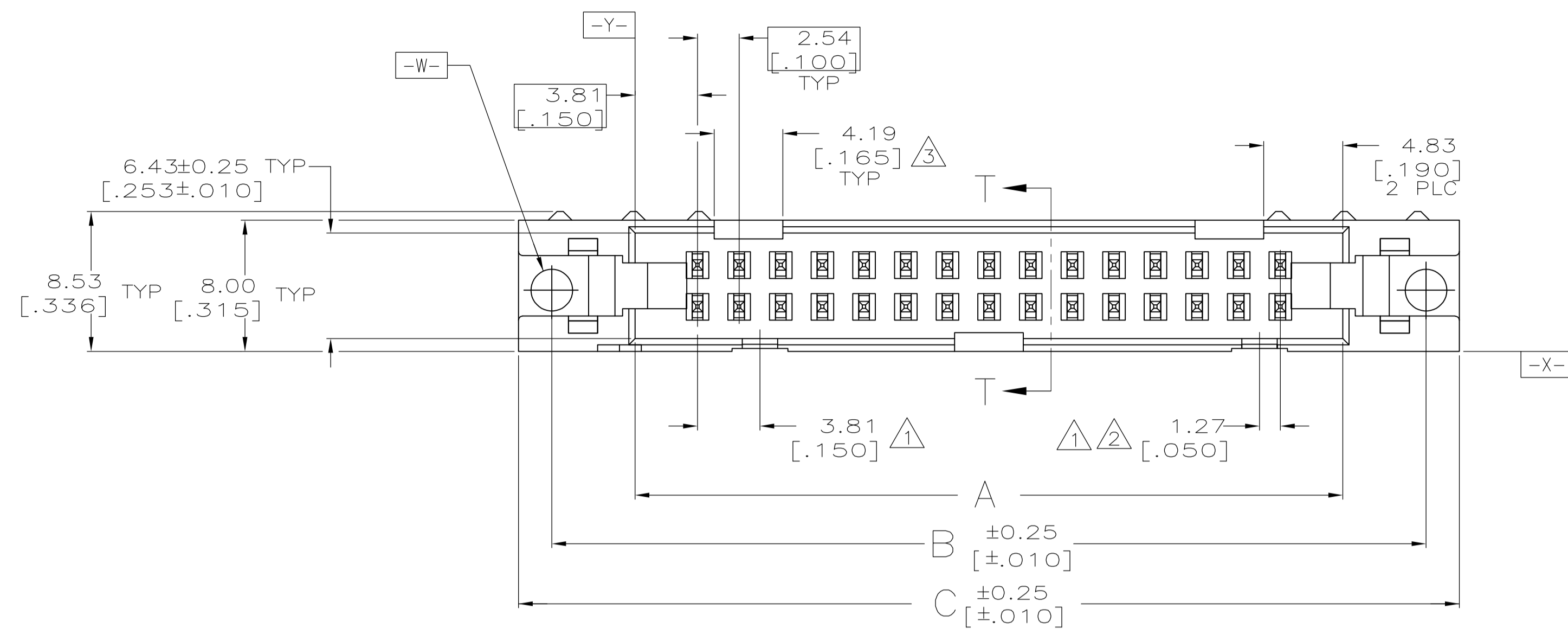
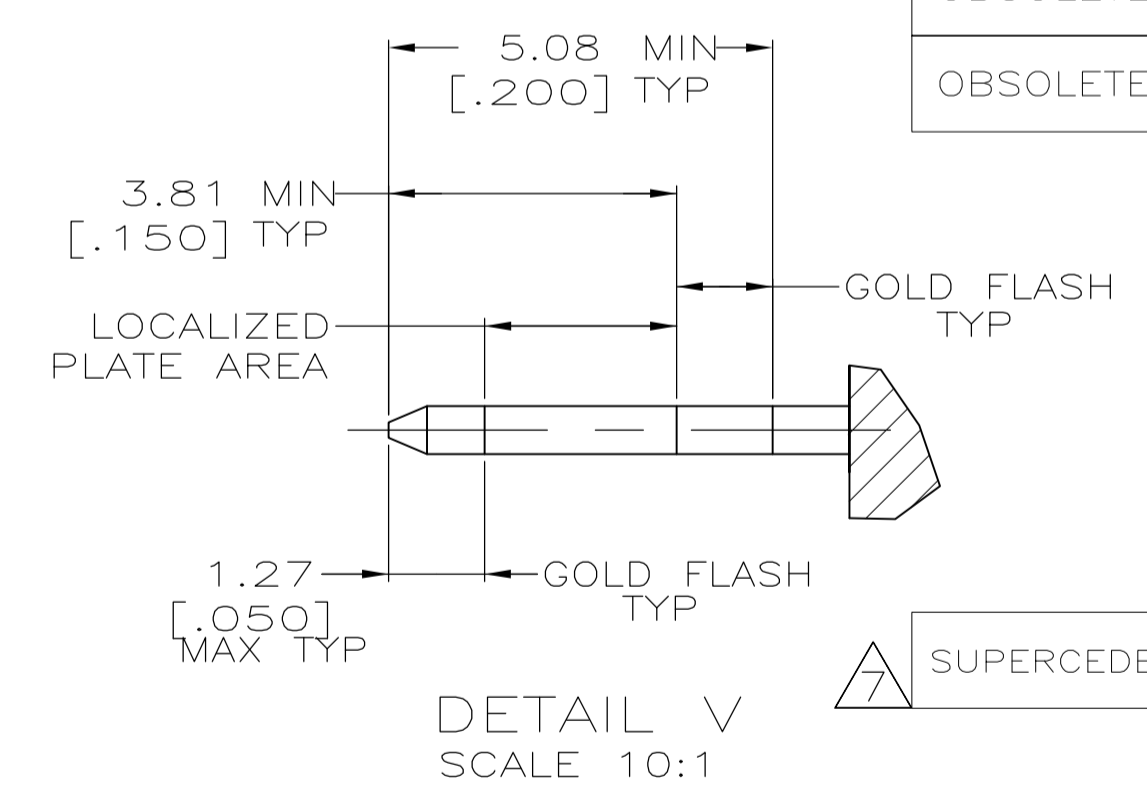
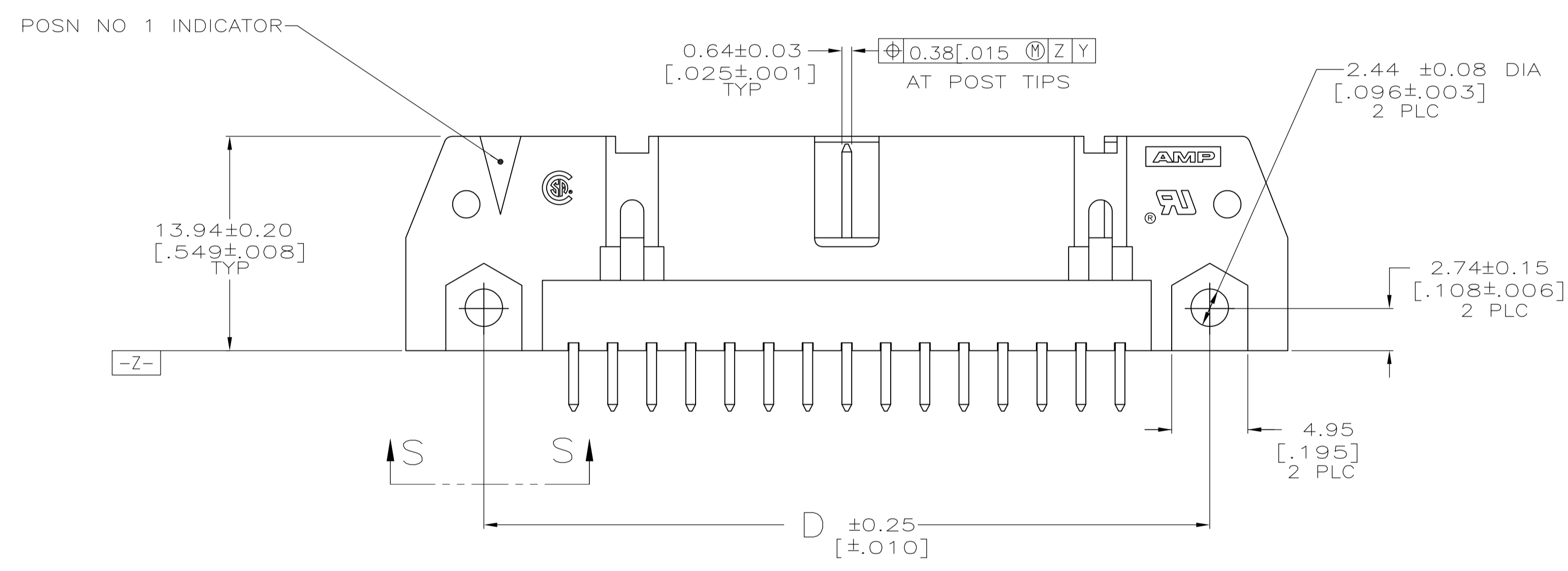


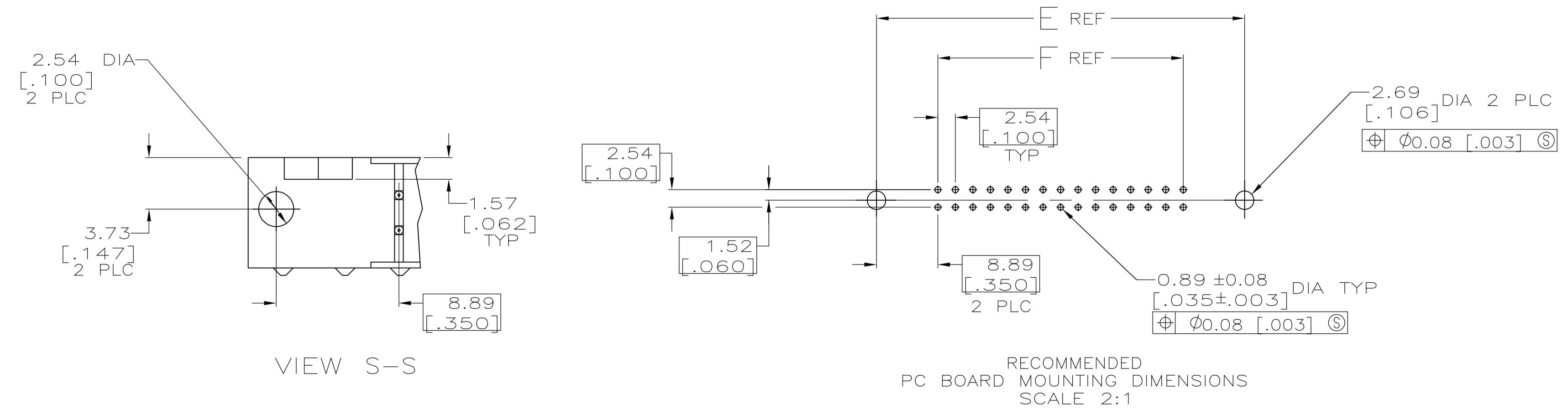
LOC		DIST		REVISIONS			
GP	00	REV	DATE	BY	CHK	APPV	
M		REVISED PER ECO-08-004045	26MAR08	JDP	SLB		
M1		REVISED PER ECO-09-020932	08SEP09	KK	AEG		



- △ COORDINATE DIMENSION APPLIES FROM BASIC LOCATION.
- △ 8, 10 AND 14 POSITION SIZES CONTAIN ONLY ONE SLOT FOR SNAP-IN POLARIZER (MILITARY POLARIZATION) LOCATED AS SHOWN.
- △ 8 AND 10 POSITION SIZES CONTAIN ONLY ONE SLOT FOR DUAL POLARIZATION, LOCATED AS SHOWN.
- 4. RECOMMENDED PRINTED CIRCUIT BOARD THICKNESS IS 3.18 [.125].
- △ MATERIAL:  
HOUSING: GLASS FILLED NYLON OR POLYESTER, 94V-0 RATED; BLACK.  
POSTS: PH. BRONZE OR BRASS.
- △ POSTS: GOLD FLASH OVER PALLADIUM-NICKEL PLATE, 0.76µm[.000030] MIN TOTAL ON THE LOCALIZED PLATE AREA, 2.54µm[.000100] MIN TIN-LEAD PLATE ON THE SOLDER-TAILS, 1.27µm[.000050] MIN NICKEL UNDERPLATE ON THE ENTIRE POST.  
-OR-  
0.76µm[.000030] MIN GOLD PLATE ON THE LOCALIZED PLATE AREA, 2.54µm[.000100] MIN TIN-LEAD PLATE ON THE SOLDER-TAILS, 1.27µm[.000050] MIN NICKEL UNDERPLATE ON THE ENTIRE POST.



OBSOLETE	DIMENSIONS (mm)						NO OF POSN	PART NUMBER
	7.62	25.40	19.30	29.46	25.40	15.24		
OBSOLETE	53.34	71.12	65.02	75.18	71.12	60.96	8	1-102156-4
OBSOLETE	78.74	96.52	90.42	100.58	96.52	86.36	44	1-102156-3
	73.66	91.44	85.34	95.50	91.44	81.28	64	1-102156-2
	60.96	78.74	72.64	82.80	78.74	68.58	60	1-102156-1
	48.26	66.04	59.94	70.10	66.04	55.88	50	1-102156-0
	40.64	58.42	52.32	62.48	58.42	48.26	40	102156-9
	35.56	53.34	47.24	57.40	53.34	43.18	34	102156-8
△ SUPERCEDED	30.48	48.26	42.16	52.32	48.26	38.10	30	102156-7
	27.94	45.72	39.62	49.78	45.72	35.56	26	102156-6
	22.86	40.64	34.54	44.70	40.64	30.48	24	102156-5
	17.78	35.56	29.46	39.62	35.56	25.40	20	102156-4
	15.24	33.02	26.92	37.08	33.02	22.86	16	102156-3
	10.16	27.94	21.84	32.00	27.94	17.78	14	102156-2
							10	102156-1
	F	E	D	C	B	A		



THIS DRAWING IS A CONTROLLED DOCUMENT. DIMENSIONS: mm [INCHES]. TOLERANCES UNLESS OTHERWISE SPECIFIED: 0 PLC ±, 1 PLC ±, 2 PLC ±, 3 PLC ±, 4 PLC ±, ANGLES ±.

THIS DRAWING IS A CONTROLLED DOCUMENT. DIM: H.MOLL 4-23-90. CHK: R.STONE 11-28-90. NAME: Tyco Electronics Corporation, Harrisburg, PA 17105-3608. PRODUCT SPEC: 108-40018. APPLICATION SPEC: HEADER ASSY, UNIVERSAL, AMP-LATCH. SIZE: A1. CASE CODE: 00779. DRAWING NO: 102156. WEIGHT: -. RESTRICTED TO: CUSTOMER DRAWING. SCALE: 4:1. SHEET: 1 OF 1. REV: M1.