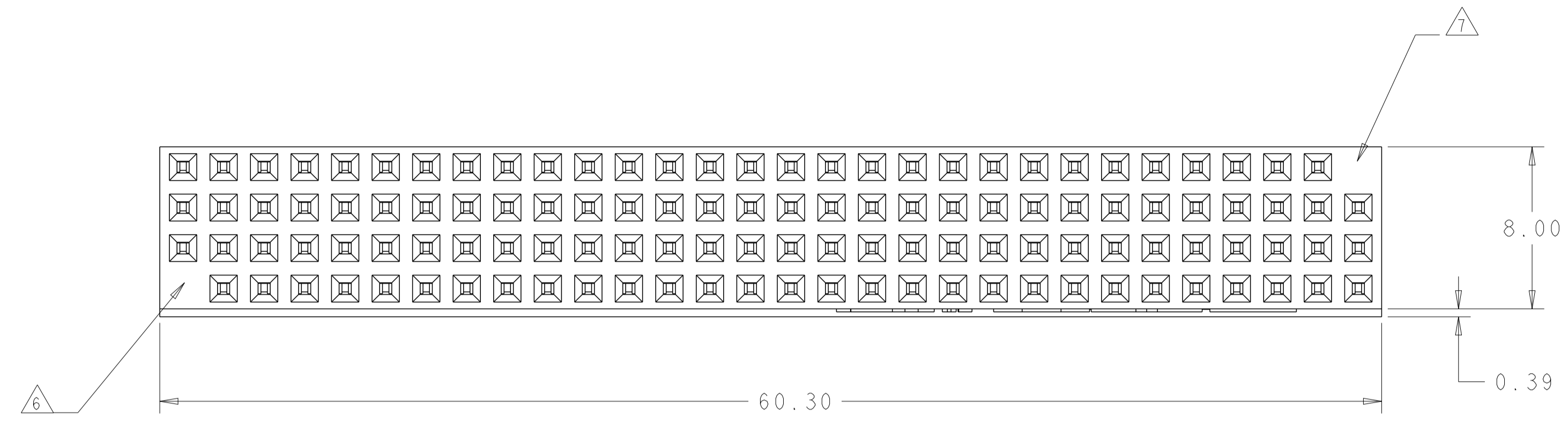
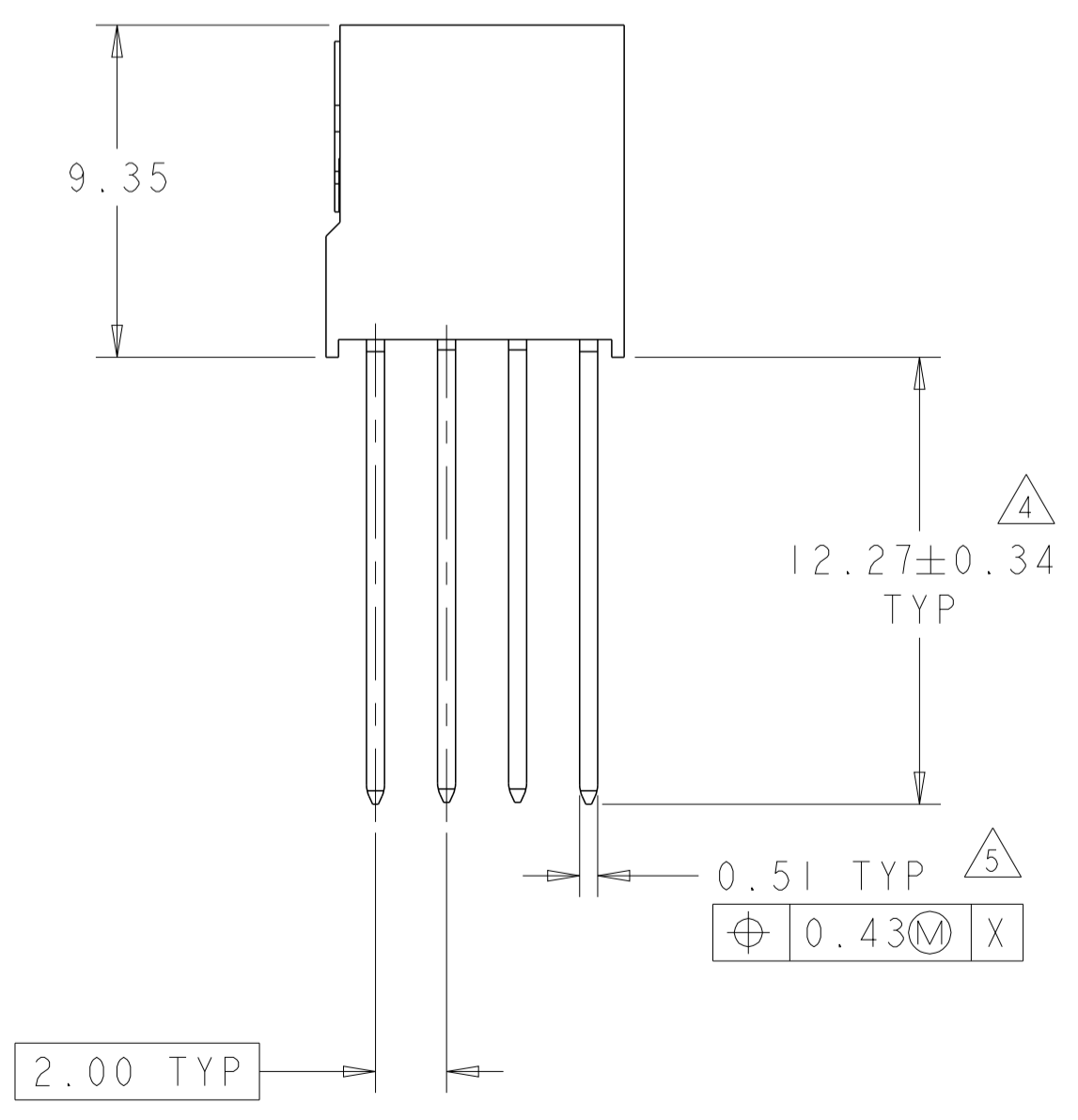
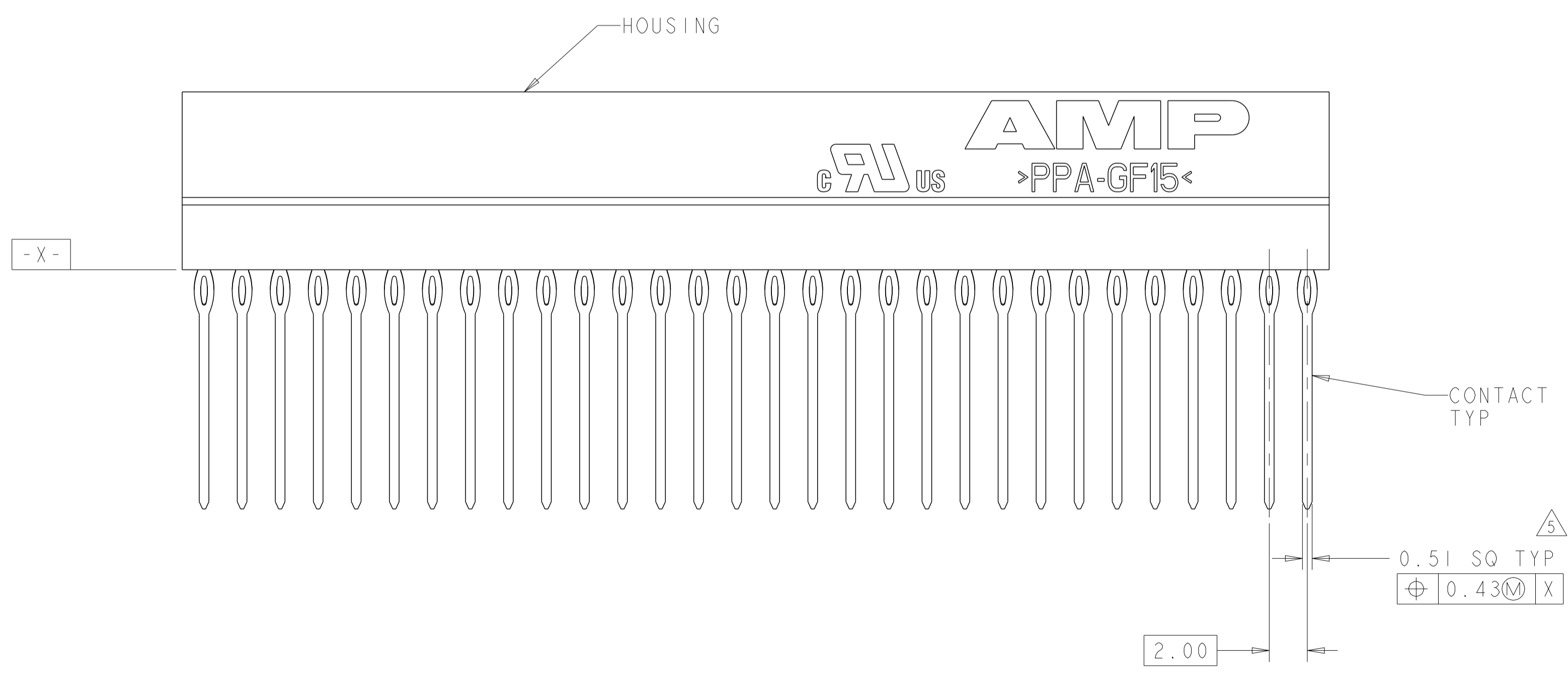


LOC	DIST	REV	DATE	BY	CHKD	APVD
A1	-	H4	27MAY2016	NK	JO	



- 1 HOUSING: HIGH TEMPERATURE, GLASS FILLED NYLON, COLOR: BLACK. CONTACTS: PHOSPHOR BRONZE.
- 2 CONTACTS: 0.000381 MIN GOLD ON MATING RECEPTACLE END, 0.000130 MIN GOLD ON REMAINDER, ALL OVER 0.001270 NICKEL.
- 3 PCB HOLE RECOMMENDATIONS:  
 A. DRILL HOLE DIAMETER TO BE 1.00±0.02.  
 B. PLATING TO BE 0.005 MIN TIN-LEAD OVER 0.025-0.075 COPPER.  
 C. RECOMMENDED FINISH HOLE SIZE IS 0.88±0.08.
- 4 DIMENSION AFTER SEATING TO PCB.
- 5 POSITION TOLERANCE APPLIES AFTER CONNECTOR IS PRESSED ONTO PC BOARD.
- 6 NO CONTACT IN THIS POSITION FOR PART NUMBER 1375799-2 ONLY.
- 7 NO CONTACT IN THIS POSITION FOR PART NUMBER 1375799-3 ONLY.
- 8 CONTACT FINISH: 0.000381 MIN GOLD ON MATING RECEPTACLE END, 0.00254-0.00508 TIN ON COMPLIANT AREA, 0.000130 MIN GOLD ON REMAINDER, ALL OVER 0.001270 NICKEL.
- 9 TO BE USED ON SILVER IMMERSION PLATED PCB'S (NOTE 10).
- 10 PCB HOLE RECOMMENDATIONS FOR SILVER IMMERSION PLATING:  
 A. DRILL HOLE DIAMETER TO BE 1.00-1.02.  
 B. PLATING TO BE 0.0001524-0.0004064 SILVER OVER 0.0508±0.0254 COPPER.  
 C. RECOMMENDED FINISH HOLE SIZE IS 0.94-0.97.
- 11 PCB HOLE RECOMMENDATIONS FOR ENIG PLATING:  
 A. DRILL HOLE DIAMETER TO BE 1.00-1.02.  
 B. PLATING TO BE 0.000051-0.000127 GOLD OVER 0.00305-0.00610 NICKEL ALL OVER 0.0508±0.0254 COPPER.  
 C. RECOMMENDED FINISH HOLE SIZE IS 0.94-0.97.
- 12 TO BE USED ON STANDARD PCB (NOTE 3) OR ENIG PLATED PCB (NOTE 11).



REV	DESCRIPTION	DATE	BY	CHKD	APVD
9	8	YES 7			1375799-6
9	8	YES 6			1375799-5
9	8	NO			1375799-4
12	2	YES 7			1375799-3
12	2	YES 6			1375799-2
12	2	NO			1375799-1
FINISH		KEYED CIRCUITS	PART NO		

THIS DRAWING IS A CONTROLLED DOCUMENT.

OWNER: G. LENKER 20JUN2000  
 CHK: L. BREKOSKY 15JAN2001  
 APVD: J. OLSON 13JAN2001

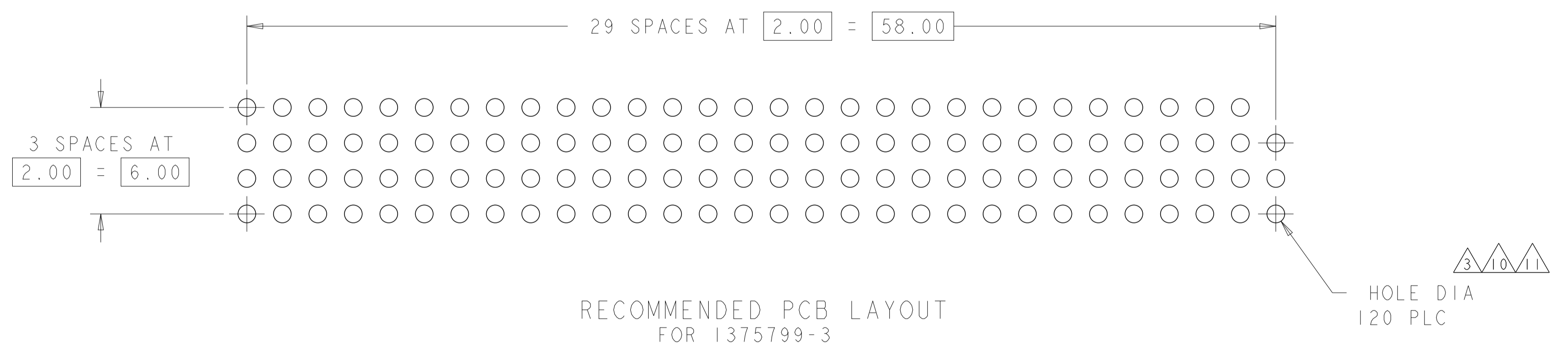
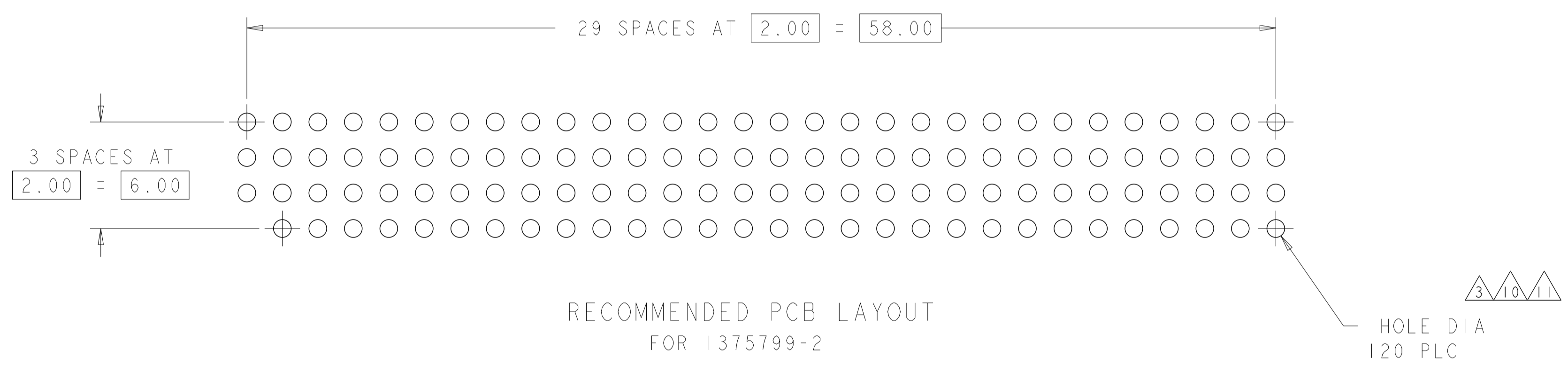
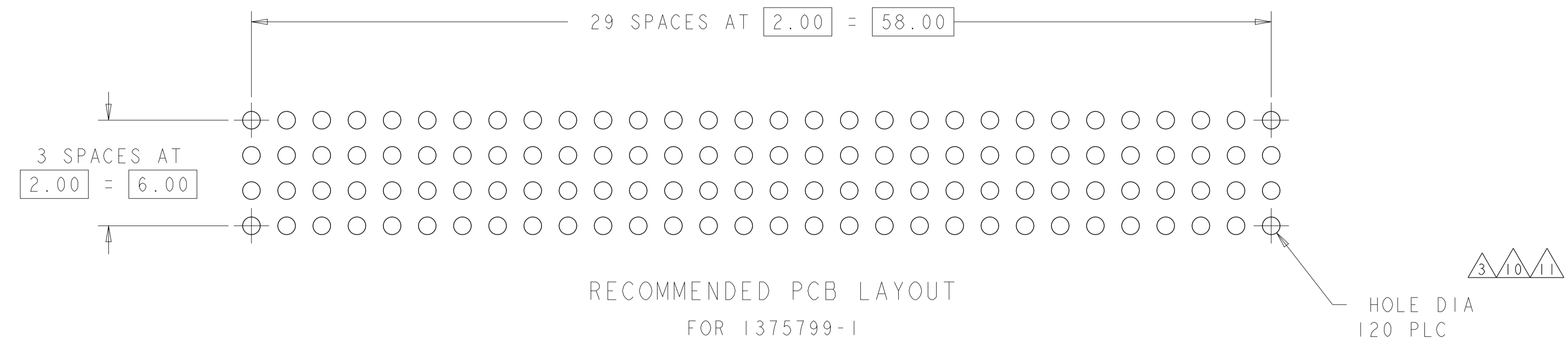
NAME: ASSEMBLY, PC/104-PLUS, STACKTHROUGH CONTACTS, PRESS FIT

PRODUCT SPEC: 108-1956  
 APPLICATION SPEC: 114-13021

SIZE: A1 00779 C=1375799  
 WEIGHT: -  
 CUSTOMER DRAWING

SCALE: 5:1 SHEET 1 OF 2 REV: H4

LOC		DIST		REVISIONS			
LOC	DIST	REV	DATE	BY	CHKD	APVD	DESCRIPTION
A1	-	-	-	-	-	-	SEE SHEET 1



THIS DRAWING IS A CONTROLLED DOCUMENT.		OWN: W.G. LENKER 20JUN2000	TE Connectivity
DIMENSIONS: mm		CHK: L. BREKOSKY 15JAN2001	
TOLERANCES UNLESS OTHERWISE SPECIFIED:		APVD: J. OLSON 13JAN2001	NAME: ASSEMBLY, PC/104-PLUS, STACKTHROUGH CONTACTS, PRESS FIT
0 PLC ±	1 PLC ±0.13	PRODUCT SPEC: 108-1956	SIZE: A1
2 PLC ±	3 PLC ±	APPLICATION SPEC: 114-13021	CAGE CODE: 00779
4 PLC ±	ANGLES ±	WEIGHT: -	DRAWING NO: 1375799
FINISH		CUSTOMER DRAWING	RESTRICTED TO: -
		SCALE: 5:1	SHEET 2 OF 2
		REV: H4	