

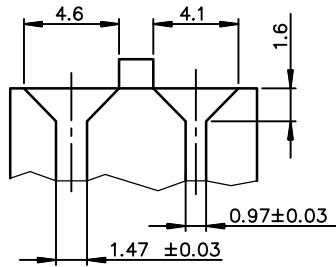
1

2

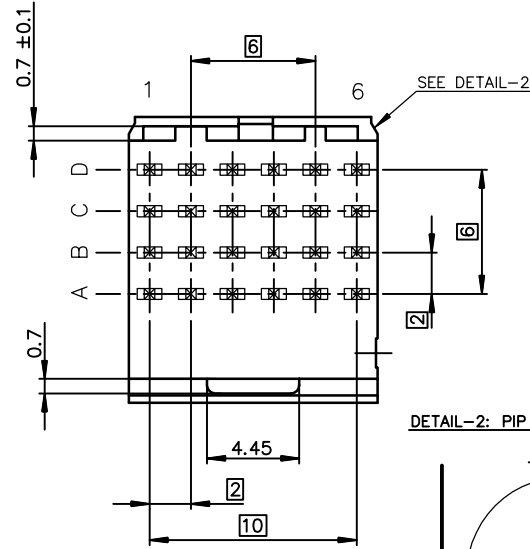
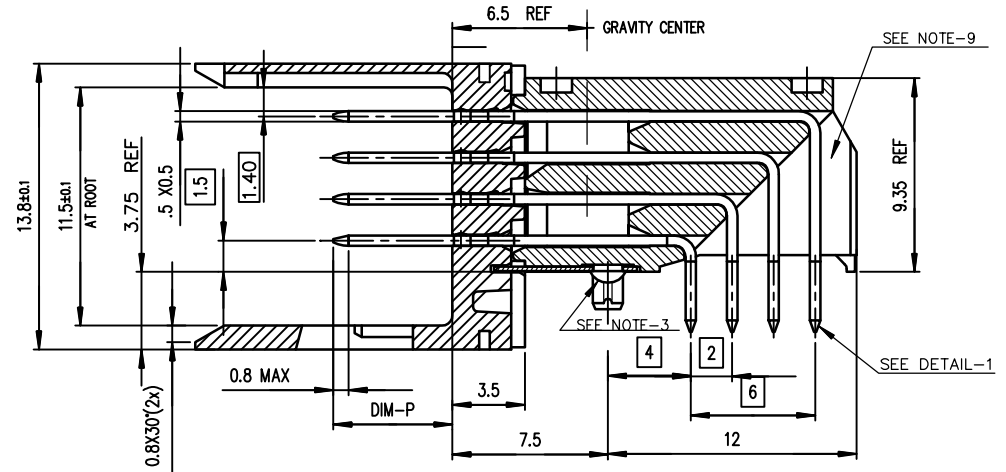
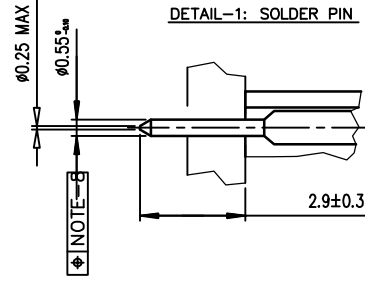
3

4

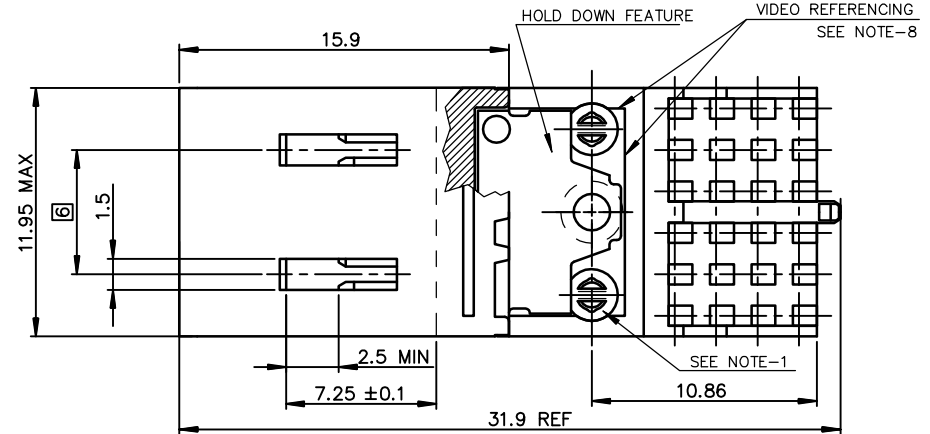
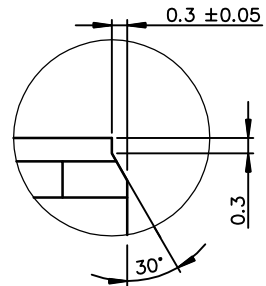
DETAIL-3: MATING SLOTS



DETAIL-1: SOLDER PIN



DETAIL-2: PIP CHAMFER SCALE 10/1



| | |
|----------------------|--|
| LEAD-FREEPART NUMBER | PERFORMANCE LEVEL |
| 10114942-101LF | STANDARD P/N, See Prod. Spec GS-12-446 |

GENERAL CHARACTERISTICS AND ROHS INFORMATIONS:

See PRODUCT SPECIFICATION: GS-12-446

- NOTE-1: SPRING PEGS WITH LOW INSERTION FORCE 20 N PER MODULE RETENTION FORCE * 10 N PER MODULE
- NOTE-2: ONE HEAT STAKE PEG FOR HDF FIXING
- NOTE-3: USE EXISTING CABLE TO BOARD CODING KEYS
- NOTE-4: PLATING ON MATING PART, SEE PRODUCT SPEC: GS-12-446
- NOTE-5: PRODUCT MARKING = PRODUCT PART NUMBER + FCI+DATE CODE
- NOTE-6: TRUE POS CONTROL WITH GRID GAUGE Ø0.65 + WEIGHT 10 N TRUE POS TOLERANCES ACCORDING TO MOUNTING RANGE = ±0.35 (X AND Y)
- NOTE-7: CENTRAL WALL WITH END REAR SUPPORT
- NOTE-8: VIDEO REFERENCING ON LISIBLE+ACCURATE SHARP PLASTIC EDGES

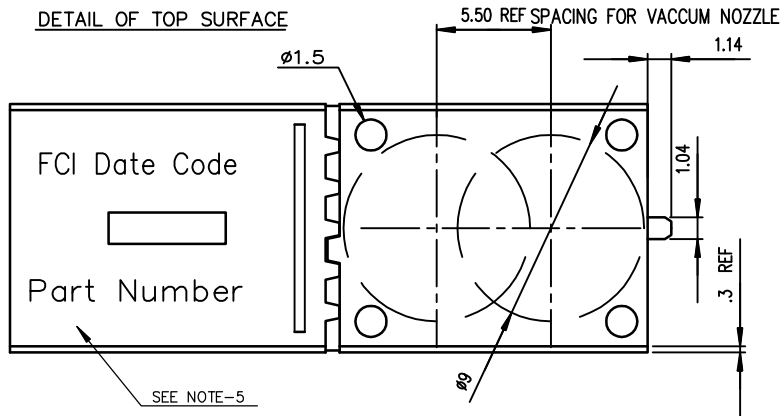
OTHERS INFORMATIONS,SEE SHEET 2/3/4

| | | | | | | | | | |
|---------------------------------------|-------------|--------------------|----------------|--------------------------------|-------------------|------------|---------------------------|---------|--------------|
| www.fciconnect.com | | surface ISO 1302 ✓ | | tolerance std ISO 406 ISO 1101 | | projection | | mm | |
| TOLERANCES UNLESS OTHERWISE SPECIFIED | | | | ANGULAR | | size A3 | | Scale 4 | |
| Dr | Heaven Cen | 2010/05/21 | 0.X | ±0.3 | ECN | | | | |
| Eng | Heaven Cen | 2010/05/21 | 0.XX | ±0.13 | Product family | | METRAL Spec ref - | | |
| Chr | PM Zheng | 2010/05/21 | 0.XXX | ±0.051 | title | | METRAL RA HDR PIP CONVERG | | Rev. A |
| Appr | Joseph Hsia | 2010/05/21 | Product family | | NB 4X6 - WITH HDF | | dwg no 10114942 | | |
| rev | | ecn no | dr | date | catalog no | | CUSTOMER | | sheet 1 of 4 |
| A | DG10-0186 | CenH | | 2010/05/21 | | | | | |

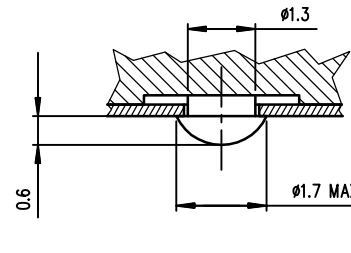


Copyright FCI

1
DETAIL OF TOP SURFACE



2
DETAIL OF CENTRAL HEAT STAKE PEG - SCALE 10/1

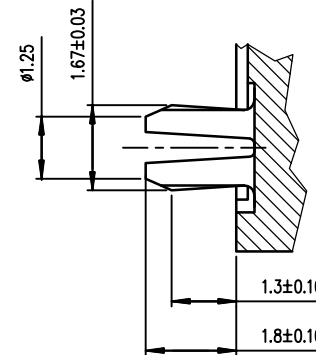
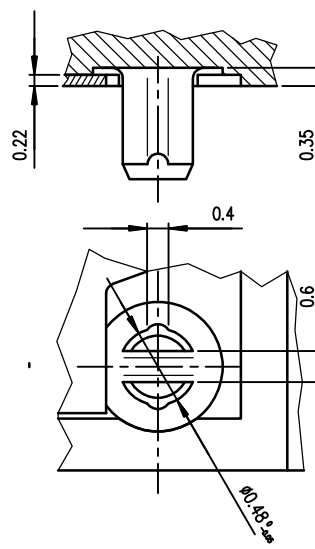
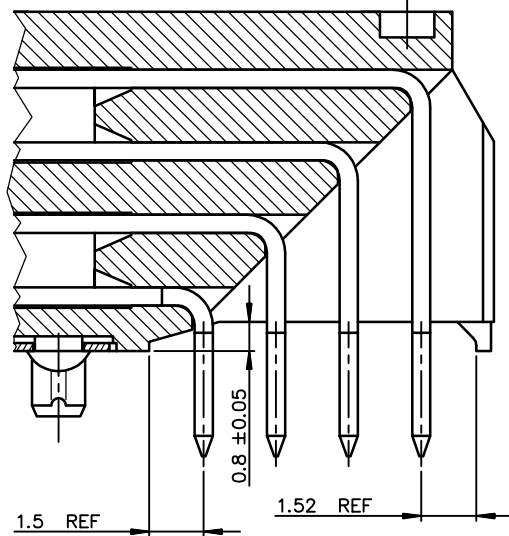


3 4
SPECIFIC DATAS: CONTACT LOADING SEE TABLE-1 & 2

TABLE-2

| PART NUMBER | ROW | CONTACT CODE CONFIGURATION | | | | | |
|----------------|-----|----------------------------|----|----|----|----|----|
| | | 1 | 2 | 3 | 4 | 5 | 6 |
| 10114942-X01LF | D | 02 | 02 | 02 | 02 | 02 | 02 |
| | C | 02 | 02 | 02 | 02 | 02 | 02 |
| | B | 02 | 02 | 02 | 02 | 02 | 02 |
| | A | 02 | 02 | 02 | 02 | 02 | 02 |

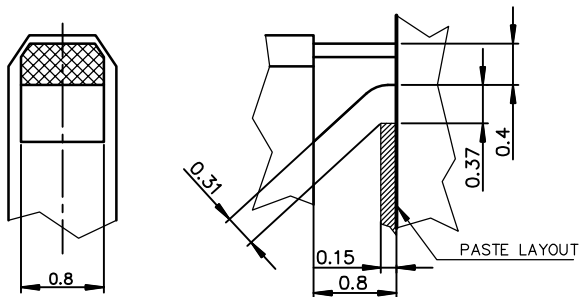
B
DETAIL OF STAND-OFF SCALE-7/1



| CONTACT CODE | |
|--------------|------------|
| DIM-P | |
| 01 | 5.00 |
| 02 | 5.75 |
| 03 | 6.50 |
| - | NO CONTACT |

TABLE-1

C
DETAIL OF REAR SUPPORT SCALE-20/1



D
DETAIL OF RETENTION PEGS (2x) SCALE 10/1

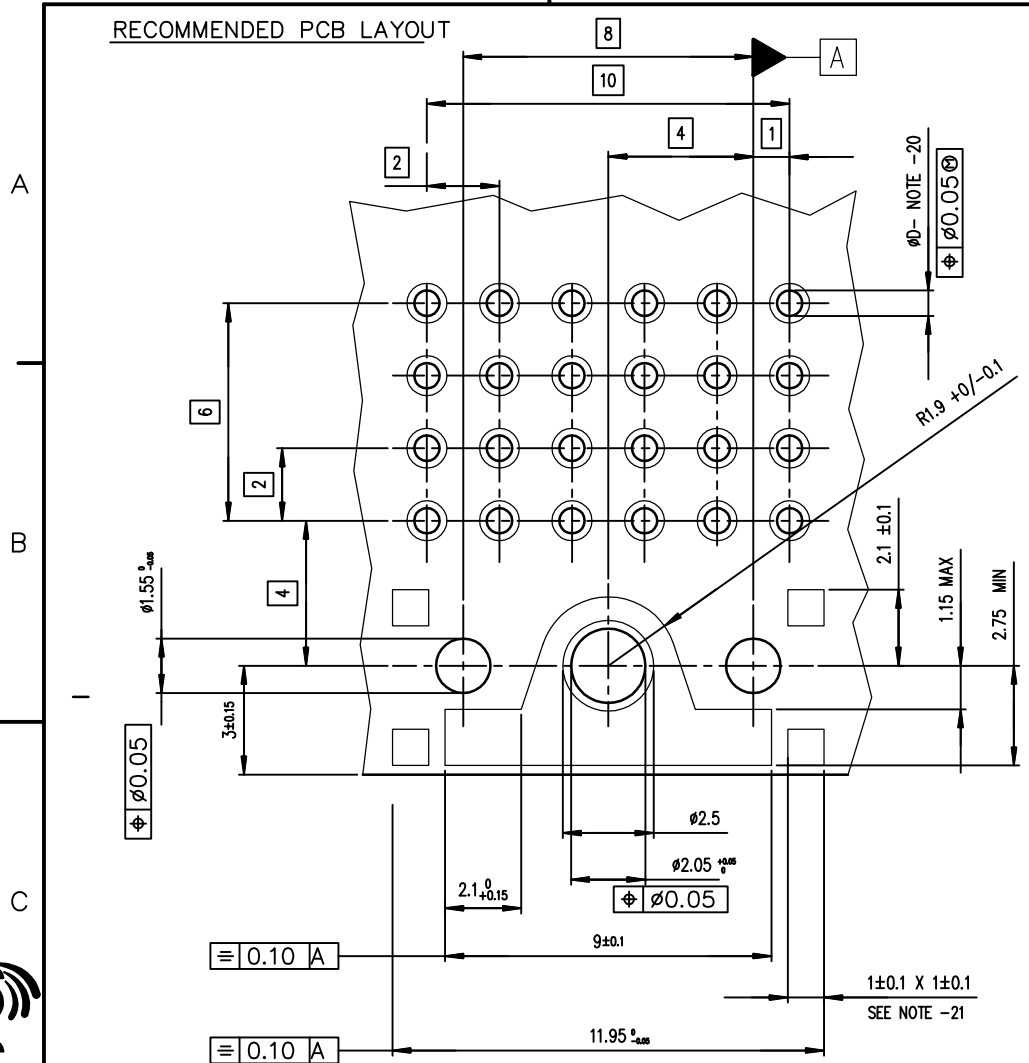
OTHERS INFORMATIONS, SEE DRW 1/-3/-4

| | | | | | |
|--|-------------|------------|-----------------------|------------|------------|
| www.fciconnect.com | | surface | tolerance std | projection | mm |
| | | ISO 1302 | ISO 406 ISO 1101 | | |
| TOLERANCES UNLESS OTHERWISE SPECIFIED | | | | | |
| Dr | Heaven Cen | 2010/05/21 | ANGULAR | 0.X | ±0.3 |
| Eng | Heaven Cen | 2010/05/21 | LINEAR | 0.XX | ±0.13 |
| Chr | PM Zheng | 2010/05/21 | 0.XX* ±2 | 0.XXX | ±0.051 |
| Appr | Joseph Hsia | 2010/05/21 | Product family | METRAL | Spec ref - |
| title METRAL RA HDR PIP CONVERG NB 4X6 - WITH HDF | | | dwg no | 10114942 | Rev. A |
| catalog no - | | | CUSTOMER sheet 2 of 4 | | |

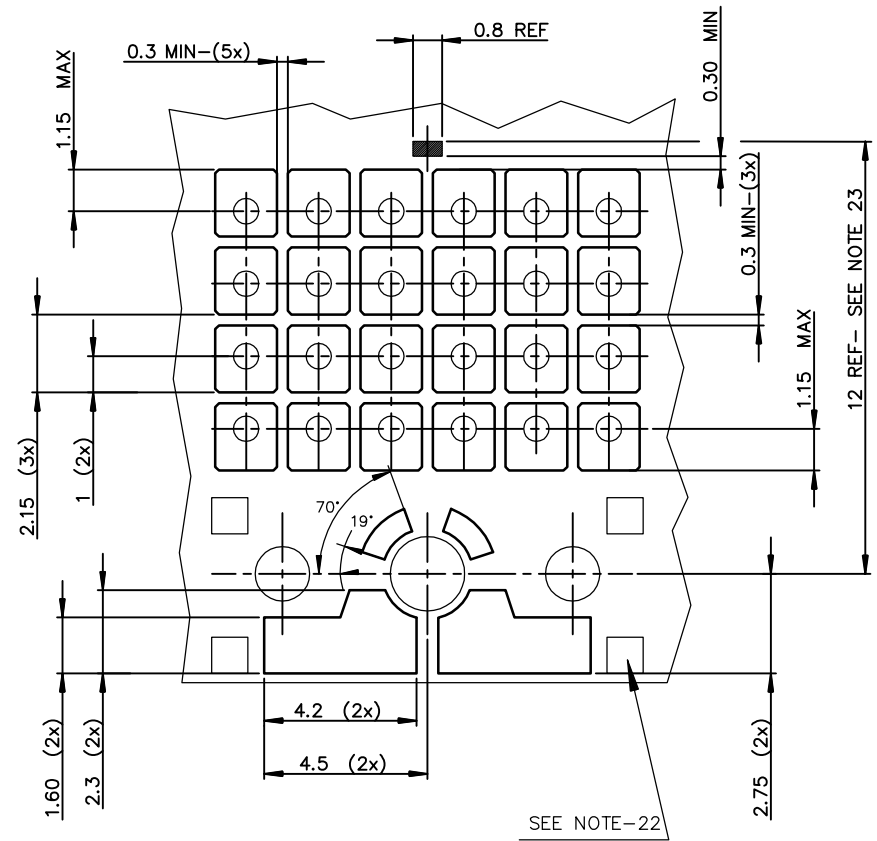


Copyright FCI.

RECOMMENDED PCB LAYOUT



RECOMMENDED STENCIL LAYOUT



Copyright FCI.

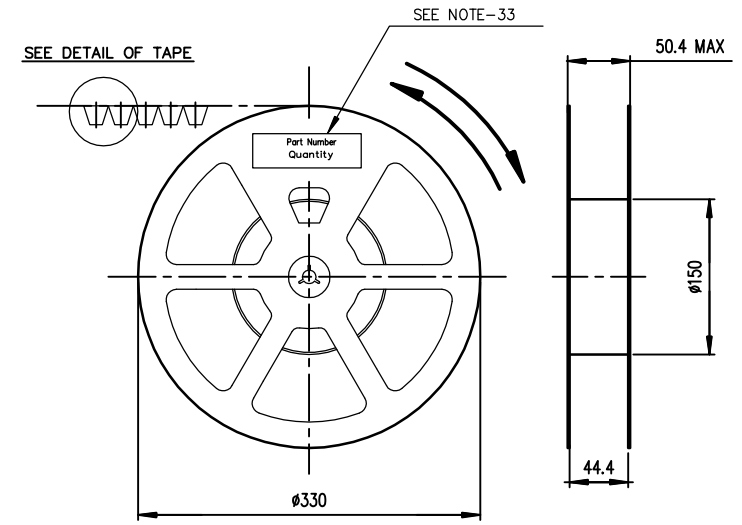
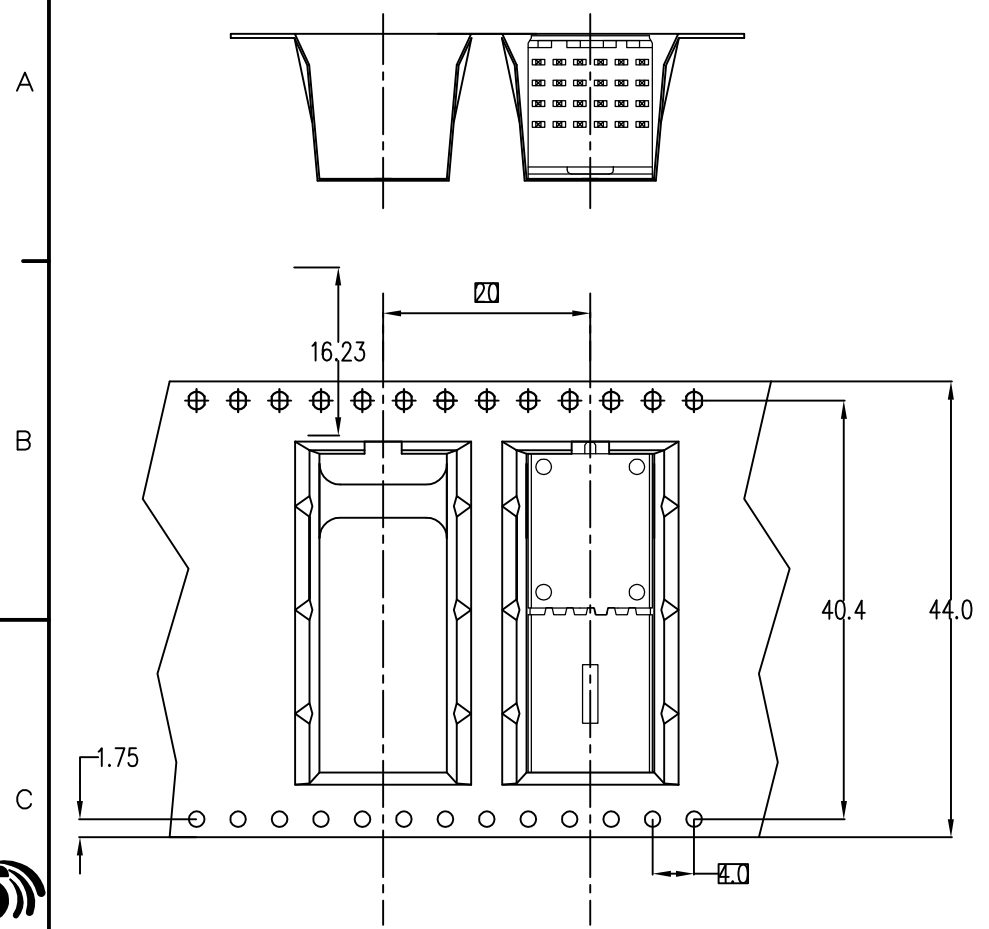
- NOTE-20: PTH DIMENSIONS - ϕ
 - DRILL DIAMETER = (0.85 REF) and Plating
 - See Product Spec : GS-12-446
- NOTE-21: 4 SQUARE REFERENCE PADS
- NOTE-22: NO PASTE ALLOWED ON 4 REFERENCE PADS
- NOTE-23: PRODUCT REAR SUPPORT LOCATION
- NOTE-24: RECOMMENDED PASTE THICKNESS = 0.15

OTHERS INFORMATIONS,SEE DRW SHEET 1/2/4

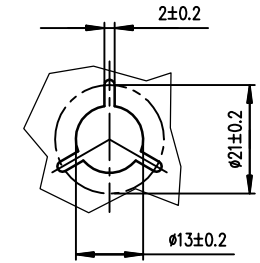
| | | | | |
|---|-------------|---------------------|-----------------------------------|------------------|
| www.fciconnect.com | | surface ISO 1302 | tolerance std ISO 406 ISO 1101 | projection mm |
| TOLERANCES UNLESS OTHERWISE SPECIFIED | | | | |
| Dr | Heaven Cen | 2010/05/21 | ANGULAR | size A3 |
| Eng | Heaven Cen | 2010/05/21 | LINEAR | Scale 7 |
| Chr | PM Zheng | 2010/05/21 | 0.xx' ±2 | ECN |
| Appr | Joseph Hsia | 2010/05/21 | 0.xxx ± | Spec ref - |
| Product family METRAL | | | | Rev. A |
| title METRAL RA HDR PIP CONVERG NB 4X6 - WITH HDF | | dwg no 10114942 | | sheet 3 of 4 |
| catalog no | | CUSTOMER | | |

PACKAGING SPECIFICATION

DETAIL OF REEL SCALE 1/5



DETAIL OF REEL HUB SCALE 1/1



- NOTE-30: REF SPECIFICATION: EIA-481-B
- NOTE-31: TAPE MATERIAL: PVC ANTISTATIC
SURFACE RESISTIVITY 10^{12} OHMS/SQUARE AFTER HEAT FORMING
CARRIER P/N: 10097632-006 COVER TAPE P/N:10097632-007
- NOTE-32: PACKAGING QTY: PACKAGING MATERIAL DETAIL INFORMATION PLEASE REFER TO DRAWING OF 10097632
- QTY PER REEL(P/N:10097632-005) = 120 PCS
- QTY PER BOX (P/N:10097632-004) = 6 REELS = 720 PCS
- NOTE-33: LABEL FOR IDENTIFICATION: PART NUMBER,DATE-CODE,TRACABILITY INFORMATIONS
- NOTE-34: RECYCLABLE MATERIAL FOR REEL + ANTISTATIC TREATMENT

OTHERS INFORMATIONS,SEE DRW 58360 SHEET 1/2/3

European Views

| | | | | | | | | | |
|---------------------------------------|-------------|---------------------------------|----------------|--------------------------------|-------|-----------------|------------|--------------|-----|
| www.fciconnect.com | | surface ISO 1302 ✓ | | tolerance std ISO 406 ISO 1101 | | projection | | mm | |
| TOLERANCES UNLESS OTHERWISE SPECIFIED | | | | | | | | | |
| Dr | Heaven Cen | 2010/05/21 | ANGULAR | LINEAR | 0.X | ±0.3 | size A3 | Scale 2 | ECN |
| Eng | Heaven Cen | 2010/05/21 | | | 0.XX | ±0.13 | | | |
| Chr | PM Zheng | 2010/05/21 | 0.XX* ±2 | | 0.XXX | ±0.051 | | | |
| Appr | Joseph Hsia | 2010/05/21 | Product family | | | METRAL | Spec ref - | | |
| | | title METRAL RA HDR PIP CONVERG | | | | dwg no 10114942 | | Rev. A | |
| | | catalog no - | | | | CUSTOMER | | sheet 4 of 4 | |



Copyright FCI.