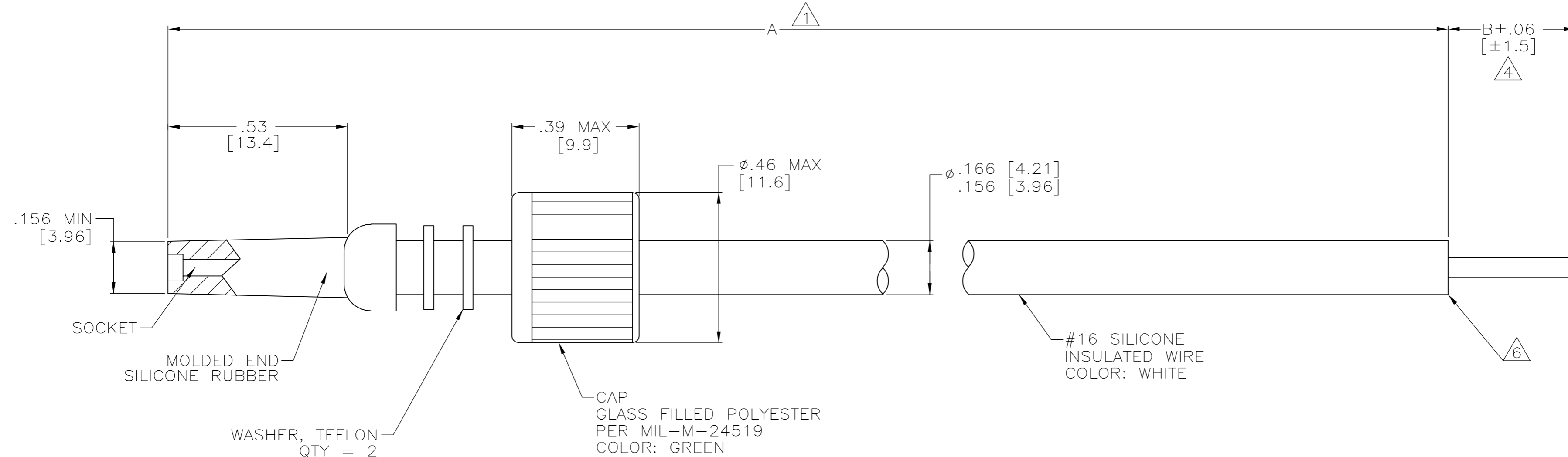


THIS DRAWING IS UNPUBLISHED. RELEASED FOR PUBLICATION - .N/A .
 © COPYRIGHT N/A BY TYCO ELECTRONICS CORPORATION. ALL RIGHTS RESERVED.

LOC	DIST	REVISIONS					
DF	SO	P	LTR	DESCRIPTION	DATE	DWN	APVD
		J		REV PER ECO-05-002828	08-05	AA	DE

PART NO.	A $\triangle 1$	B	CUSTOMER P/N INK STAMPED	REMARKS
867961-1	8.00 [203.2]	.25 [6.3]	301-0002-170	$\triangle 4$
867961-2	6.00 [152.4]	.25 [6.3]	301-0002-200	$\triangle 4$
867961-3	14.00 [355.6]	.38 [9.7]	301-0002-240	$\triangle 4$
867961-4	5.00 [127.0]	.25 [6.3]	301-0002-300	$\triangle 4$ OBSOLETE
5-867961-2	6.00 [152.4]	.25 [6.3]	-	$\triangle 6$

- $\triangle 1$ TOLERANCE OF LEAD LENGTH:
UP TO 24 INCHES [609.6] = ± 1.2 [± 3.0]
24 INCHES [609.6] & UP = $\pm 1\%$
- 2. MARKED PER MIL-STD-130.
- 3. TO MATE WITH AMP LGH-1/2
RECEPTACLE WITH .53 [13.4] BARREL DEPTH.
- $\triangle 4$ WHERE APPLICABLE "B" STRIP LENGTH IS SOLDER DIPPED.
- 5. OPERATING VOLTAGE: 10 KVDC AT 0 TO 70,000 FEET,
-55°C TO 125°C.
- $\triangle 6$ INSULATION CUT, BUT NOT REMOVED.



THIS DRAWING IS A CONTROLLED DOCUMENT.		DWN C.C.THOMAS 13-DEC-89	Tyco Electronics Corporation Harrisburg, Pa 17105-3608																						
DIMENSIONS: INCHES [mm]		CHK D.EABY 27-FEB-90																							
TOLERANCES UNLESS OTHERWISE SPECIFIED:		APVD D.EABY 27-FEB-90	NAME LEAD ASSY SGL MOLDED END LGH-1/2L																						
<table border="1"> <tr><td>0 PLC</td><td>\pm</td><td>-</td></tr> <tr><td>1 PLC</td><td>\pm</td><td>-</td></tr> <tr><td>2 PLC</td><td>\pm</td><td>.02 [0.5]</td></tr> <tr><td>3 PLC</td><td>\pm</td><td>-</td></tr> <tr><td>4 PLC</td><td>\pm</td><td>-</td></tr> <tr><td>ANGLES</td><td>\pm</td><td>-</td></tr> <tr><td>FINISH</td><td>\pm</td><td>-</td></tr> </table>		0 PLC	\pm	-	1 PLC	\pm	-	2 PLC	\pm	.02 [0.5]	3 PLC	\pm	-	4 PLC	\pm	-	ANGLES	\pm	-	FINISH	\pm	-	PRODUCT SPEC APPLICATION SPEC	SIZE A2	CAGE CODE 00779
0 PLC	\pm	-																							
1 PLC	\pm	-																							
2 PLC	\pm	.02 [0.5]																							
3 PLC	\pm	-																							
4 PLC	\pm	-																							
ANGLES	\pm	-																							
FINISH	\pm	-																							
MATERIAL SEE CALLOUTS		WEIGHT -	DRAWING NO C=867961	RESTRICTED TO -																					
		CUSTOMER DRAWING	SCALE 4:1	SHEET 1 OF 1																					