

THIS DRAWING IS UNPUBLISHED. RELEASED FOR PUBLICATION 20
 © COPYRIGHT 20 BY TYCO ELECTRONICS CORPORATION. ALL RIGHTS RESERVED.

LOC	DIST	REVISIONS					
CE	00	P	LTR	DESCRIPTION	DATE	DWN	APVD
			A	RELEASE TO ACTIVE	08JUN2006	BB	SM
			AI	ADD NOTE 7.	12MAY2009	KG	SB

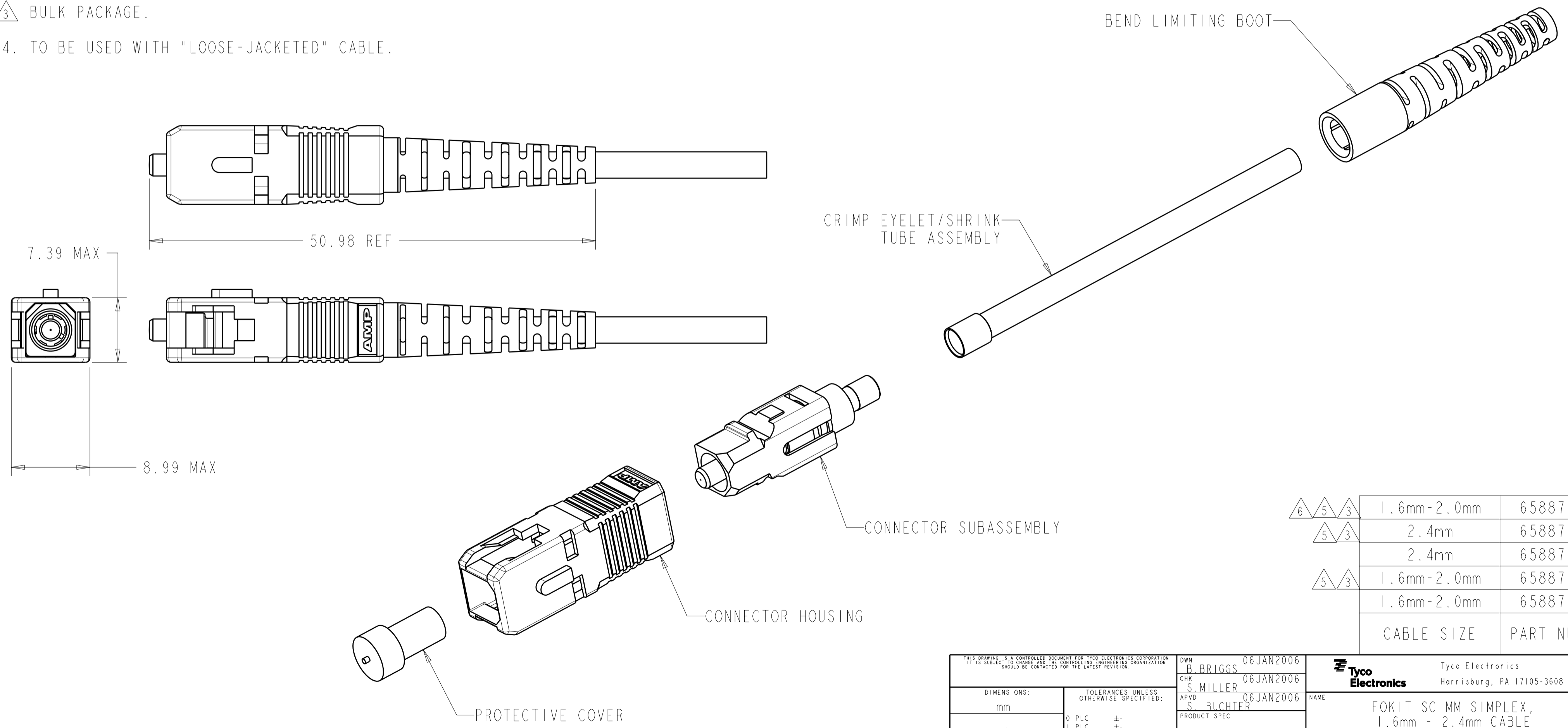
1 MATERIAL:
 PROTECTIVE COVER: LDPE, COLOR: BLACK, NON-FR.
 CONNECTOR HOUSING: PBT-GF17, COLOR: BEIGE.*
 CONNECTOR SUBASSEMBLY:
 PLUG BODY: PES-GF20, COLOR: BEIGE.*
 FERRULE ASSEMBLY: CERAMIC / PBT-GF17, COLOR: BEIGE.*
 EPOXY - FILL TUBING: PVC, COLOR: CLEAR, UL VW-1 RATED.
 SPRING: STAINLESS STEEL.
 RETAINER BODY: ALUMINUM.
 CRIMP EYELET/SHRINK TUBE ASSEMBLY: ALUMINUM/POLYOLEFIN,
 COLOR: WHITE/BLACK (2.4mm), UL VW-1 RATED.
 BEND LIMITING BOOT: PP, COLOR: BEIGE.*
 * UL94 V-0 RATED AT QUALIFYING THICKNESS.

5 KIT CONTAINS NO BOOTS.
 6 KIT CONTAINS NO CRIMP EYELET/SHRINK TUBE ASSEMBLY.
 7. INSTRUCTION SHEET 408-8674 AVAILABLE FOR DOWNLOAD AT
www.tycoelectronics.com/documents OR
www.ampnetconnect.com/foguide.

2 FINISH:
 RETAINER BODY: CLEAR ANODIZE.
 CRIMP EYELET: CLEAR ANODIZE.

3 BULK PACKAGE.

4. TO BE USED WITH "LOOSE-JACKETED" CABLE.



6	5	3	1.6mm-2.0mm	6588715-5
5	3		2.4mm	6588715-4
			2.4mm	6588715-3
5	3		1.6mm-2.0mm	6588715-2
			1.6mm-2.0mm	6588715-1
CABLE SIZE				PART NUMBER

DIMENSIONS:		TOLERANCES UNLESS OTHERWISE SPECIFIED:		DWN		Tyco Electronics	
mm		0 PLC	±	B. BRIGGS	06 JAN 2006	Tyco Electronics Harrisburg, PA 17105-3608	
		1 PLC	±	CHK	S. MILLER	NAME	
		2 PLC	±	APVD	S. BUCHTER	FOKIT SC MM SIMPLEX, 1.6mm - 2.4mm CABLE	
		3 PLC	±	PRODUCT SPEC		SIZE	CAGE CODE
		4 PLC	±	APPLICATION SPEC		A2	00779
		ANGLES	±	WEIGHT		DRAWING NO	RESTRICTED TO
		FINISH		CUSTOMER DRAWING		6588715	-
				SCALE	NTS	SHEET	OF
						1	1
						REV	AI