

THIS DRAWING IS UNPUBLISHED. RELEASED FOR PUBLICATION 20  
 © COPYRIGHT 20 BY TYCO ELECTRONICS CORPORATION. ALL RIGHTS RESERVED.

| LOC | DIST | REVISIONS |     |                   |           |     |      |
|-----|------|-----------|-----|-------------------|-----------|-----|------|
| CE  | 00   | P         | LTR | DESCRIPTION       | DATE      | DWN | APVD |
|     |      |           | A   | RELEASE TO ACTIVE | 08JUN2006 | BB  | SM   |
|     |      |           | AI  | ADD NOTE 7.       | 12MAY2009 | KG  | SB   |

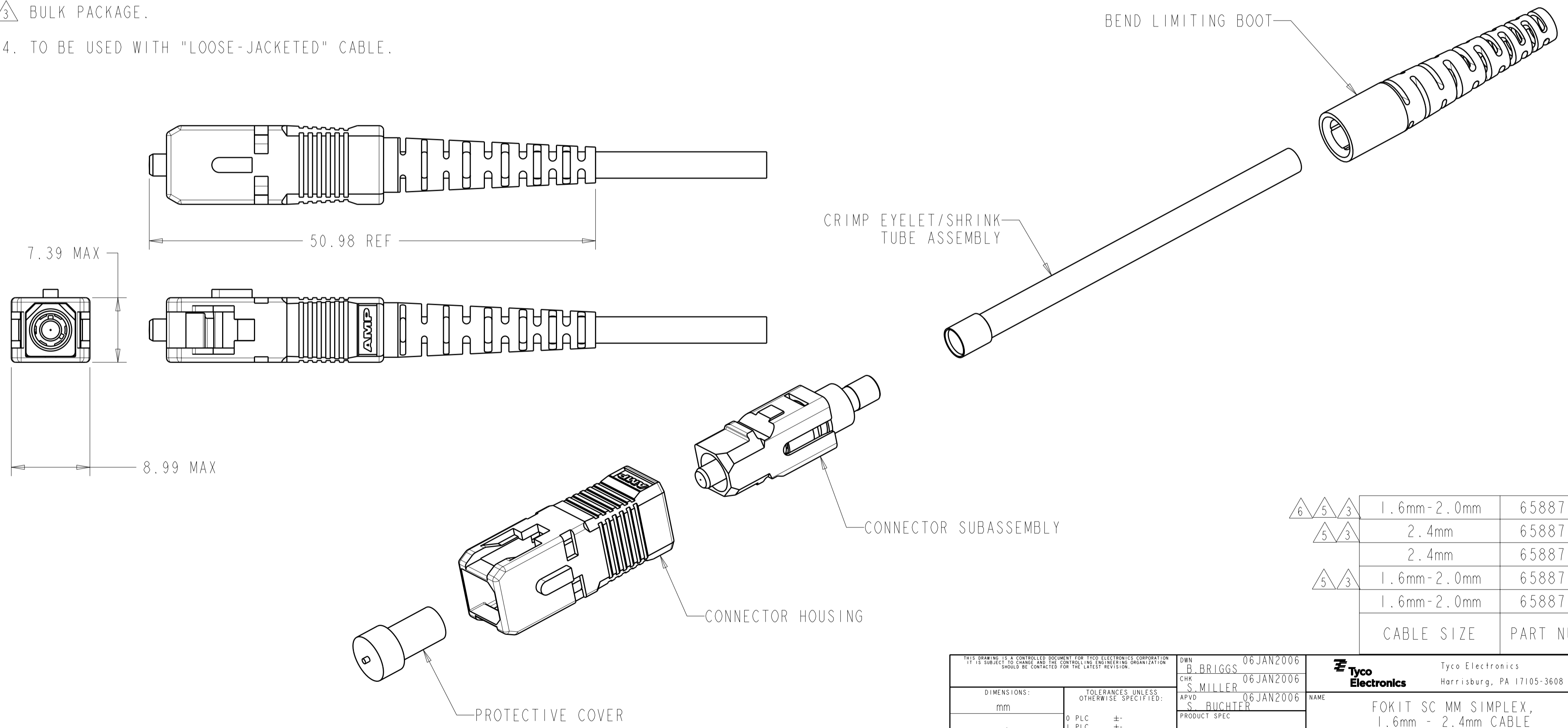
1 MATERIAL:  
 PROTECTIVE COVER: LDPE, COLOR: BLACK, NON-FR.  
 CONNECTOR HOUSING: PBT-GF17, COLOR: BEIGE.\*  
 CONNECTOR SUBASSEMBLY:  
 PLUG BODY: PES-GF20, COLOR: BEIGE.\*  
 FERRULE ASSEMBLY: CERAMIC / PBT-GF17, COLOR: BEIGE.\*  
 EPOXY - FILL TUBING: PVC, COLOR: CLEAR, UL VW-1 RATED.  
 SPRING: STAINLESS STEEL.  
 RETAINER BODY: ALUMINUM.  
 CRIMP EYELET/SHRINK TUBE ASSEMBLY: ALUMINUM/POLYOLEFIN,  
 COLOR: WHITE/BLACK (2.4mm), UL VW-1 RATED.  
 BEND LIMITING BOOT: PP, COLOR: BEIGE.\*  
 \* UL94 V-0 RATED AT QUALIFYING THICKNESS.

5 KIT CONTAINS NO BOOTS.  
 6 KIT CONTAINS NO CRIMP EYELET/SHRINK TUBE ASSEMBLY.  
 7. INSTRUCTION SHEET 408-8674 AVAILABLE FOR DOWNLOAD AT  
[www.tycoelectronics.com/documents](http://www.tycoelectronics.com/documents) OR  
[www.ampnetconnect.com/foguide](http://www.ampnetconnect.com/foguide).

2 FINISH:  
 RETAINER BODY: CLEAR ANODIZE.  
 CRIMP EYELET: CLEAR ANODIZE.

3 BULK PACKAGE.

4. TO BE USED WITH "LOOSE-JACKETED" CABLE.



| 6 | 5 | 3 | CABLE SIZE  | PART NUMBER |
|---|---|---|-------------|-------------|
| △ | △ | △ | 1.6mm-2.0mm | 6588715-5   |
| △ | △ | △ | 2.4mm       | 6588715-4   |
|   |   |   | 2.4mm       | 6588715-3   |
| △ | △ | △ | 1.6mm-2.0mm | 6588715-2   |
|   |   |   | 1.6mm-2.0mm | 6588715-1   |

|   |  |                                   |   |                    |
|---|--|-----------------------------------|---|--------------------|
| THIS DRAWING IS A CONTROLLED DOCUMENT FOR TYCO ELECTRONICS CORPORATION. IT IS SUBJECT TO CHANGE AND THE CONTROLLING ENGINEERING ORGANIZATION SHOULD BE CONTACTED FOR THE LATEST REVISION. |  | DWN<br>B. BRIGGS<br>06 JAN 2006   | Tyco Electronics<br>Harrisburg, PA 17105-3608       |                    |
| DIMENSIONS:<br>mm   |  | CHK<br>S. MILLER<br>06 JAN 2006   | NAME<br>FOKIT SC MM SIMPLEX,<br>1.6mm - 2.4mm CABLE |                    |
| TOLERANCES UNLESS OTHERWISE SPECIFIED:<br>0 PLC ±<br>1 PLC ±<br>2 PLC ±<br>3 PLC ±<br>4 PLC ±<br>ANGLES ±<br>FINISH   |  | APVD<br>S. BUCHTER<br>06 JAN 2006 | RESTRICTED TO                                       |                    |
| MATERIAL  |  | PRODUCT SPEC                      | SIZE<br>A2  | CAGE CODE<br>00779 |
| 1   |  | APPLICATION SPEC                  | DRAWING NO<br>6588715                               | REV<br>AI          |
| 2   |  | WEIGHT                            | SCALE<br>NTS  |                    |
| CUSTOMER DRAWING  |  | SHEET 1 OF 1                      |   |                    |