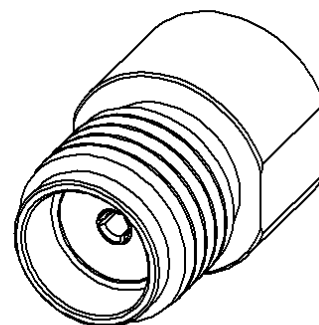
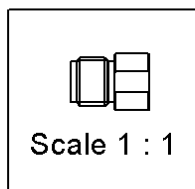
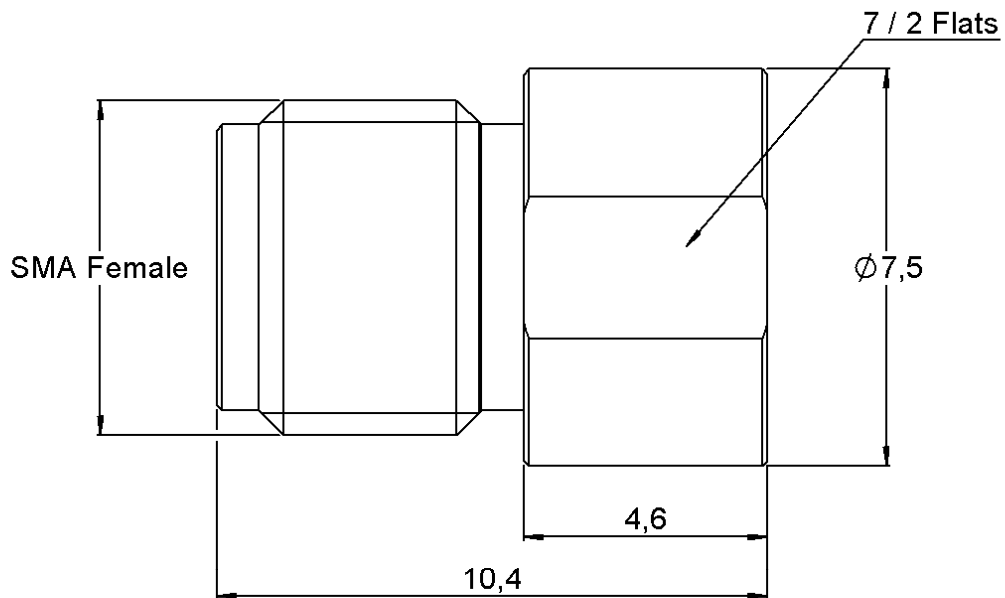
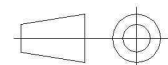


PAGE 1/2	ISSUE 1409A	SERIES TERMINATION	PART NUMBER R404N04000
----------	-------------	-----------------------	------------------------



All dimensions are in mm.



COMPONENTS	MATERIALS	PLATING (µm)
Body	STAINLESS STEEL	GOLD OVER NICKEL
Center contact	BERYLLIUM COPPER	GOLD OVER NICKEL
Outer contact	-	-
Insulator	PTFE	
Gasket	-	
Substrate	ALUMINA CERAMIC	
Resistor	THICK FILM	
Others parts	-	-

PAGE 2/2	ISSUE 1409A	SERIES TERMINATION	PART NUMBER R404N04000
----------	-------------	-----------------------	------------------------

ELECTRICAL CHARACTERISTICS

Frequency (GHz)	DC - 8	8 - 12.4	12.4 - 22	22 - 26.5
V.S.W.R (≤)	1.10	1.15	1.20	1.35

Operating Frequency Range	DC - 26.5	GHz
Impedance	50	Ω
DC Resistance	50	Ω ± 5%
Peak power at 25°C (1μs, 1% o)	100	W
Average power at 25°C	2 *	W (Free Air Cooled) W (Conduction Cooled)

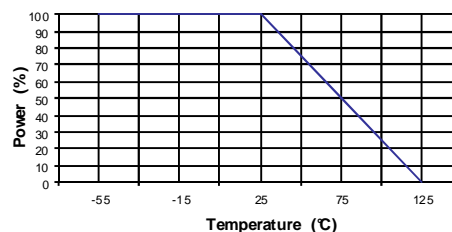
MECHANICAL CHARACTERISTICS

Connectors	SMA	Female	MIL C 39012
Weight	2,1400 g		

ENVIRONMENTAL CHARACTERISTICS

Operating temperature range	-55/+125	°C
Storage temperature range	-55/+125	°C

Power derating Versus temperature



SPECIFICATION

OTHER CHARACTERISTICS

IP67 in mated conditions

*** Compliant with endurance requirement per MIL DTL 39030**