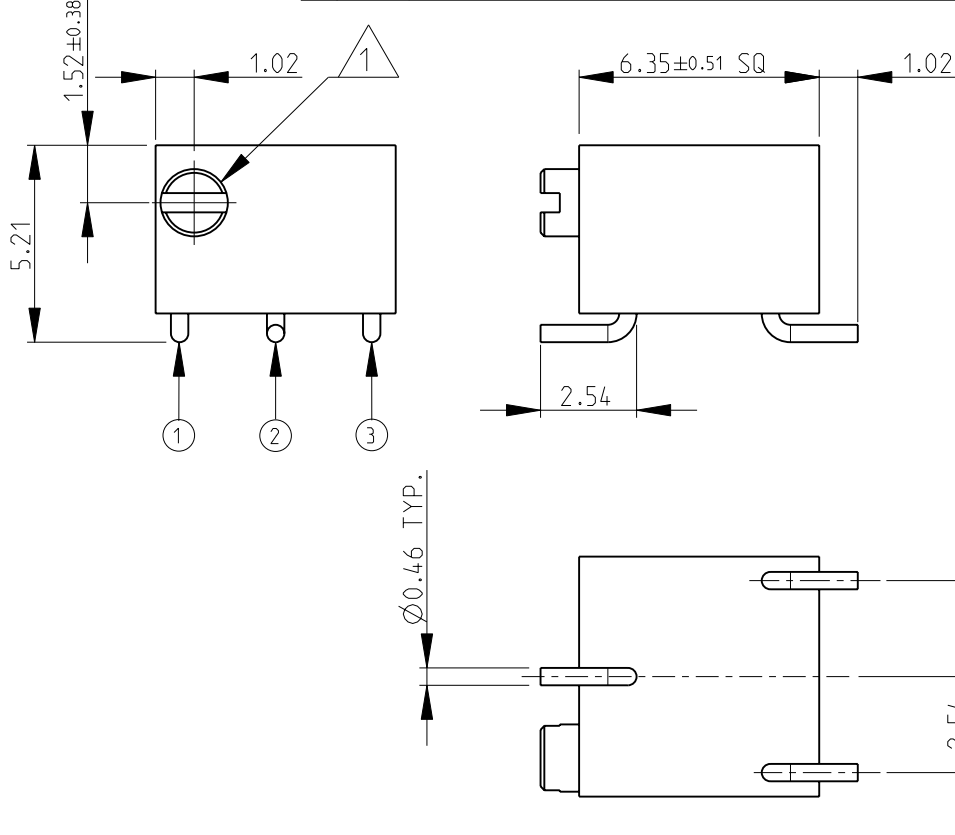
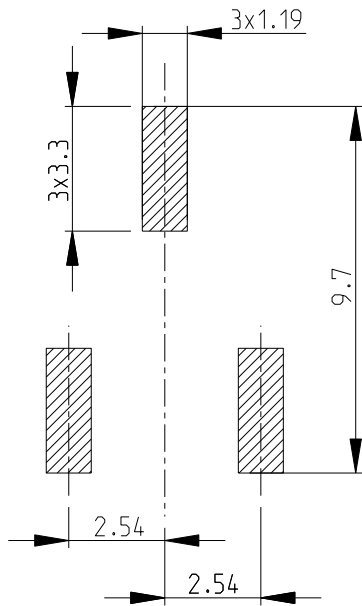


LOC	DIST	REVISIONS					
E	B	P	LTR	DESCRIPTION	DATE	DWN	APVD
		BA		NEW RELEASE	13-NOV-08	SM	St.P

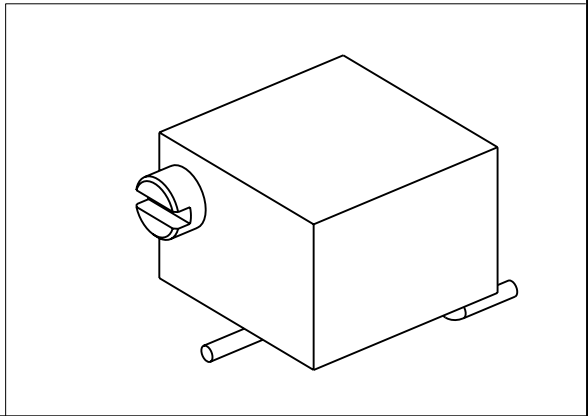


RECOMMENDED LAND PATTERN



- 1 ADJUSTMENT SLOT: \varnothing 1.78mm, WIDTH- 0.51mm, DEPTH- 0.51mm
- 2 FOR FURTHER INFORMATION SEE DATA SHEET FOR 3270 SERIES-SMD PROFESSIONAL TRIMMERS

RoHS Compliant



2008

RELEASED FOR PUBLICATION

THIS DRAWING IS UNPUBLISHED.

BY TYCO ELECTRONICS CORPORATION. ALL RIGHTS RESERVED.
COPYRIGHT 2008

DIMENSIONS: mm	DWN	SUBHASH.M	13-NOV-08	MATERIAL	-	FINISH	-
	CHK	PRAKASH.S	13-NOV-08	Tyco Electronics Corporation Dorcan, Swindon, SN3 5HH			
TOLERANCES UNLESS OTHERWISE SPECIFIED:	APVD	STEPHEN.P	13-NOV-08				
0 PLC ± 0.2	PRODUCT SPEC	-	NAME	SMD PROFESSIONAL TRIMMERS SERIES 3270P			
1 PLC ± 0.1	APPLICATION SPEC	-	SIZE	CAGE CODE	DRAWING NO	RESTRICTED TO	
2 PLC \pm			A 4	00779	C= 1623911	-	
3 PLC \pm	WEIGHT	0.4g max.	CUSTOMER DRAWING				
4 PLC \pm			SCALE	5:1	SHEET	1 OF 1	REV
ANGLES ± 5							BA