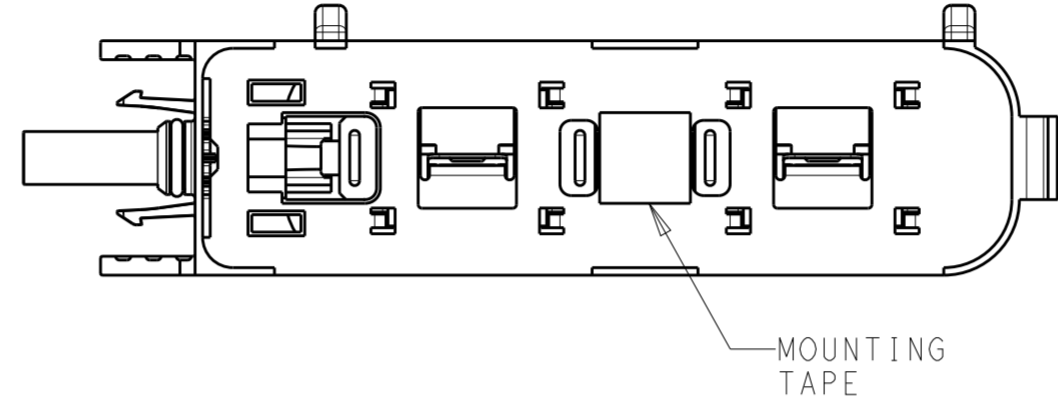


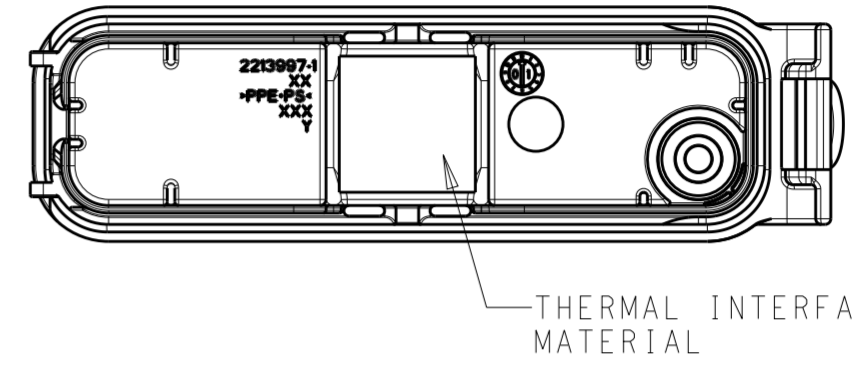
THIS DRAWING IS UNPUBLISHED. RELEASED FOR PUBLICATION  
 © COPYRIGHT copyright.d8te- ALL RIGHTS RESERVED.

REVISIONS				
P	LTR	DESCRIPTION	DATE	APVD
	A	RELEASED FOR PRODUCTION	23OCT2017	RK PO

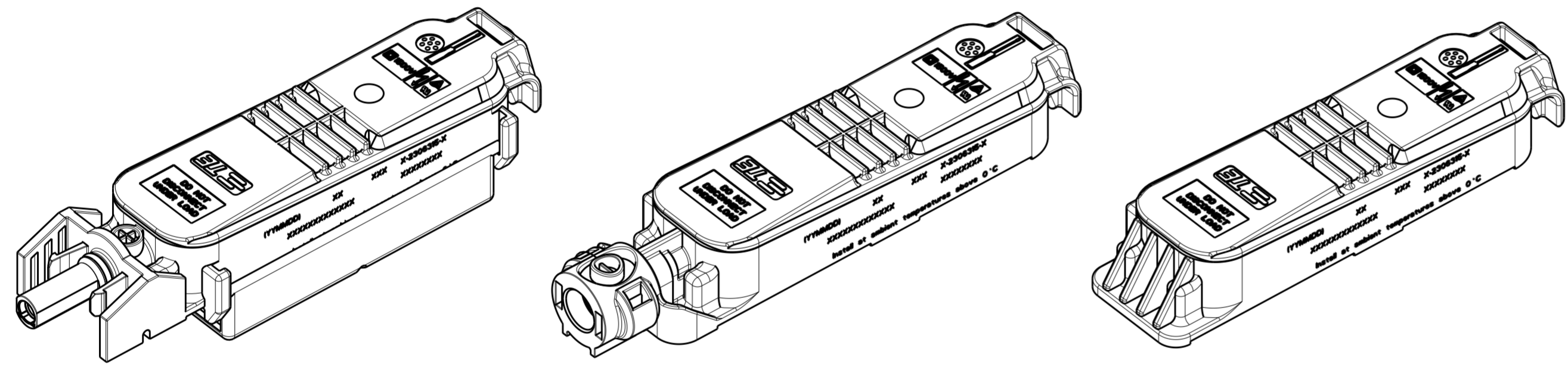
- NOTES:
- ① LID NOT ASSEMBLED WITH LOWER PART. ENCLOSED LOOSELY
  - ② FLAP NOT ASSEMBLED WITH LOWER PART. ENCLOSED LOOSELY
  - ③ PART NUMBER.
  - ④ PRODUCTION DATE (YYMMDD)
  - ⑤ MANUFACTURING LOCATION CODE.
  - ⑥ OMEGA CLIP AS LOOSE PIECE IN BOX, PRODUCT SPEC. 108-94176
  - ⑦ MODEL CODE ACCORDING TE-SPEC. 404-74000-1
  - ⑧ CONSECUTIVE SERIAL NUMBER
  - ⑨ TEST EQUIPMENT NUMBER
  - ⑩ DIODES WELDED ON CONTACT RAIL
11. MUST COMPLY WITH DIRECTIVE 2002/95/EC (ROHS).  
 12. THIS PRODUCT HAS NOT COMPLETED VALIDATION TESTING.



BOTTOM VIEW OF TYPICAL ASSEMBLY WHEN MOUNTING TAPE IS APPLIED



BOTTOM VIEW OF LID SUBASSEMBLY WHEN THERMAL INTERFACE MATERIAL IS APPLIED



BLACK	PPE+PS	EDGE FLAP	12/2
TIN OVER NICKEL	COPPER ALLOY	INTERFACE CONTACT-SOCKET	11
TIN OVER NICKEL	COPPER ALLOY	INTERFACE CONTACT-PIN	10
-	-	THERMAL INTERFACE MATERIAL	9
-	-	BYPASS DIODE: TYPE SL2020A	8
GRAY	PPE+PS	MEMBRANE RETAINER	7
-	-	MEMBRANE VENT	6
PLAIN	STAINLESS STEEL	OMEGA CLIP	5/6
TIN	COPPER ALLOY	CONTACT RAIL	4
BLACK	PPE+PS	BOX, LOWER HOUSING	3
RED	SILICONE	O-RING SEAL	2
BLACK	PPE+PS	BOX, LID	1/1
COLOR/FINISH	MATERIAL	DESCRIPTION	ITEM NO.

PVEDGE2GGA1V_1	36.0	NORTH/SOUTH	YES	YES	3-2306316-5
PVEDGE2DGA1V_1	55.2	NORTH/SOUTH	YES	YES	3-2306316-2
PVEDGE2FGA1V_1	58.7	NORTH/SOUTH	YES	YES	3-2306316-1
PVEDGE2GGA1V_1	36.0	NORTH/SOUTH	NO	YES	2-2306316-5
PVEDGE2DGA1V_1	55.2	NORTH/SOUTH	NO	YES	2-2306316-2
PVEDGE2FGA1V_1	58.7	NORTH/SOUTH	NO	YES	2-2306316-1
PVEDGE2GGA1T_1	36.0	NORTH/SOUTH	YES	NO	1-2306316-5
PVEDGE2DGA1T_1	55.2	NORTH/SOUTH	YES	NO	1-2306316-2
PVEDGE2FGA1T_1	58.7	NORTH/SOUTH	YES	NO	1-2306316-1
PVEDGE2GGA1T_1	36.0	NORTH/SOUTH	NO	NO	2306316-5
PVEDGE2DGA1T_1	55.2	NORTH/SOUTH	NO	NO	2306316-2
PVEDGE2FGA1T_1	58.7	NORTH/SOUTH	NO	NO	2306316-1
Model Code ⑦	DIM X	PV PANEL FOIL DIRECTION	MOUNTING TAPE	THERMAL INTERFACE MATERIAL	PART NO.

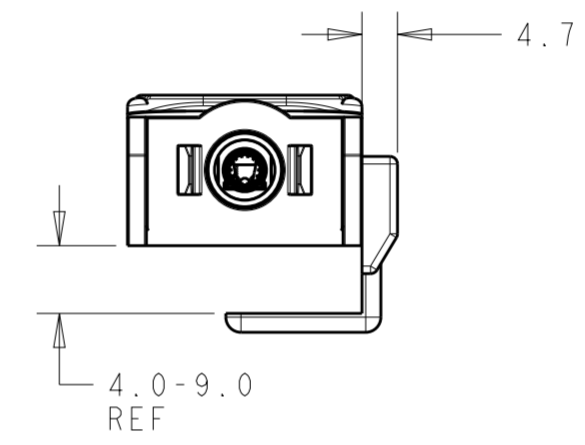
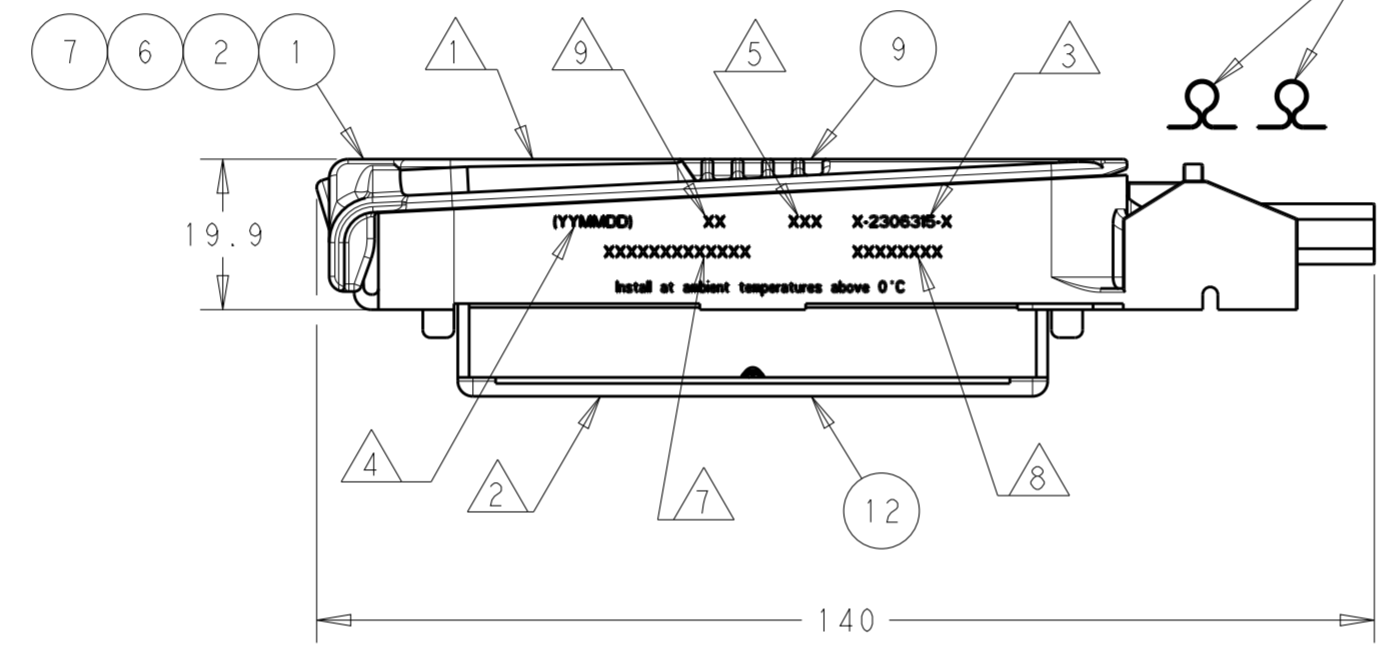
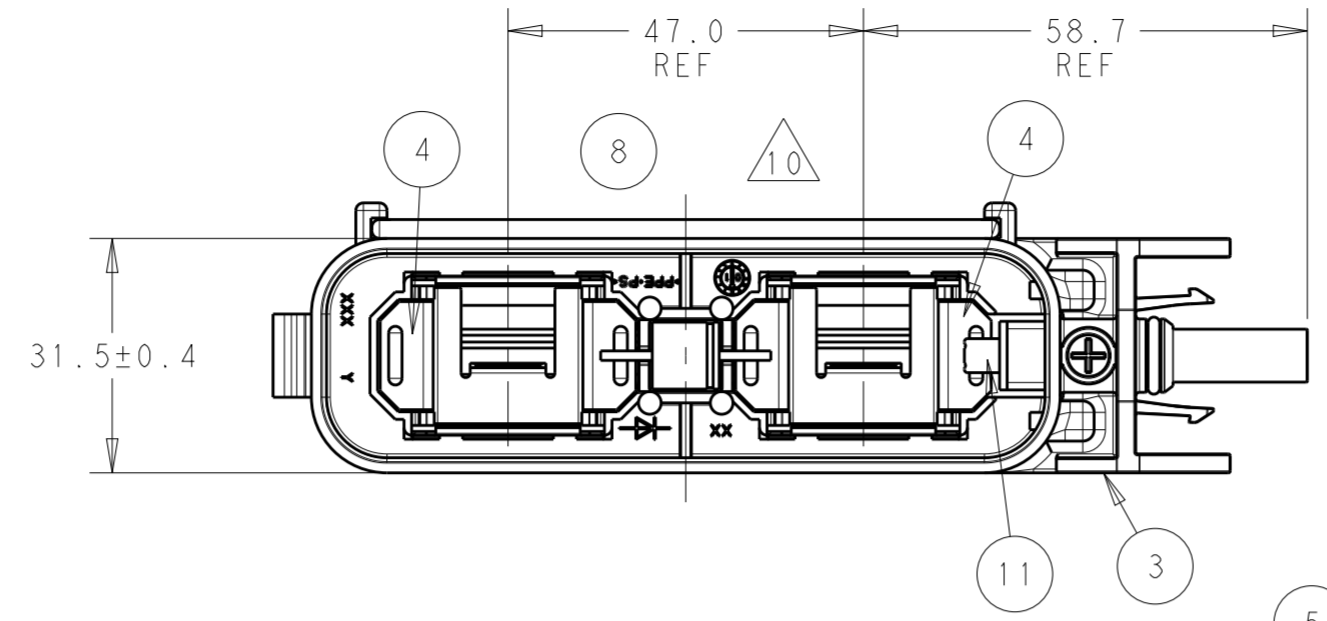
THIS DRAWING IS A CONTROLLED DOCUMENT.

DIMENSIONS: mm	TOLERANCES UNLESS OTHERWISE SPECIFIED:	DWN RAVLS 13AUG2016	 TE Connectivity
	0 PLC ±0.50	CHK GINGRICH CHUCK 13AUG2016	
	1 PLC ±0.25	APVD GINGRICH CHUCK 13AUG2016	
	2 PLC ±0.13	PRODUCT SPEC 108-32122	
MATERIAL	3 PLC ±	APPLICATION SPEC 114-32157	NAME PV EDGE ASSEMBLY, WITH FLAP, OMEGA-CLIP
①	4 PLC ANGLES ±	WEIGHT -	SIZE A2
	FINISH	CUSTOMER DRAWING	SCALE 5:1 SHEET 1 OF 3 REV A

THIS DRAWING IS UNPUBLISHED. RELEASED FOR PUBLICATION  
 © COPYRIGHT copyright.d8te ALL RIGHTS RESERVED.

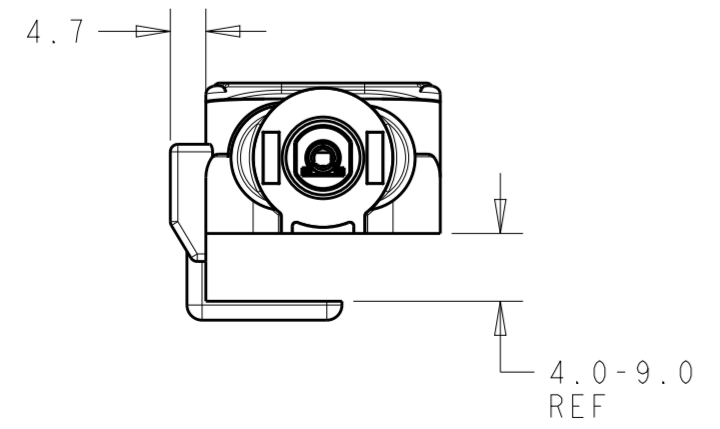
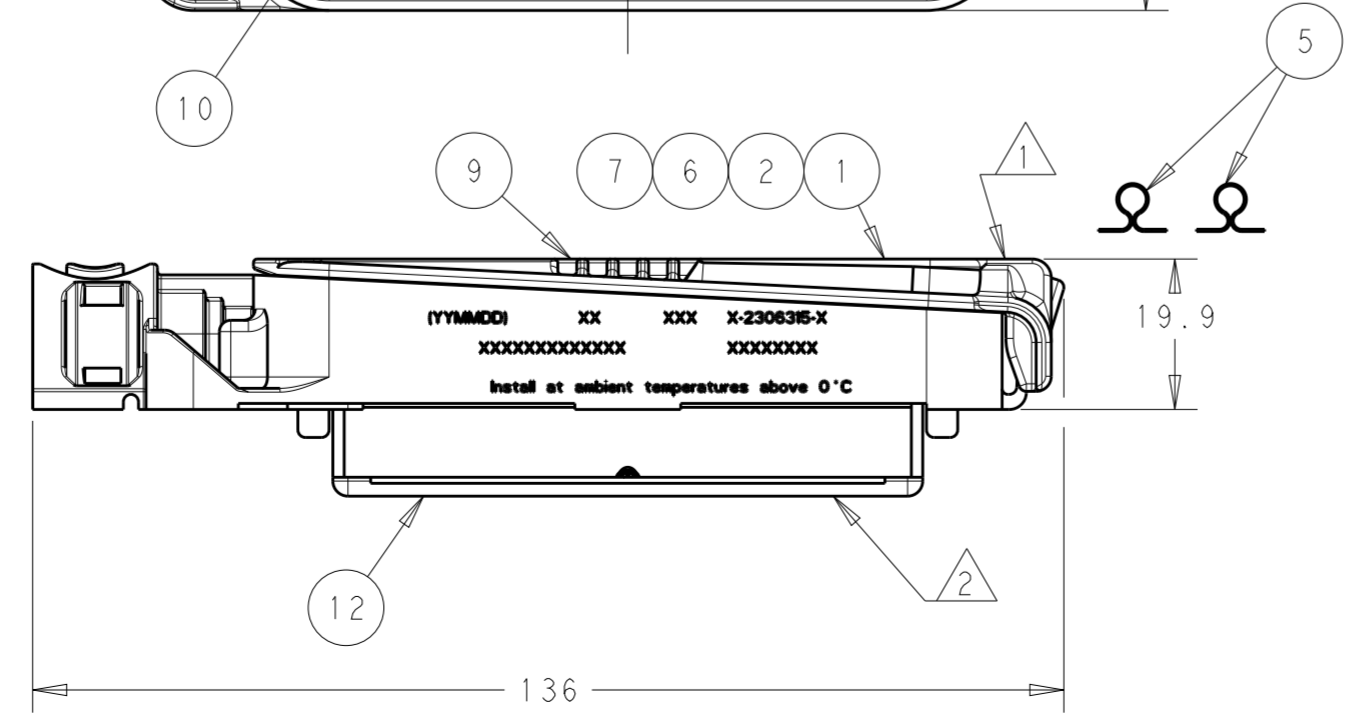
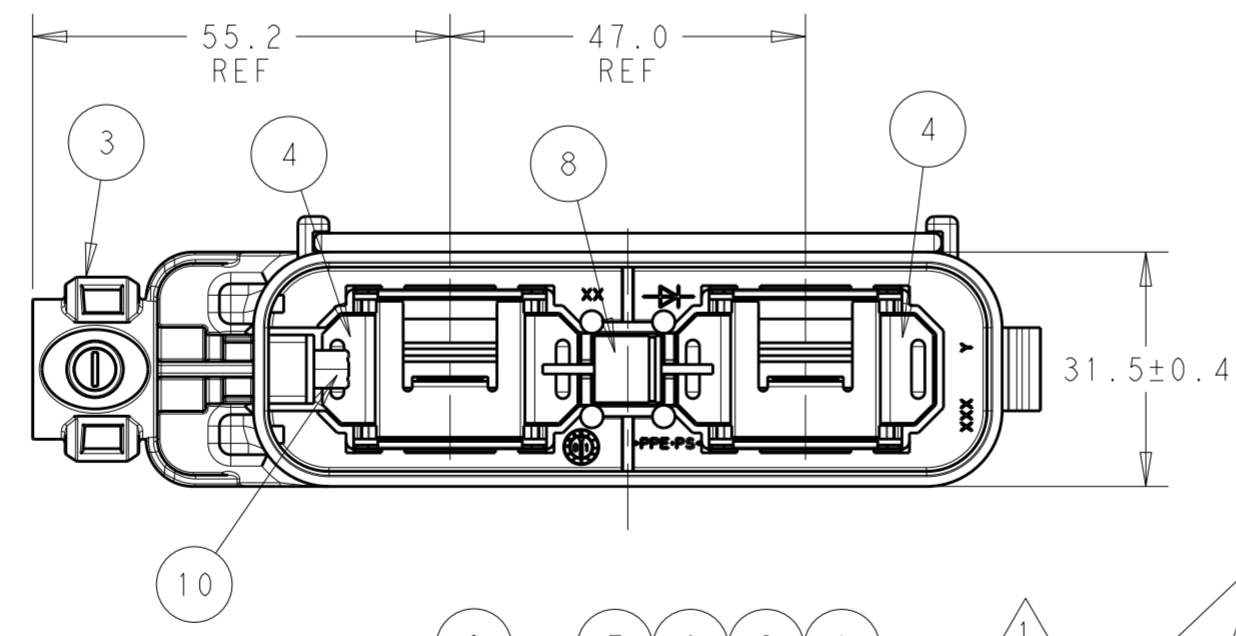
REVISIONS				
P	LTR	DESCRIPTION	DATE	APVD
-		SEE SHEET 1	-	-

LID NOT SHOWN FOR REFERENCE ONLY



- 2306316-1
- 1-2306316-1
- 2-2306316-1
- 3-2306316-1
- SHOWN

LID NOT SHOWN FOR REFERENCE ONLY



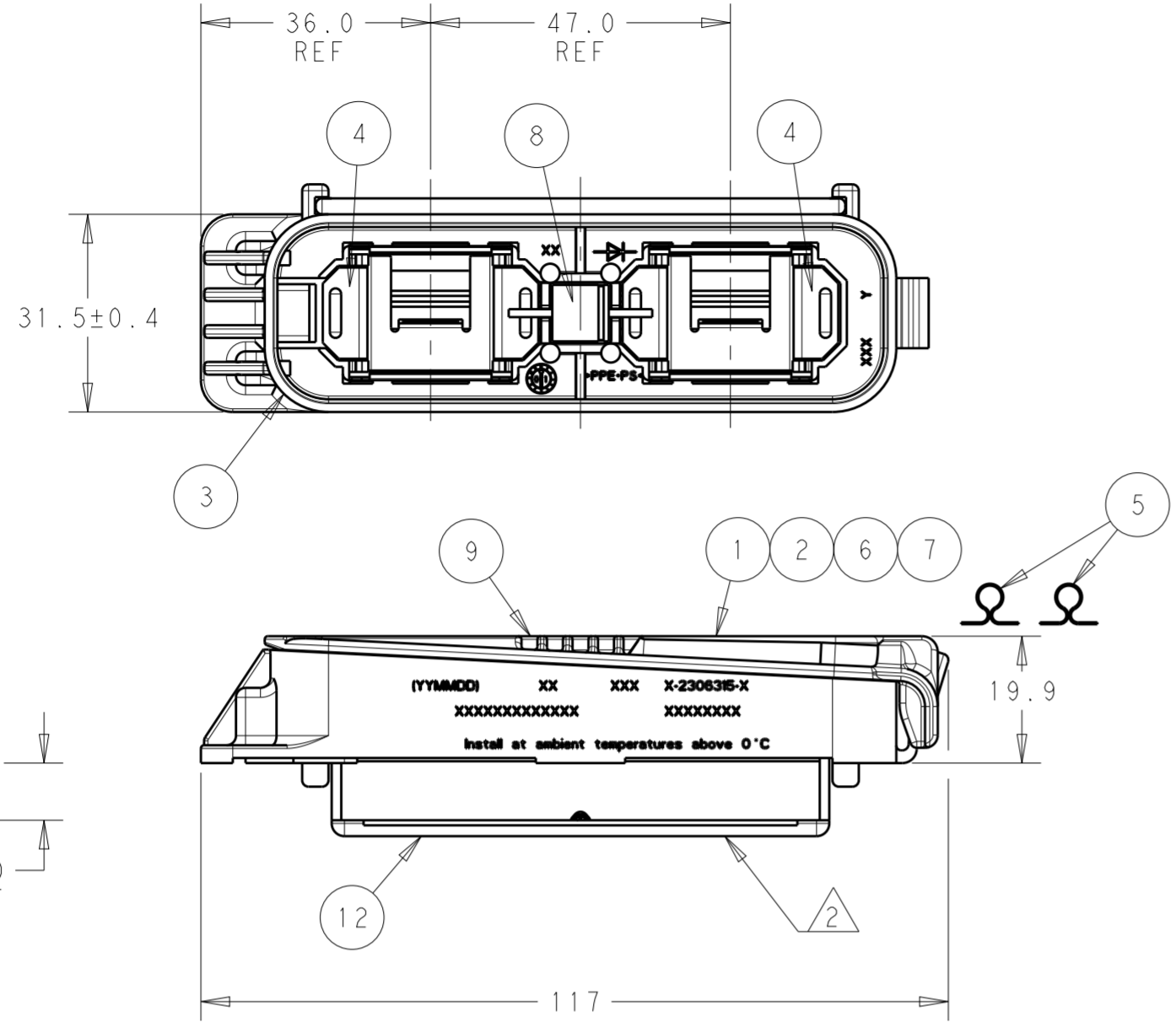
- 2306316-2
- 1-2306316-2
- 2-2306316-2
- 3-2306316-2
- SHOWN

THIS DRAWING IS A CONTROLLED DOCUMENT.		DWN RAVLS 13AUG2016	TE Connectivity
DIMENSIONS: mm		CHK GINGRICH CHUCK 13AUG2016	
TOLERANCES UNLESS OTHERWISE SPECIFIED:		APVD GINGRICH CHUCK 13AUG2016	NAME PV EDGE ASSEMBLY, WITH FLAP, OMEGA-CLIP
0 PLC ±0.50		PRODUCT SPEC 108-32122	SIZE A2
1 PLC ±0.25		APPLICATION SPEC 114-32157	CAGE CODE C-2306316
2 PLC ±0.13		WEIGHT -	DRAWING NO C-2306316
3 PLC ±		CUSTOMER DRAWING	RESTRICTED TO -
4 PLC ±		SCALE 5:1	SHEET 2 OF 3
ANGLES ±			REV A
FINISH ±			

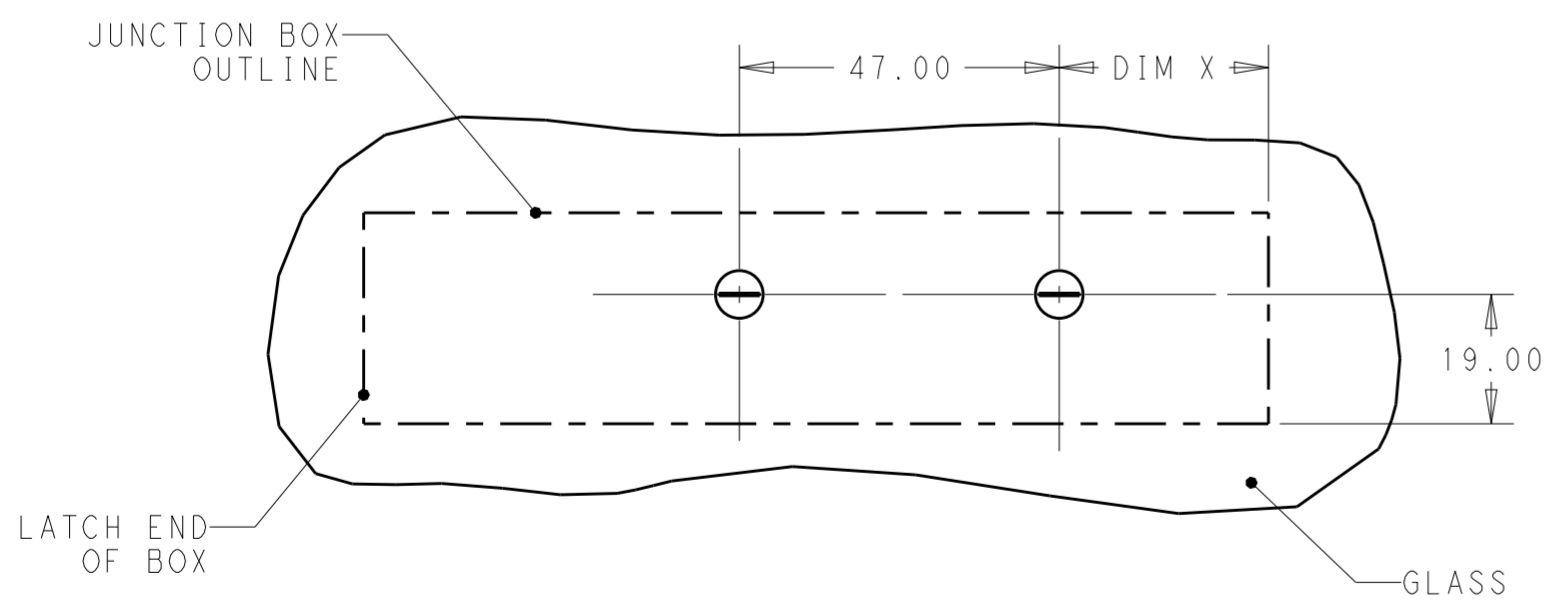
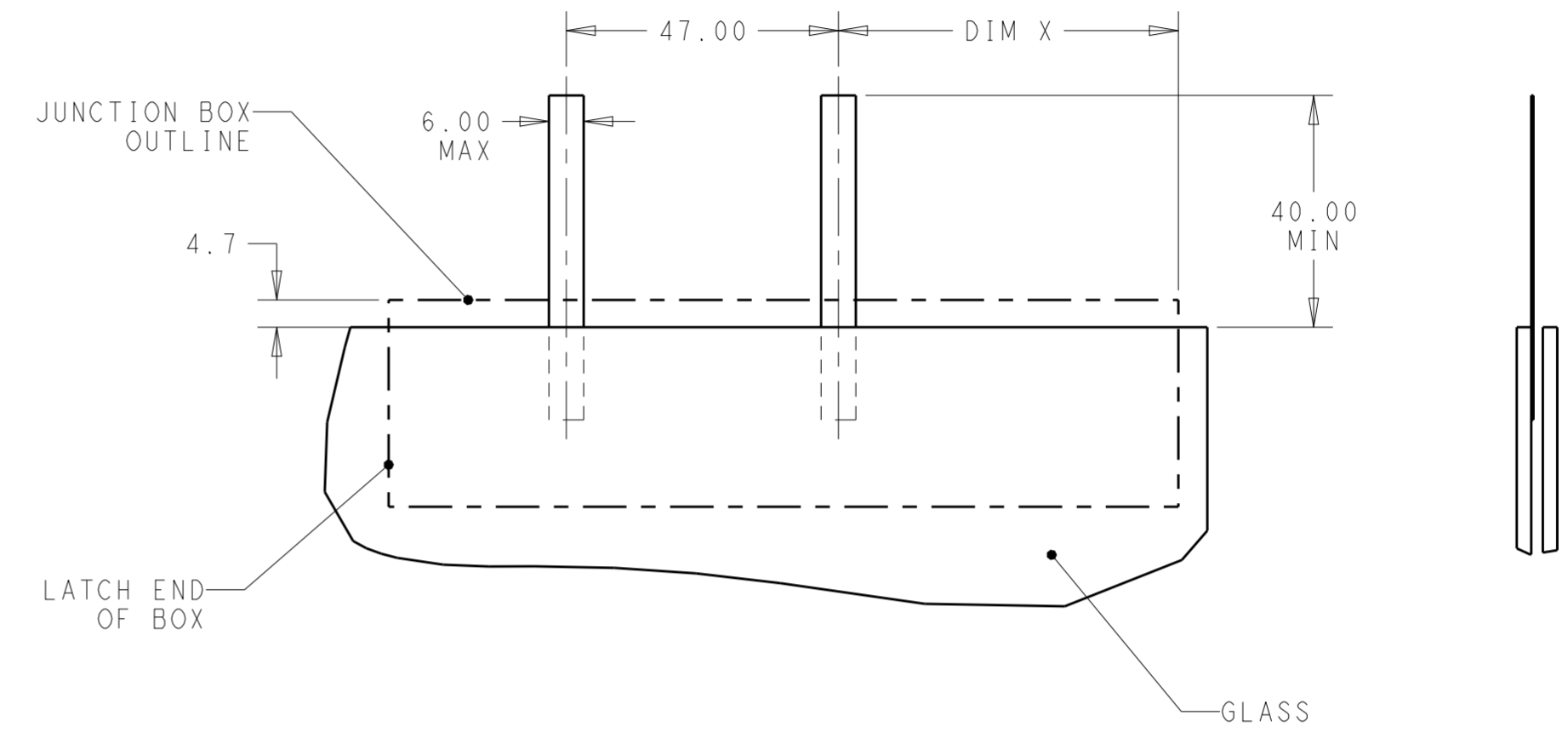
THIS DRAWING IS UNPUBLISHED. RELEASED FOR PUBLICATION. ALL RIGHTS RESERVED. COPYRIGHT copyright.d8te-

REVISIONS				
P	LTR	DESCRIPTION	DATE	APVD
-	-	SEE SHEET 1	-	-

LID NOT SHOWN FOR REFERENCE ONLY

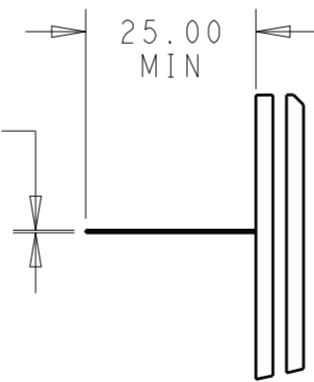


- 2306316-5
  - 1-2306316-5
  - 2-2306316-5
  - 3-2306316-5
- SHOWN

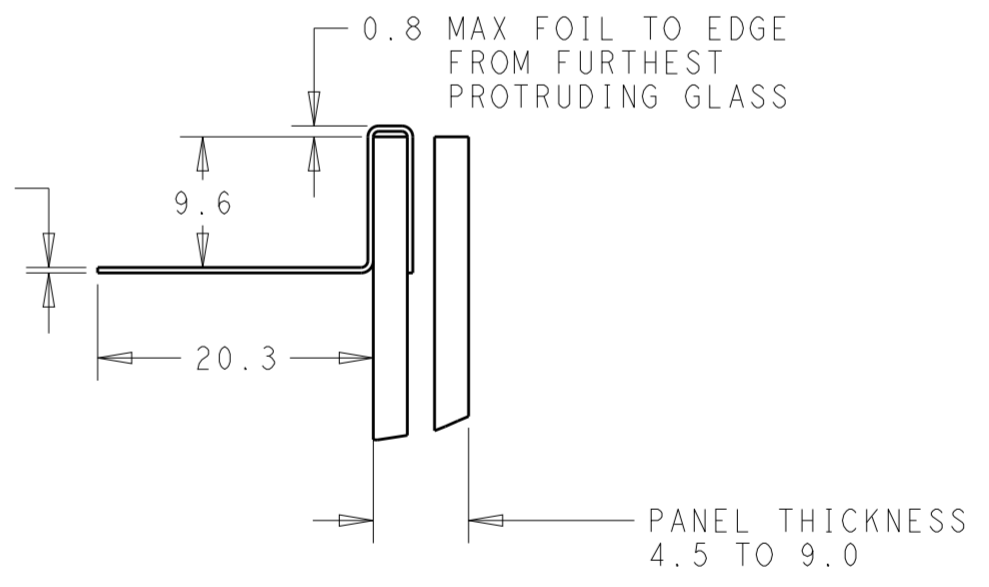


RECOMMENDED NON-EDGE MOUNT (NORTH-SOUTH PV PANEL FOIL ORIENTATION)

SEE 114-32157 FOR FOIL THICKNESS RANGE



SEE 114-32157 FOR FOIL THICKNESS RANGE



AS FORMED READY FOR ASSEMBLY OF JUNCTION BOX

THIS DRAWING IS A CONTROLLED DOCUMENT.		DWN RAVLS 13AUG2016	 TE Connectivity	
DIMENSIONS: mm		CHK GINGRICH CHUCK 13AUG2016		
TOLERANCES UNLESS OTHERWISE SPECIFIED:		APVD GINGRICH CHUCK 13AUG2016	NAME PV EDGE ASSEMBLY, WITH FLAP, OMEGA-CLIP	
0 PLC ±0.50	1 PLC ±0.25	PRODUCT SPEC 108-32122	SIZE A2	CAGE CODE C-2306316
2 PLC ±0.13	3 PLC ±	APPLICATION SPEC 114-32157	DRAWING NO C-2306316	RESTRICTED TO -
4 PLC ±	ANGLES ±	WEIGHT -	SCALE 5:1	SHEET 3 OF 3
MATERIAL FINISH		CUSTOMER DRAWING	REV A	