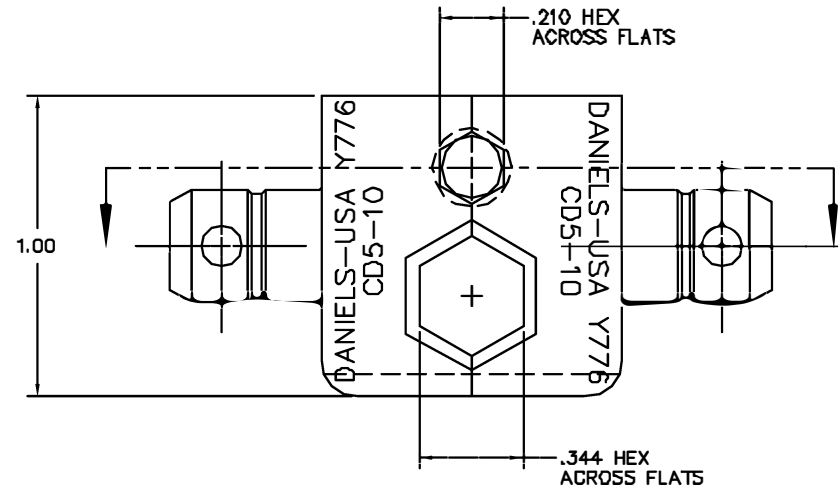
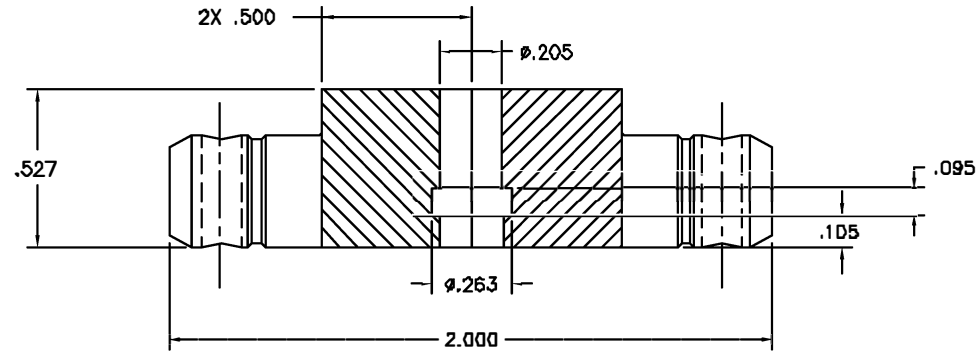


REVISIONS				
REV. STA.	E.D. NO. NUMBER	DESCRIPTION	BY DATE	APP'D DATE
3		UPDATED PER ECO	4-17-88	4-28



**UNCONTROLLED DOCUMENT
WILL NOT BE UPDATED**

RESTRICTED & CONFIDENTIAL CONFIDENTIAL PROPERTY OF DANIELS MANUFACTURING CORP. NOT TO BE DISCLOSED TO OTHERS, REPRODUCED OR USED FOR ANY OTHER PURPOSE EXCEPT AS AUTHORIZED IN WRITING BY DANIELS MANUFACTURING. MUST BE RETURNED TO DANIELS MANUFACTURING CORP. ON COMPLETION OF ORDER BY OTHER PURPOSE FOR WHICH SENT.	MATERIAL	ITEM	PART NO.	QTY.	DESCRIPTION/REMARKS
	HEAT TREAT	DATE	DATE	DATE	DATE
DO NOT SCALE DRAWING	FINISH	NOTE:		WHERE USED:	
		THIS DRAWING IS AN OUTLINE DRAWING OF THE RESPECTIVE DMC PART NUMBER INDICATED. ACTUAL DMD PART NUMBER IS DRAWING NUMBER WITHOUT THE "DMV" SUFFIX.	DMC FILE NO. Y776-ENV	SHEET OF 1	REV. 3