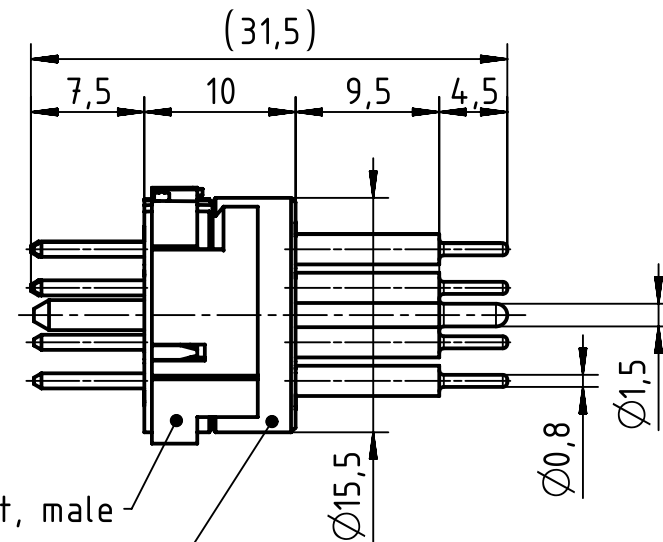
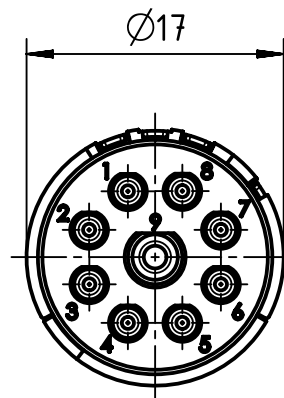
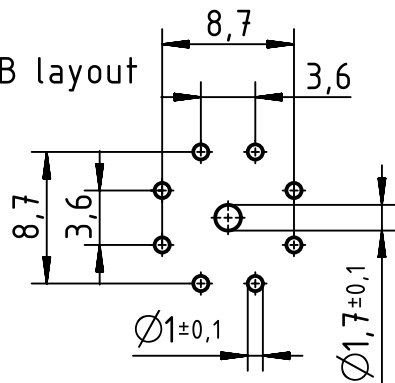
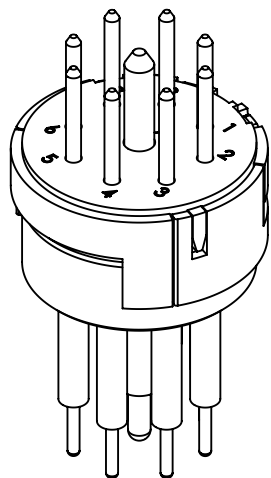


PCB layout




upper part, male

bottom part, male



8x1mm and 1x2mm contacts

	All rights reserved Department EL PD - DE	All Dimensions in mm Original Size DIN A4		Scale 2:1	Free size tol.		Ref.	
		HARTING Electric GmbH & Co. KG D-32339 Espelkamp		Created by HELLMANN	Inspected by RIEPE	Standardisation RUETERA	Date 2017-02-23	State Final Release
Title Han M23 09 Male -soldered contact							Doc-Key / ECM-Nr. 100709309/UGD/000/A 500000115496	
				Type TB	Number 09 15 109 2603		Rev. A	Page 1/1

Mouser Electronics

Authorized Distributor

Click to View Pricing, Inventory, Delivery & Lifecycle Information:

[HARTING:](#)

[09151092603](#)