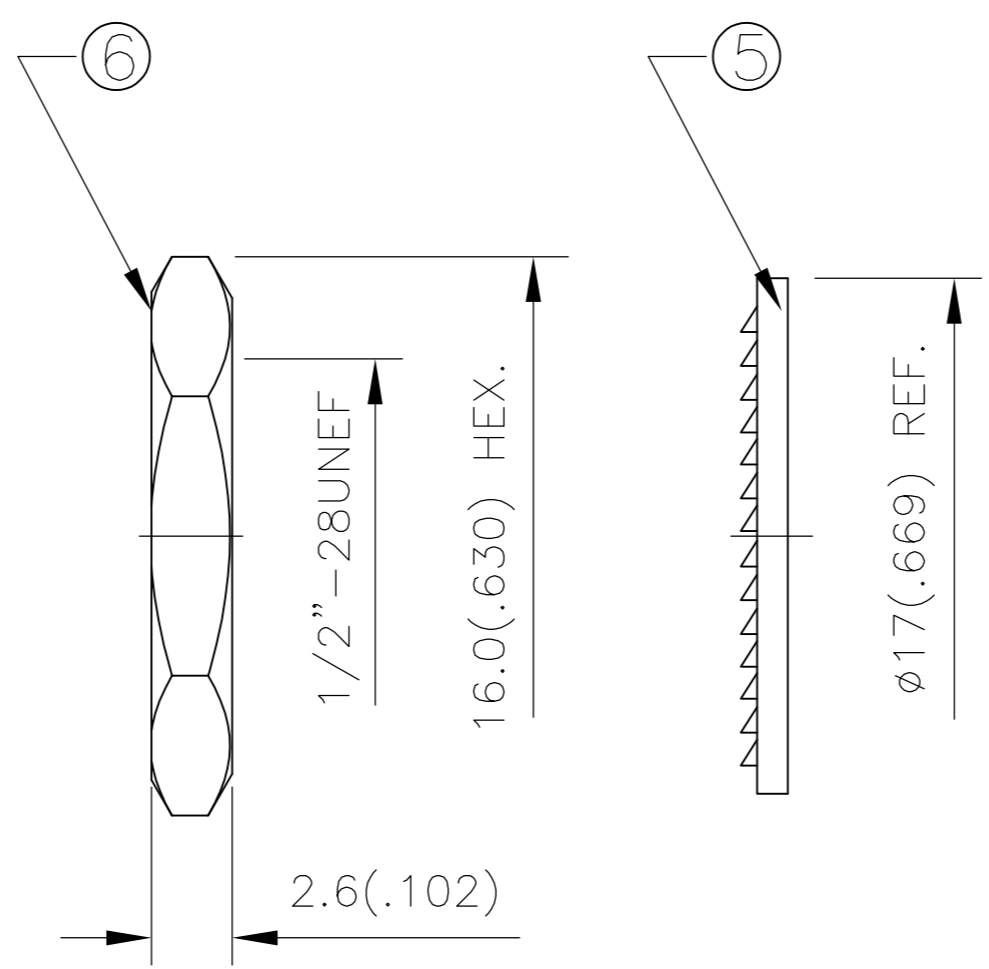
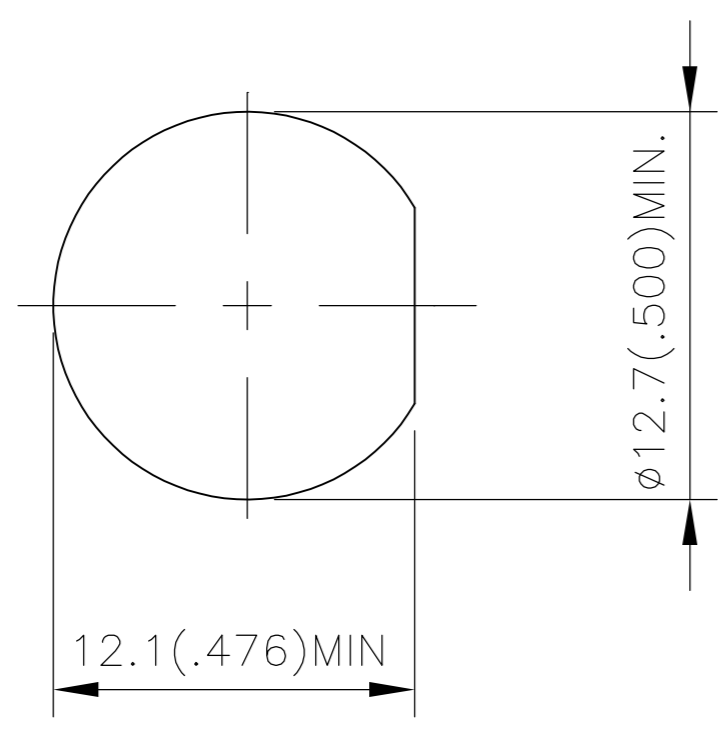
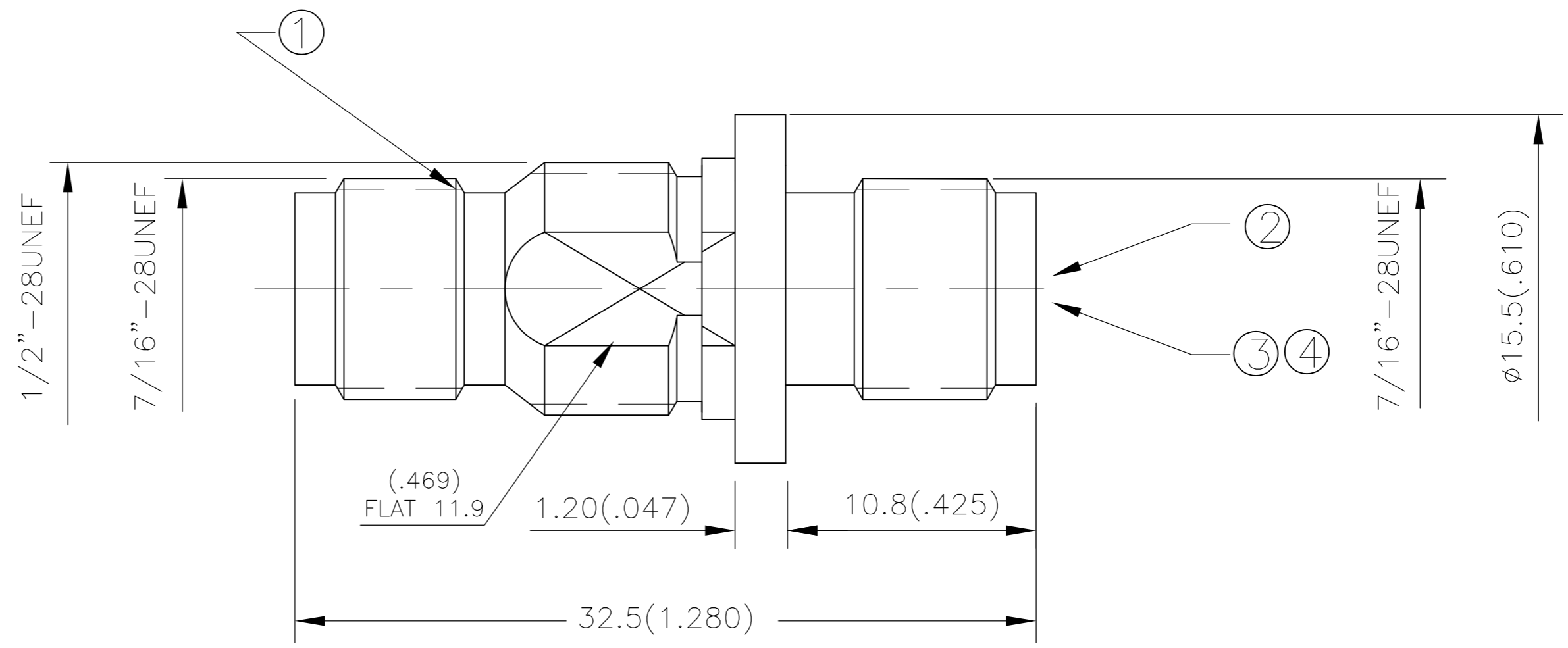


THIS DRAWING IS UNPUBLISHED. RELEASED FOR PUBLICATION
 © COPYRIGHT - By - ALL RIGHTS RESERVED.

LOC	DIST	REVISIONS					
AJ	17	P	LTR	DESCRIPTION	DATE	DWN	APVD
		A1		ECO-12-003826	27FEB2012	TITAN	MARTIN

Note:

- ① SINGLE PACK
- ② GOLD PLATE
- ③ NICKEL PLATE
- 4 ELECTRICAL:
 FREQUENCY RANGE:DC-4 GHz
 NOMINAL IMPEDANCE: 50 OHMS
 WORKING VOLTAGE: 500 VOLTS MAX.
 PROOF VOLTAGE: 1500 VOLTS
 INSULATION RESISTANCE: 5000 MΩ
 CONTACT RESISTANCE:
 CENTER CONTACT:1.5 MILLIOHMS
 OUT CONTACT:1 MILLIOHMS
 VSWR:1.35 MAX
- 5 MECHANICAL:
 DURABILIT:500 MATINGS
- 6 ENVIRONMENTAL:
 OPERATING TEMPERATURE RANGE: -40°C TO +60°C



QTY	MATERIAL	DESCRIPTION	ITEM
1	BRASS	NUT	6
1	STEEL	WANSHER	5
1	BRASS	WANSHER	4
2	POM	DIELECTRIC	3
1	PHOSPHOR BRONZE	CENTER CONTACT	2
1	BRASS	SHELL	1
1--0		MATERIAL	DESCRIPTION
			ITEM

THIS DRAWING IS A CONTROLLED DOCUMENT.

DWN: Titan Dai 17-JAN-12
 CHK: Gary Gao 17-JAN-12
 APVD: Martin Ye 17-JAN-12

TE Connectivity

JACK TO JACK, ADAPTER, BULKHEAD, TNC,50Ω

SIZE: A2 CAGE CODE: 00779 DRAWING NO: C=619520 RESTRICTED TO: -

SCALE: 4:1 SHEET: 1 OF 1 REV: A1