

1.5kVrms DC/DC Converter

6 Pin SMD or DIL Isolation Modules



Product Features:

- Provide the isolation and voltage outputs required for small, low cost DC/DC converter circuits.
- Designed specifically for use with the Maxim™ MAX253, MAX845, and MAX3535/MXL1535 drivers
- Isolation Voltage: 1,500 Vrms. Other packages are available with isolation voltages up to 4.5KVrms.
- UL60950 and EN60950 approved.
- Temperature Range: -40 to +85°C

| SMD Part Number | DIL Part Number | Turns Ratio ($\pm 3\%$) PRI : SEC | PRI LL ($\mu\text{H Typ.}$) | PRI OCL ($\mu\text{H Typ.}$) | PRI DCR ($\Omega \text{ Max.}$) | ET Constant ($\text{V}\cdot\mu\text{s Min.}$) |
|-----------------|-----------------|-------------------------------------|-------------------------------|--------------------------------|-----------------------------------|---|
| TGM-210NSLF | TDM-210NELF | 2CT:1CT | 0.40 | 960 | 0.8 | 11 |
| TGM-220NSLF | TDM-220NELF | 8CT:3CT | 0.40 | 960 | 0.8 | 11 |
| TGM-230NSLF | TDM-230NELF | 4CT:3CT | 0.40 | 960 | 0.8 | 11 |
| TGM-240NSLF | TDM-240NELF | 3CT:4CT | 0.40 | 960 | 0.8 | 11 |
| TGM-250NSLF | TDM-250NELF | 1CT:1CT | 0.40 | 960 <td 0.8 | 11 | |
| TGM-280NSLF | TDM-280NELF | 3CT:8CT | 0.40 | 960 | 0.8 | 11 |

Notes:

1. Primary Pins: 1-3
2. 2kV isolation transformers available – contact factory
3. For more information, pertaining to the MAX845 please contact Maxim at (408) 737-7600.
4. Maxim is a registered trademark of Maxim Integrated Products.

Schematic



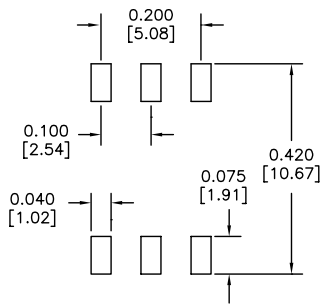
6 Pin, 1.5kVrms DC/DC Converter Isolation Modules

SMD Package (NS)

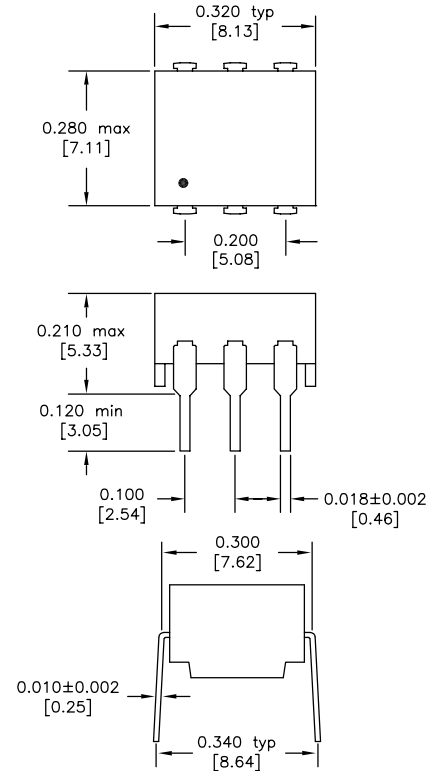
DIL Package (NE)



Dimensions: inches [mm]
Co-Planarity: 0.004 [0.10]



Recommended
Solder Pad Dimensions



US Patent Numbers for SMD Devices
5,656,985 6,297,721 B1
6,297,720 B1 6,320,489 B1
6,344,785 B1 6,662,431 B1

HALO
ELECTRONICS, INC.

2880 Lakeside Drive #116
Santa Clara, CA 95054
(650) 903-3800
www.haloelectronics.com

HALO® Electronics is a leading supplier of high quality communication magnetics including signal transformers, filters, CMR chokes, PoE power transformers, DC/DC converters, and integrated Ethernet connectors. HALO's leading edge technology solutions are manufactured in ISO9001 and ISO14001 factories offering high quality products at a competitive price.

© Copyright 2014 HALO Electronics, Inc. All rights reserved.

Revised 5/2014 Download the latest version at www.haloelectronics.com/pdf/discrete-dc2dc-6pin15kv.pdf

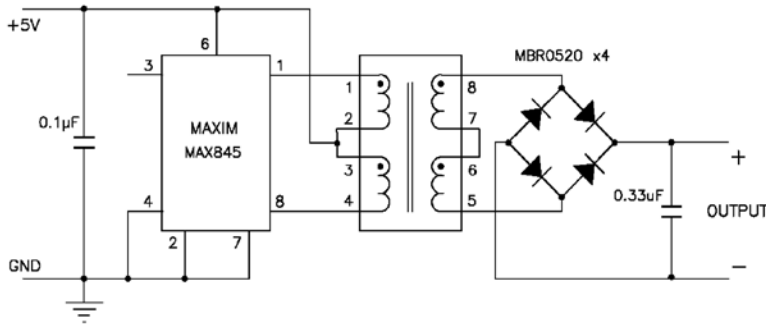
Maxim MAX253/MAX845 DC/DC Converter Application Note



The TDM and TGM series of transformers have been designed specifically for use with the Maxim™ MAX253 and MAX845 monolithic oscillator/power driver with 3.3V or 5V power source. Multiple output voltages can be achieved depending on the diode circuit and transformer selected. For more information, pertaining to the MAX253/MAX845 please contact Maxim at (408) 737-7600. Maxim is a registered trademark of Maxim Integrated Products.

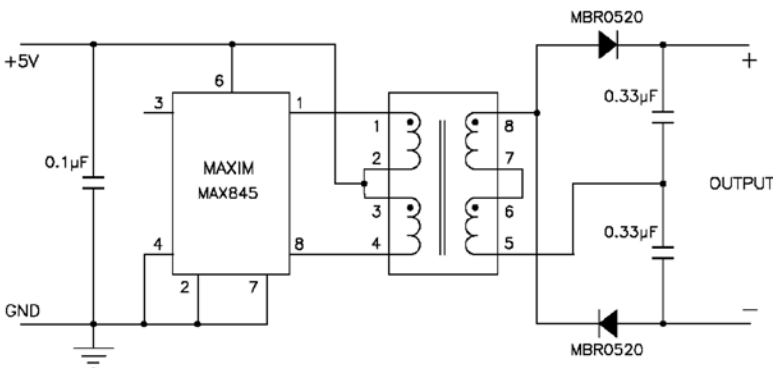
Bridge Rectifier Circuit

Output Voltages



Doubler Circuit

Output Voltages



Full Wave Rectifier Circuit

Output Voltages

