

1.5kVrms DC/DC Converter

6 Pin SMD or DIL Isolation Modules



Product Features:

- Provide the isolation and voltage outputs required for small, low cost DC/DC converter circuits.
- Designed specifically for use with the Maxim™ MAX253, MAX845, and MAX3535/MXL1535 drivers
- Isolation Voltage: 1,500 Vrms. Other packages are available with isolation voltages up to 4.5KVrms.
- UL60950 and EN60950 approved.
- Temperature Range: -40 to +85°C

SMD Part Number	DIL Part Number	Turns Ratio ($\pm 3\%$) PRI : SEC	PRI LL ($\mu\text{H Typ.}$)	PRI OCL ($\mu\text{H Typ.}$)	PRI DCR ($\Omega \text{ Max.}$)	ET Constant (V- $\mu\text{s Min.}$)
TGM-210NSLF	TDM-210NELF	2CT:1CT	0.40	960	0.8	11
TGM-220NSLF	TDM-220NELF	8CT:3CT	0.40	960	0.8	11
TGM-230NSLF	TDM-230NELF	4CT:3CT	0.40	960	0.8	11
TGM-240NSLF	TDM-240NELF	3CT:4CT	0.40	960	0.8	11
TGM-250NSLF	TDM-250NELF	1CT:1CT	0.40	960	0.8	11
TGM-280NSLF	TDM-280NELF	3CT:8CT	0.40	960	0.8	11

Notes:

1. Primary Pins: 1-3
2. 2kV isolation transformers available – contact factory
3. For more information, pertaining to the MAX845 please contact Maxim at (408) 737-7600.
4. Maxim is a registered trademark of Maxim Integrated Products.

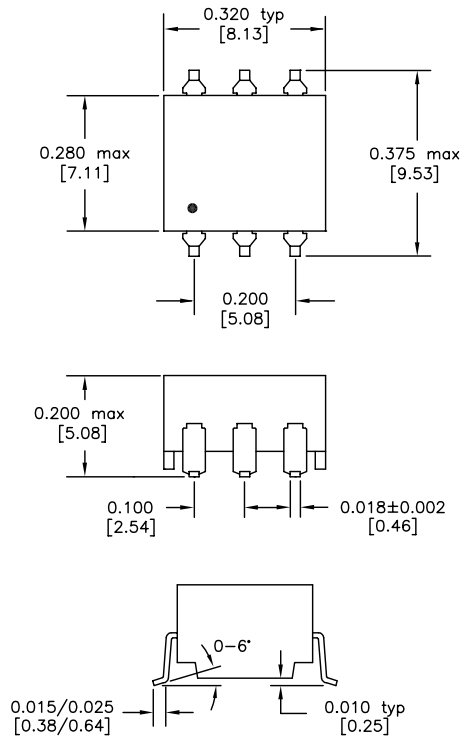
Schematic



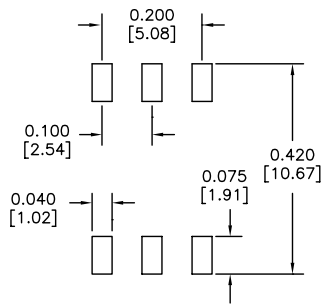
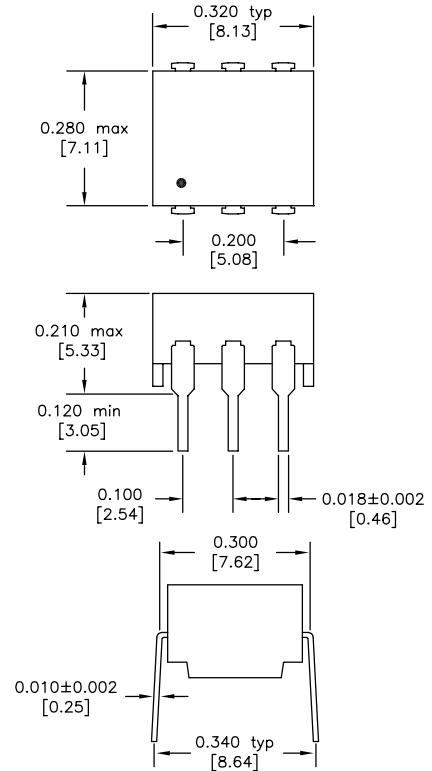
6 Pin, 1.5kVrms DC/DC Converter Isolation Modules

SMD Package (NS)

DIL Package (NE)



Dimensions: inches [mm]
Co-Planarity: 0.004 [0.10]



Recommended
Solder Pad Dimensions

US Patent Numbers for SMD Devices

5,656,985 6,297,721 B1
6,297,720 B1 6,320,489 B1
6,344,785 B1 6,662,431 B1



2880 Lakeside Drive #116
Santa Clara, CA 95054
(650) 903-3800

www.haloelectronics.com

HALO® Electronics is a leading supplier of high quality communication magnetics including signal transformers, filters, CMR chokes, PoE power transformers, DC/DC converters, and integrated Ethernet connectors. HALO's leading edge technology solutions are manufactured in ISO9001 and ISO14001 factories offering high quality products at a competitive price.

© Copyright 2014 HALO Electronics, Inc. All rights reserved.

Revised 5/2014 Download the latest version at www.haloelectronics.com/pdf/discrete-dc2dc-6pin15kv.pdf

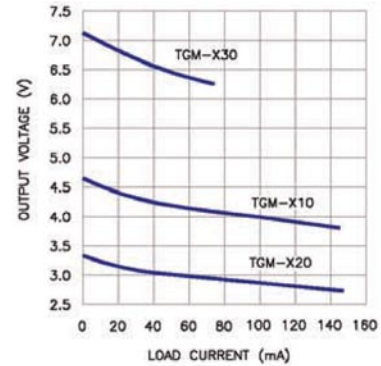
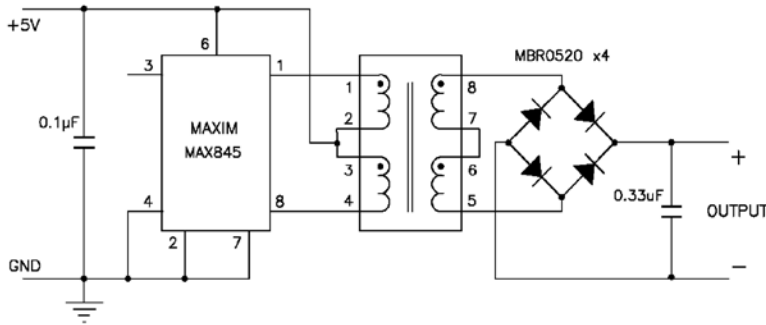
Maxim MAX253/MAX845 DC/DC Converter Application Note



The TDM and TGM series of transformers have been designed specifically for use with the Maxim™ MAX253 and MAX845 monolithic oscillator/power driver with 3.3V or 5V power source. Multiple output voltages can be achieved depending on the diode circuit and transformer selected. For more information, pertaining to the MAX253/MAX845 please contact Maxim at (408) 737-7600. Maxim is a registered trademark of Maxim Integrated Products.

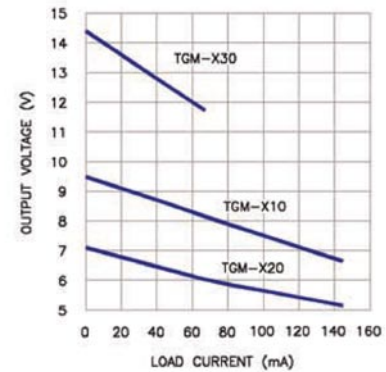
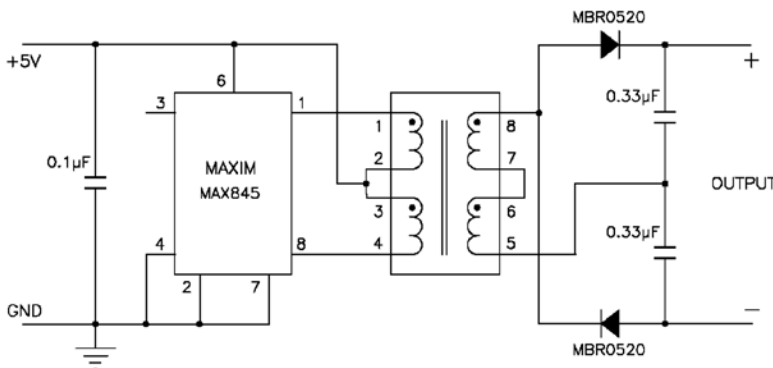
Bridge Rectifier Circuit

Output Voltages



Doubler Circuit

Output Voltages



Full Wave Rectifier Circuit

Output Voltages

