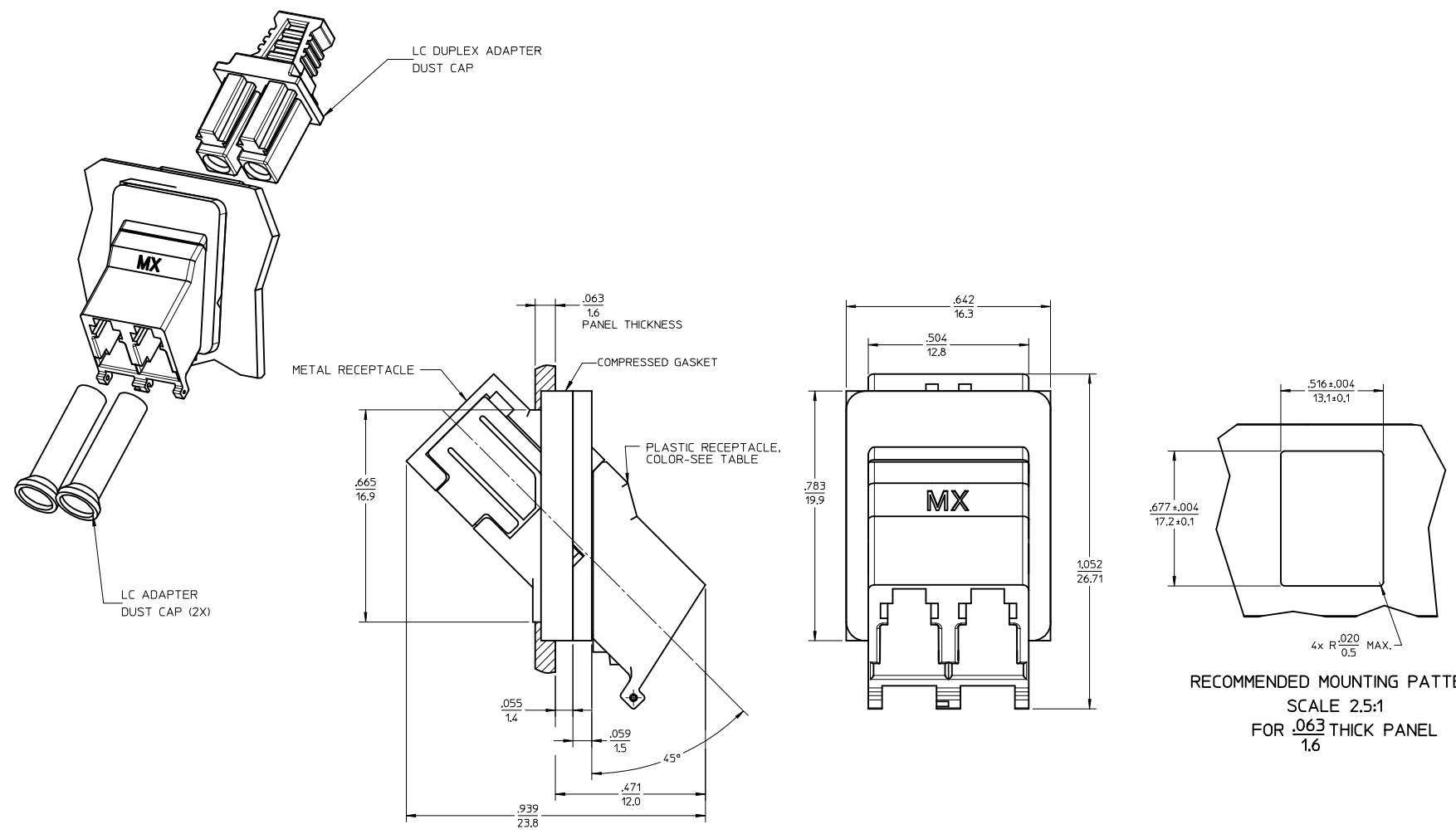


ADAPTER P/N	PLASTIC RECEPTACLE COLOR	SPLIT SLEEVE MATERIAL
106115-4150	BLUE	Zr
106115-4151	GREEN	Zr



RECOMMENDED MOUNTING PATTERN  
SCALE 2.5:1  
FOR .063 THICK PANEL  
1.6

- NOTES:
- DIMENSIONS SHOWN ARE FOR REFERENCE ONLY.
  - CONDUCTIVE FABRIC OVER FOAM GASKET (SHOWN COMPRESSED) IS SUPPLIED WITH THE PART.
  - PACKAGING: 25 ADAPTERS PER TRAY AND 4 TRAYS PER BOX.

ENTER DESCRIPTION EC NO: MF2015-0214 DRWN: MAGHAYERE 2014/10/13 CHKD: APPR: GUMIN 2014/11/11 REV:	QUALITY SYMBOLS ▽=0 ▽=0 ▽=0	GENERAL TOLERANCES (UNLESS SPECIFIED) <table border="1"> <thead> <tr> <th></th> <th>mm</th> <th>INCH</th> </tr> </thead> <tbody> <tr> <td>4 PLACES</td> <td>± .---</td> <td>± .---</td> </tr> <tr> <td>3 PLACES</td> <td>± .---</td> <td>± .---</td> </tr> <tr> <td>2 PLACES</td> <td>± .---</td> <td>± .---</td> </tr> <tr> <td>1 PLACE</td> <td>± .---</td> <td>± .---</td> </tr> <tr> <td>0 PLACE</td> <td>±</td> <td>±</td> </tr> </tbody> </table>		mm	INCH	4 PLACES	± .---	± .---	3 PLACES	± .---	± .---	2 PLACES	± .---	± .---	1 PLACE	± .---	± .---	0 PLACE	±	±	DIMENSION STYLE IN/MM DRAWN BY DATE L.SADAUSKAS 2006/12/18 CHECKED BY DATE APPROVED BY DATE I.GUMIN 2006/12/27	SCALE 4:1 DESIGN UNITS INCH	THIRD ANGLE PROJECTION
		mm	INCH																				
4 PLACES	± .---	± .---																					
3 PLACES	± .---	± .---																					
2 PLACES	± .---	± .---																					
1 PLACE	± .---	± .---																					
0 PLACE	±	±																					
DRAFT WHERE APPLICABLE MUST REMAIN WITHIN DIMENSIONS	MATERIAL NO. SEE TABLE	DOCUMENT NO. SD-106115-4150	SHEET NO. 1 OF 1																				

THIS DRAWING CONTAINS INFORMATION THAT IS PROPRIETARY TO MOLEX INCORPORATED AND SHOULD NOT BE USED WITHOUT WRITTEN PERMISSION