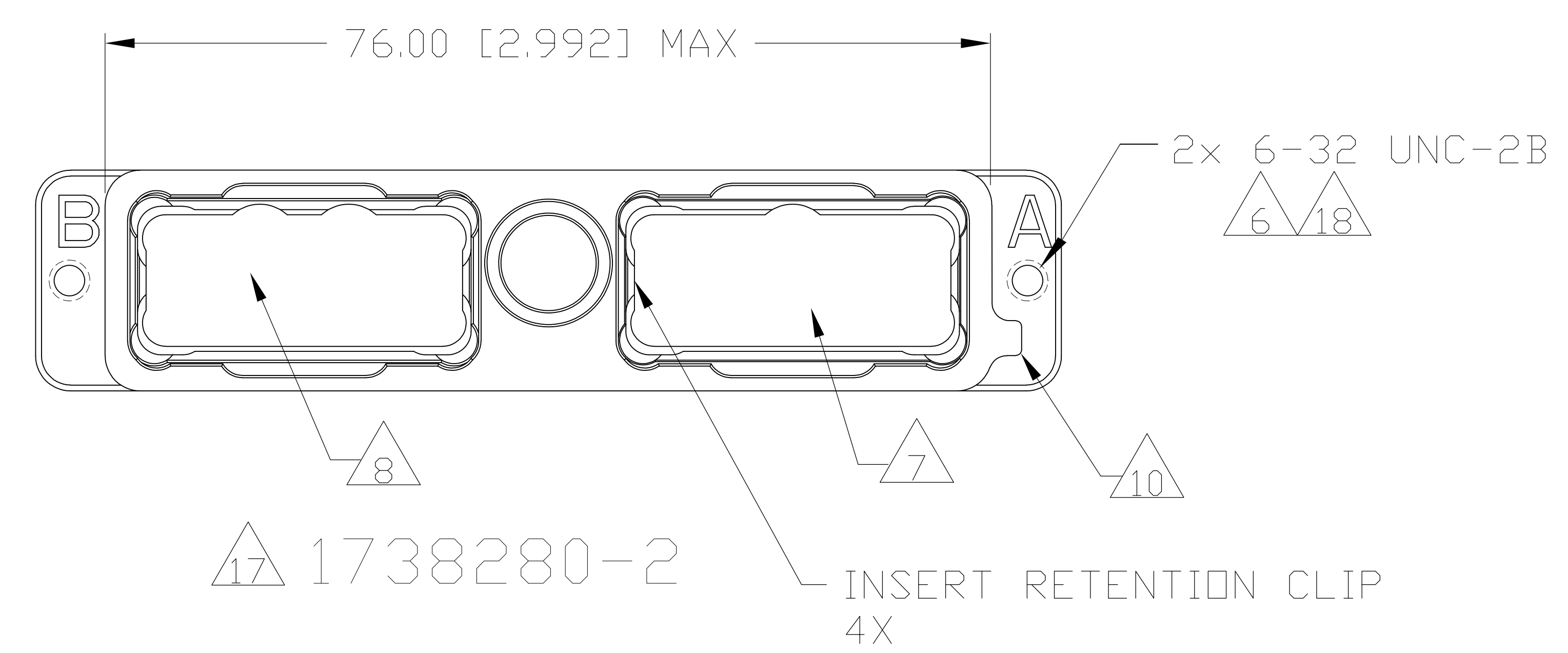
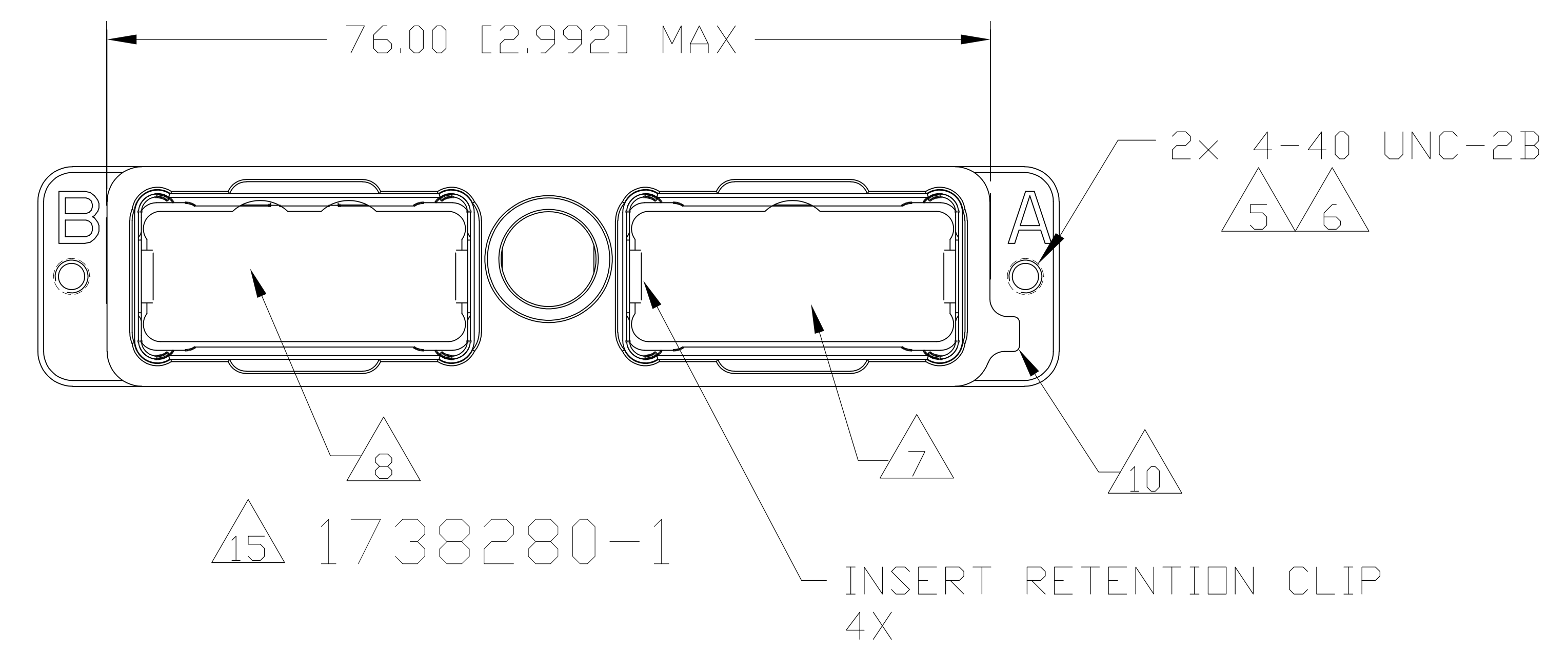
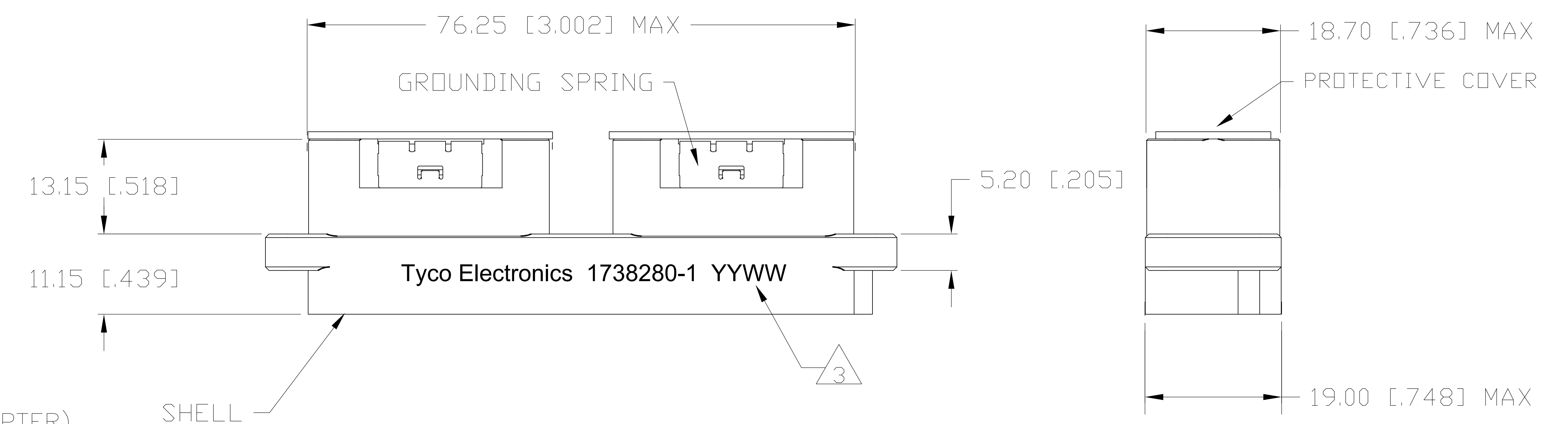
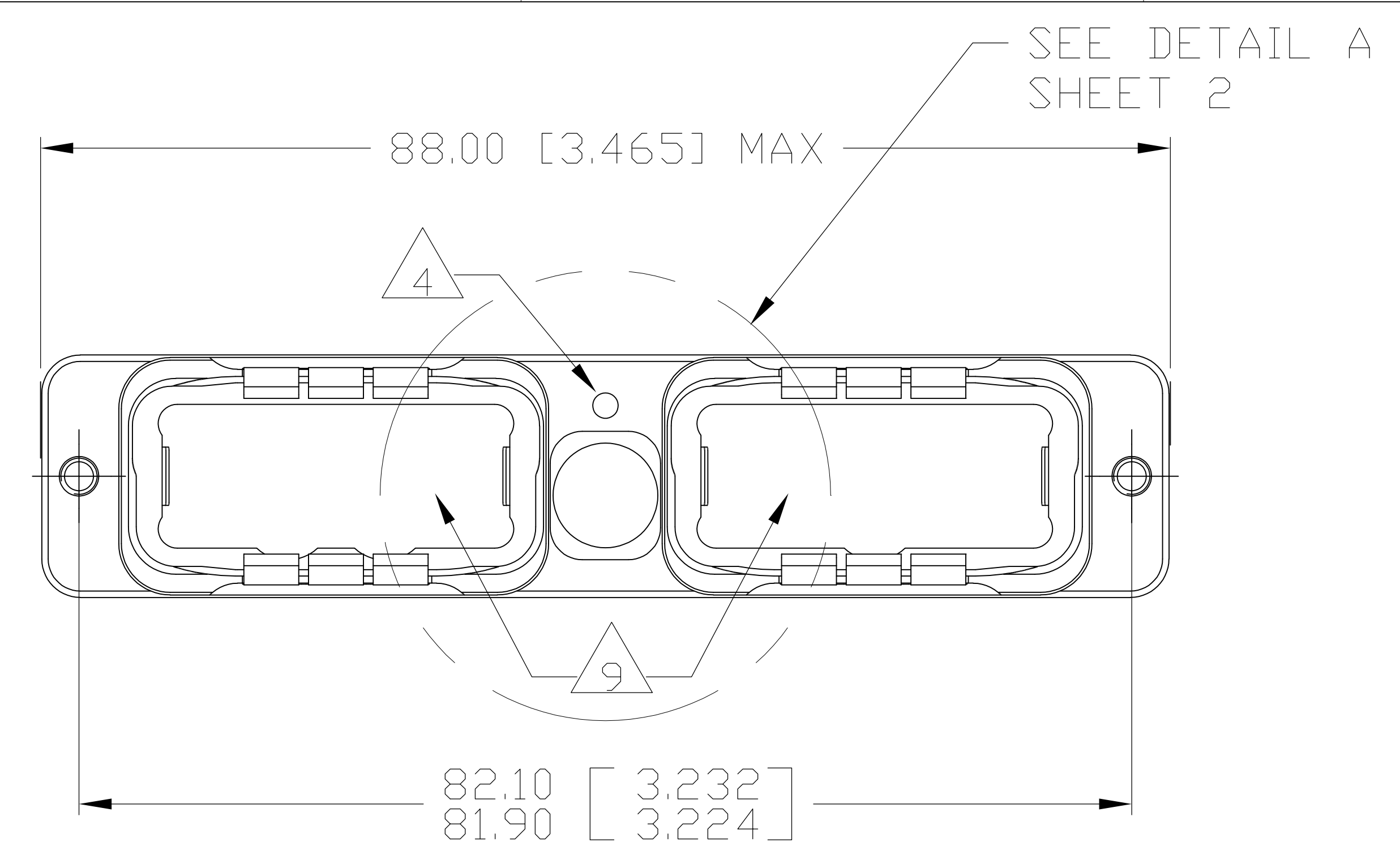


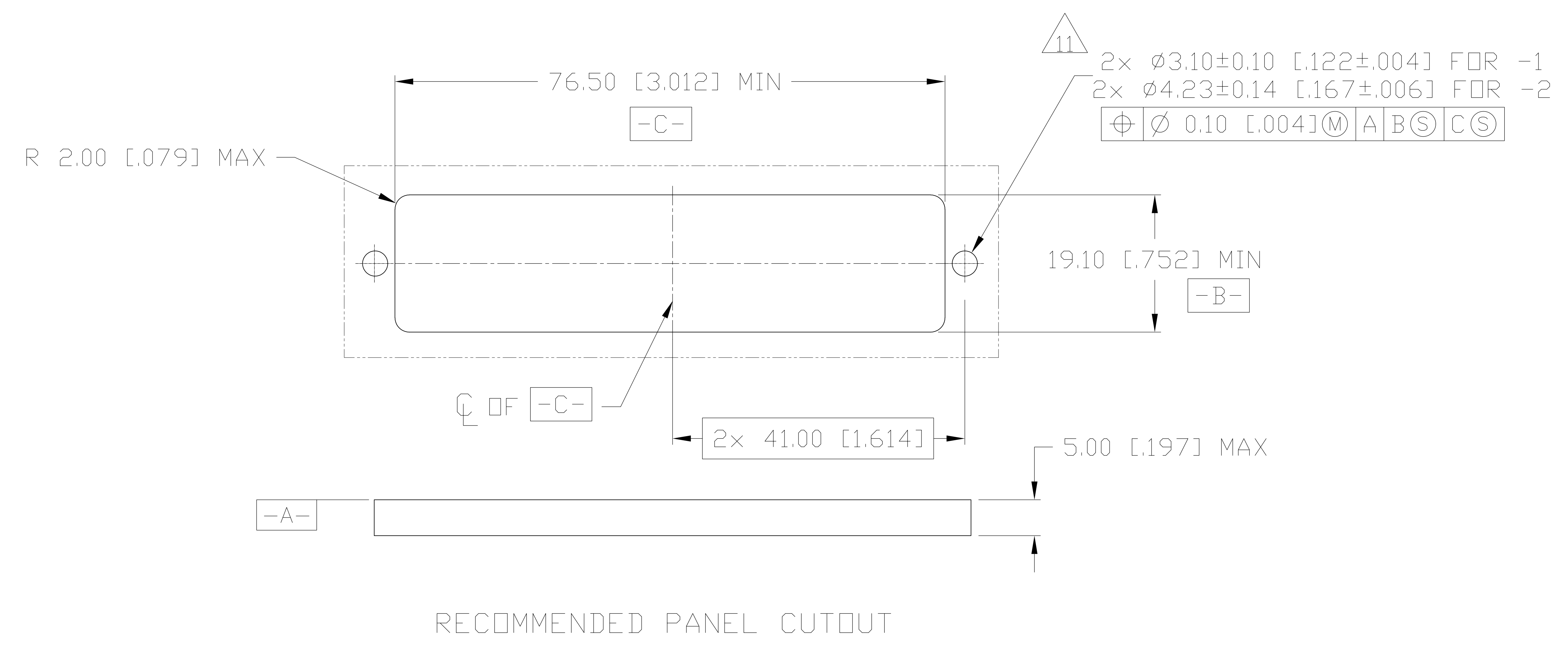
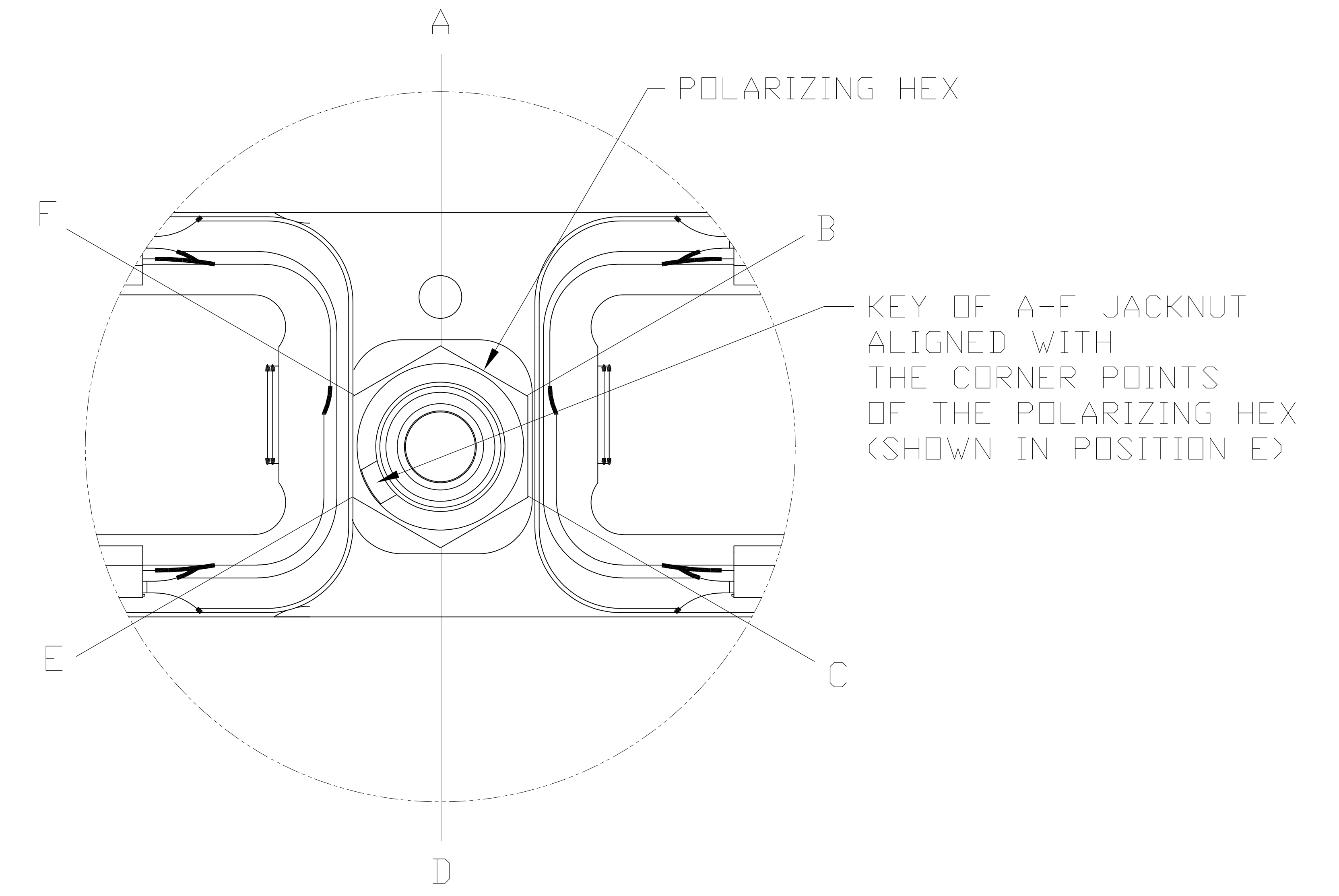
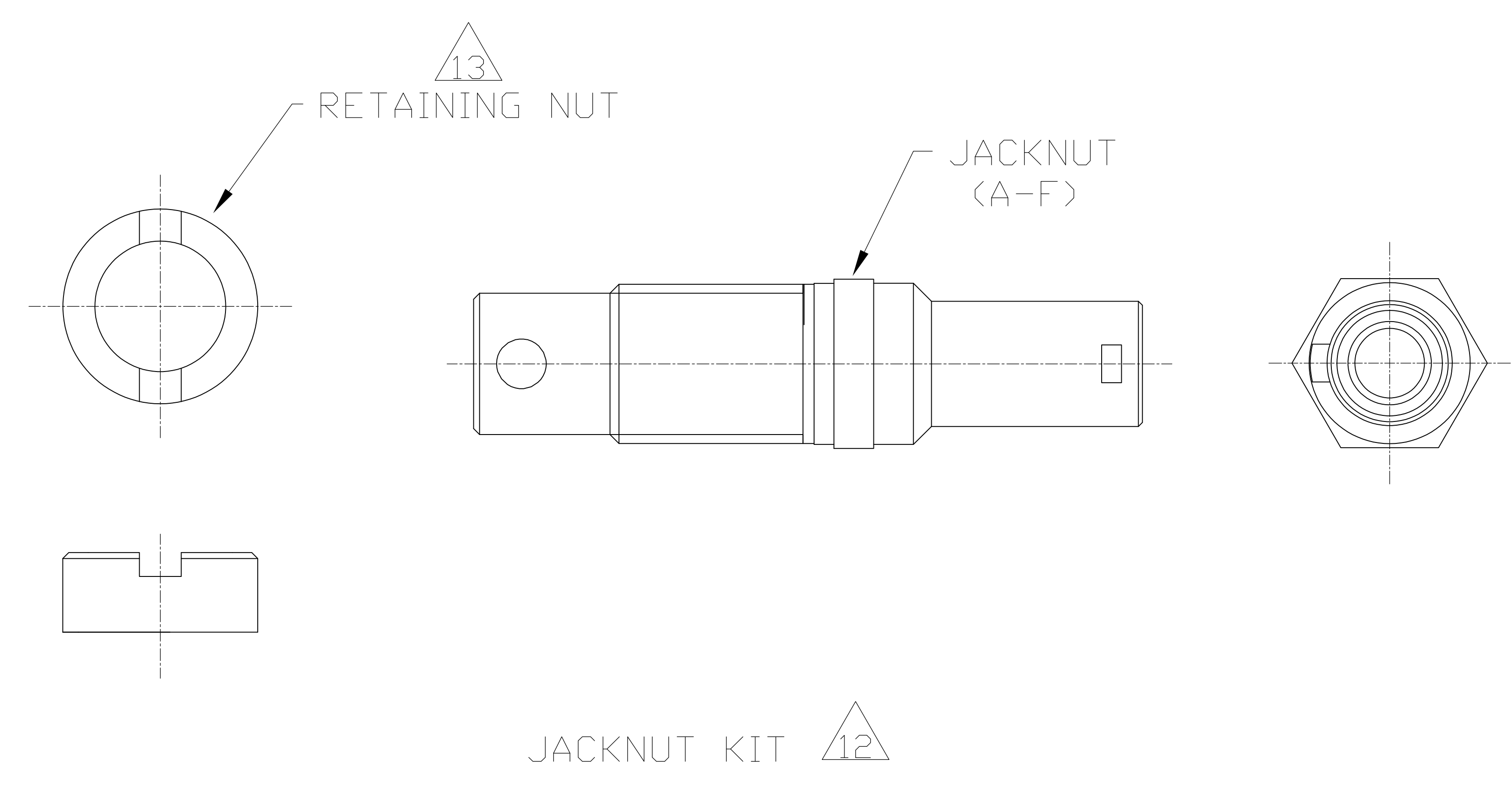
REV	DESCRIPTION	DATE	BY	APP'D
B	REV PER ECO 14-006462	5-1-14	CT	KH

- 1 SHELL: ALUMINUM ALLOY 6061 T651
INSERT RETENTION CLIP & GROUNDING SPRING: COPPER ALLOY PER ASTM B194
JACKNUT & RETAINING NUT: STAINLESS STEEL PER AISI 316
JACKNUT SPRING: STAINLESS STEEL PER AISI 302
PROTECTIVE COVER: THERMOPLASTIC ELASTOMER
- 2 SHELL: ELECTROLESS NICKEL PER SAE AMS-C-26074, CLASS 1.
GROUNDING SPRING: ELECTROLYTIC NICKEL PER SAE AMS-QQ-290.
- 3 PART TO BE MARKED WITH TYCO ELECTRONICS PRODUCT IDENTIFIER, PART NUMBER AND DATE CODE (YYWW) IN APPROX. AREA SHOWN.
- 4 INDEXING POINT FOR POLARIZATION.
- 5 4-40 SCREWS ARE REQUIRED FOR PANEL MOUNTING (NOT INCLUDED)
RECOMMENDED TORQUE 1.1 N-m [10 in-lb] MIN
- 6 THREADED HOLES ARE SELF-LOCKING, HAVING THE SPIRALOCK THREAD FORM.
SPIRALOCK IS A REGISTERED TRADEMARK OF SPIRALOCK CORPORATION.
- 7 SHELL CAVITY FOR GPRB SERIES INSERTS WITH KEYING CODE A.
- 8 SHELL CAVITY FOR GPRB SERIES INSERTS WITH KEYING CODE B.
- 9 PROTECTIVE COVERS NOT SHOWN FOR CLARITY.
- 10 POLARIZATION FEATURE TO PREVENT FRONT PANEL MOUNTING.
- 11 SCREW HEAD DIAMETER: 6.00 [.236] MAX.
- 12 THE JACKNUT AND RETAINING NUT ARE SHIPPED UNASSEMBLED.
THE CUSTOMER SHALL APPLY LOCTITE[®] PRODUCT 272 THREADLOCKING ADHESIVE WHEN INSTALLING THESE ON THE SHELL ASSEMBLY. LOCTITE[®] IS A REGISTERED TRADEMARK OF LOCTITE CORPORATION.
- 13 A SPANNER WRENCH TOOL, TYCO ELECTRONICS P/N 1738220-1 (WITH 1/4-in ADAPTER) OR 1738221-1 (WITH T-HANDLE), IS USED TO LOCK THE RETAINING NUT.
RECOMMENDED LOCKING TORQUE: 1.5 N-m [13 in-lb].
- 14. PITCH FOR SIDE-BY-SIDE MOUNTING: 19.50 [.768] MIN.
- 15 FOR 1738280-1
DESCRIPTIVE PART NUMBER: GPRB2HL22N
SERIES: GPRB
SHELL SIZE: 2 (TWO-CAVITY SHELL)
SHELL STYLE: H (RECEPTACLE WITH GROUNDING SPRINGS)
MODIFICATION CODE: L (2x 4-40 UNC MOUNTING HOLES FOR REAR PANEL-MOUNTING)
LOCKING & POLARIZING DEVICE: 2 (JACKNUT)
POLARIZATION CODE: 2 (A-F JACKNUT HARDWARE SHIPPED UNASSEMBLED)
SHELL PLATING: N (NICKEL PLATING)
- 16. THIS PRODUCT IS SOLD BY TYCO ELECTRONICS UNDER A LICENSE FROM RADIALL SA.
- 17 FOR 1738280-2
DESCRIPTIVE PART NUMBER: GPRB2HF22N
SERIES: GPRB
SHELL SIZE: 2 (TWO-CAVITY SHELL)
SHELL STYLE: H (RECEPTACLE WITH GROUNDING SPRINGS)
MODIFICATION CODE: F (2x 6-32 UNC MOUNTING HOLES FOR REAR PANEL-MOUNTING)
LOCKING & POLARIZING DEVICE: 2 (JACKNUT)
POLARIZATION CODE: 2 (A-F JACKNUT HARDWARE SHIPPED UNASSEMBLED)
SHELL PLATING: N (NICKEL PLATING)
- 18 6-32 SCREWS ARE REQUIRED FOR PANEL MOUNTING (NOT INCLUDED)
RECOMMENDED TORQUE 1.6 N-m [14 in-lb] MIN



W/6-32 HOLES	1738280-2
W/4-40 HOLES	1738280-1
DESCRIPTION	PART NO.

THIS DRAWING IS A CONTROLLED DOCUMENT. DATE: 05/13/14. DWG NO: 1738280-1. DRW: J.MOSIER. REV: 0001. DESCRIPTION: RECEPTACLE SHELL KIT, REAR PANEL MOUNT, WITH A-F JACKNUT, GPRB2. SCALE: 2:1. SHEET: 1 OF 2. REV: B. CUSTOMER DRAWING. AUTO-CAD.



THIS DRAWING IS A CONTROLLED DOCUMENT.		DATE	02/20/2018	REV	1
DRAWN BY		DESIGNED BY	J. MOSIER	DATE	02/20/2018
CHECKED BY		APPROVED BY	J. MOSIER	DATE	02/20/2018
DIMENSIONS: (UNLESS OTHERWISE SPECIFIED)		PRODUCT SPEC		APPLICATION SPEC	
Ø	±	Ø 0.2 [0.008]			
Ø	±	Ø 0.2 [0.008]			
Ø	±	Ø 0.2 [0.008]			
Ø	±	Ø 0.2 [0.008]			
MATERIAL	FINISH	WEIGHT	SCALE	SIZE	SCALE CODE
1	2		2:1	A0	00779
CUSTOMER DRAWING		DRAWING NO	1738280	SHEET	2 OF 2
		REV	B		