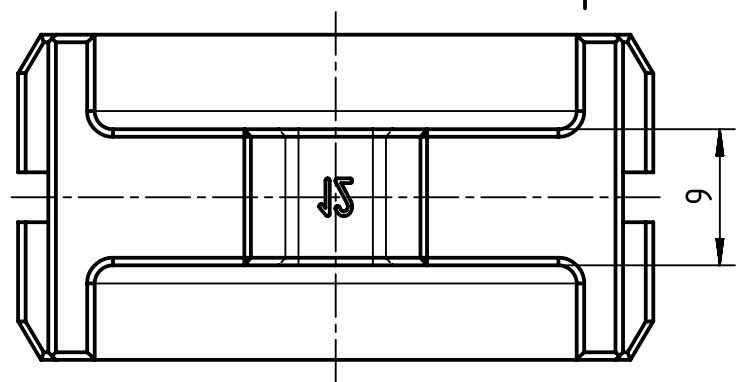
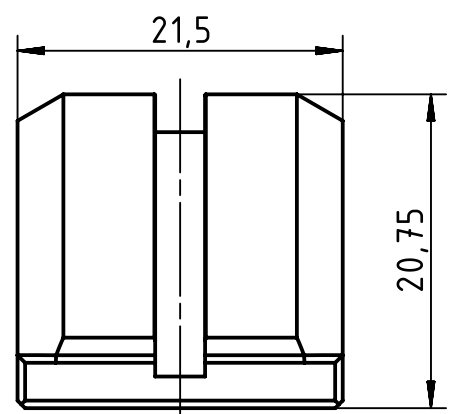


1 2 3 4 5 6

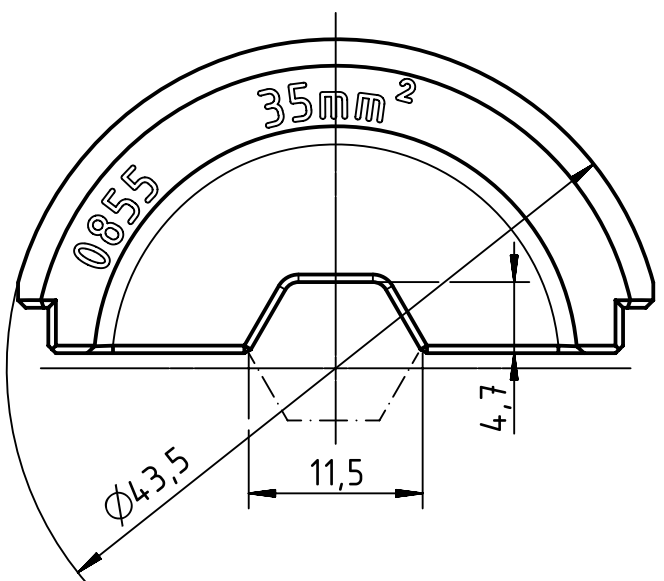
A



B

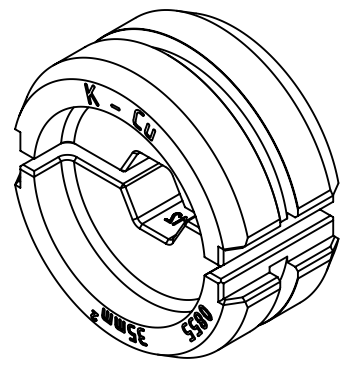



C



Scope of delivery 2 crimp dies

D



	All rights reserved Department EL PD - DE HARTING Electric GmbH & Co. KG D-32339 Espelkamp	All Dimensions in mm Original Size DIN A4		Scale 2:1	Free size tol.	Ref. Sub.	
		Created by HOLLERT	Inspected by RIEPE	Standardisation RUETERA	Date 2017-05-15	State Final Release	
Title Crimp die 35mm ² for 60 kN tool						Doc-Key / ECM-Nr. 100572324/UGD/002/C 500000119344	
Type TB				Number 09 99 000 0855		Rev. C	Page 1/1

Mouser Electronics

Authorized Distributor

Click to View Pricing, Inventory, Delivery & Lifecycle Information:

[HARTING:](#)

[09990000855](#)