

## AMS-10 SERIES MINI SURFACE MOUNT CONTACT

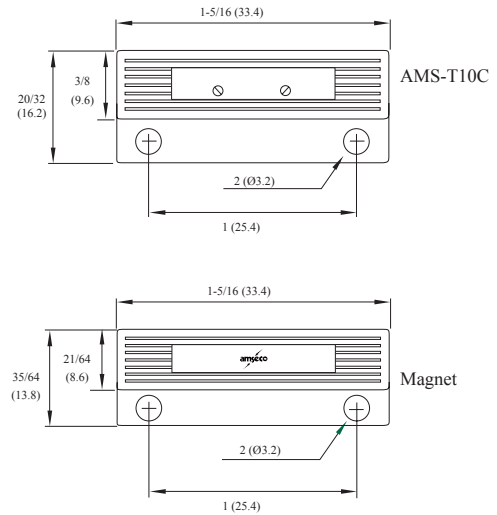


- UL and ULC Listed
- Slim design for tight spaces
- 3/4" operating gap
- Alnico 5 magnet
- Available in white, brown, gray, or ivory
- Screw or 3M adhesive

### Application

The AMS-10 Series Mini Surface Mount Contact is a UL Listed slim contact designed for tight spaces to accommodate hard to reach locations. The AMS-10 Series is available with side mount leads, center mount leads, or with terminals. This provides options for fitting multiple applications. These devices can be used to protect openings such as: man doors, sliding doors, windows, or any other opening that requires a small contact.

### Dimensions



### Specifications

Model	Color	Stock Number	Contact	Contact Rating	Contact Type	Max. Carry Current	Max. Switching Current	Breakdown Voltage	Operating Gap	Mounting Method	Operating Temperature Range
AMS-10C	White	4350108	25" Center Lead	10VA	Form A N.O.	1.0 Amp	.3 Amp	200VDC min.	3/4"	Screw in or self-adhesive	32°F to 120°F (0°C to 49°C)
	Brown	4350098									
	Gray	4350100									
	Ivory	4350102									
AMS-10S	White	4350109	25" Side Lead								
	Brown	4350099									
	Gray	4350101									
	Ivory	4350104									
AMS-T10C	White	4350107	Terminal								
	Brown	4350106									