

301LS28

M

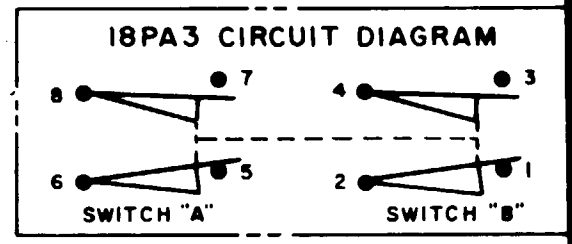
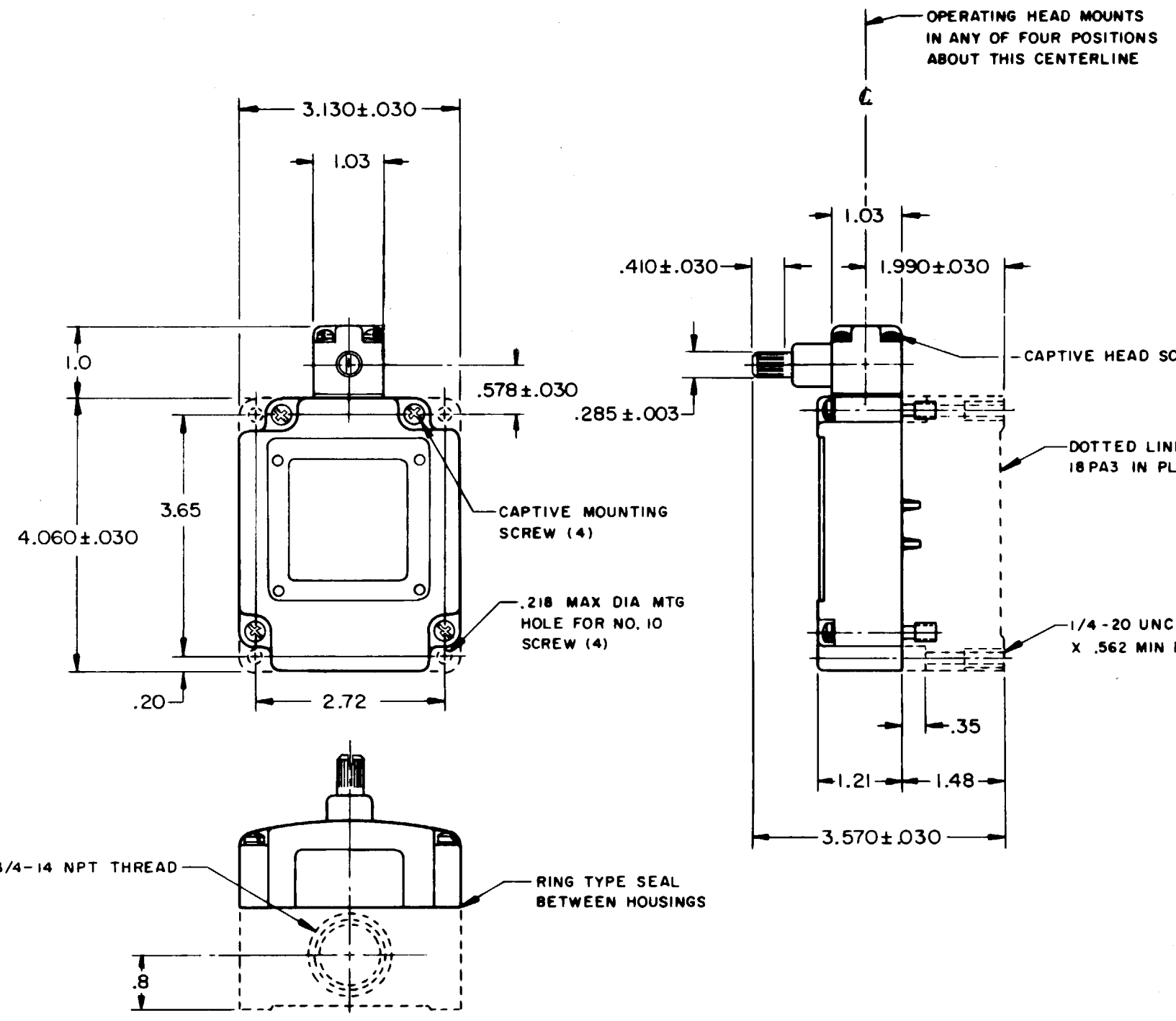
DRAWING NUMBER

ISSUE

8 7  
5 8

REVISIONS	
A	CO15200 M B F 21 JUNE 65
B	SR 2756 OMW 3 MAR 67
C	CO25192 R E R 22 APR 69
D	CO68675 T S M 9 OCT 90
E	CO-77031 J D B 22 DEC 93

REPLACES  
 RELEASE NO. ETS SR 12756  
 CHECK  
 WRA  
 CHECK  
 L S D  
 M B F 21 JUNE 65  
 DRAWN  
 FO-80378-003



THIS DRAWING COVERS A PROPRIETARY ITEM AND IS THE PROPERTY OF MICRO SWITCH, A DIVISION OF MINNEAPOLIS-HONEYWELL REGULATOR CO. THIS DRAWING IS NOT TO BE COPIED OR USED WITHOUT THE APPROVAL OF MICRO SWITCH.

CHARACTERISTICS	ELECTRICAL DATA	SCALE 1/2 TO 1
OPERATING FORCE --- 7 1/2 IN LB MAX	CONTACT ARRANGEMENT (SEE CIRCUIT DIAGRAM)	DO NOT SCALE PRINT
FULL OVERTRAVEL FORCE --- 9 IN LB MAX	10A-120, 240, OR 480 VAC; 1/3 HP - 120 VAC	UNLESS OTHERWISE NOTED
RELEASE FORCE --- 3/4 IN LB MIN	3/4 HP - 240 VAC; 0.8A - 115 VDC; 0.4A - 230 VDC	DIMENSIONS ARE IN INCHES
PRETRAVEL --- 15° MAX	.1A - 550 VDC	<b>TOLERANCES ARE:</b>
DIFFERENTIAL TRAVEL --- 10° MAX	PILOT DUTY: 600 VAC MAX	ONE PLACE (.0) ± .030
OVERTRAVEL --- 30° MIN		TWO PLACE (.00) ± .015
RELEASE TRAVEL --- 5° MIN		THREE PLACE (.000) ± .005
SWITCH-BASIC REPLACEMENT --- 2MNG (2)		ANGLES ±
		WEIGHT

NOTE -  
 1 - SHAFT WILL OPERATE BOTH SWITCHES IN EITHER DIRECTION FROM NEUTRAL  
 2 - BASIC SWITCHES DO NOT NECESSARILY OPERATE SIMULTANEOUSLY