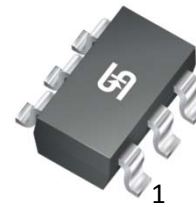


Small Signal Product

DUAL Digital Transistor(NPN+NPN)

FEATURES

- Epitaxial planar die construction
- Surface device type mounting
- Two DTC114E chip in a package
- Transistor elements are independent, eliminating interference
- Mounting cost and area be cut in half
- Pb free version and RoHS compliant
- Packing code with suffix "G" means green compound (halogen-free)

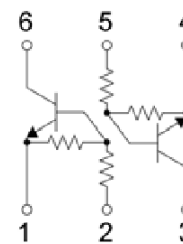


SOT-363



MECHANICAL DATA

- Case: SOT-363 small outline plastic package
- Moisture sensitivity level 1
- Terminal: Pure tin plated, lead free., solderable per MIL-STD-202, Method 208 guaranteed
- Weight: 7.1 ± 0.5 mg
- Marking Code: H11



MAXIMUM RATINGS AND ELECTRICAL CHARACTERISTICS (T _A =25°C unless otherwise noted)			
PARAMETER	SYMBOL	VALUE	UNIT
Supply voltage	V _{CC}	50	V
Input voltage	V _{IN}	-10~40	V
Output current	I _O	50	mA
	I _{C(max)}	100	mA
Power dissipation	P _d	150	mW
Junction Temperature	T _J	150	°C
Storage Temperature Range	T _{STG}	- 55 to +150	°C

PARAMETER	SYMBOL	MIN	TYP	MAX	UNIT
Input voltage	V _{CC} =5V, I _O =100uA			0.5	V
	V _O =0.3V, I _O =10mA	3			V
Output voltage	I _O /I _I =10mA/0.5mA		0.1	0.3	V
Input current	V _I =5V			0.88	mA
Onput current	V _{CC} =50V, V _I =0			0.5	uA
DC current gain	V _O =5V, I _O =5mA	30			
Input resistance	-	7	10	13	KΩ
Resistance ratio	-	0.8	1	1.2	
Transition frequency	V _{CE} =10V, I _E =5mA, f=100MHz		250		MHz

Small Signal Product

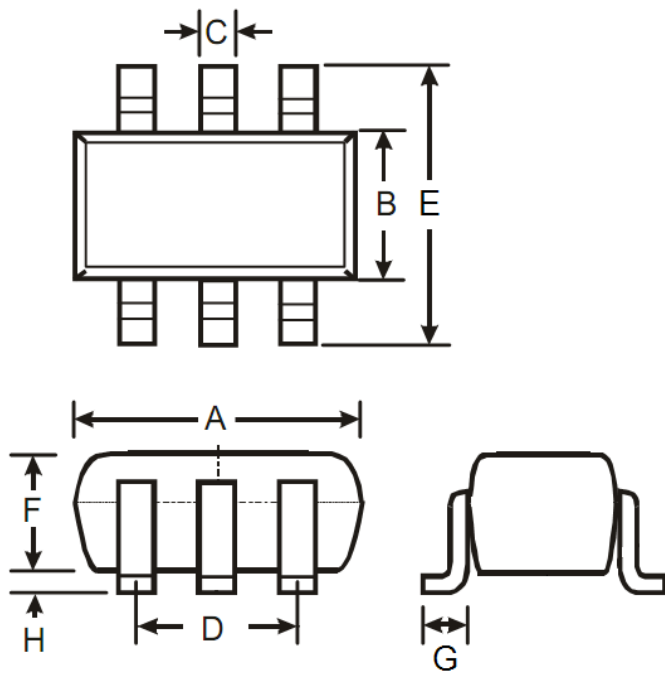
ORDERING INFORMATION				
PART NO.	PACKING CODE	PACKING CODE SUFFIX	PACKAGE	PACKING
UMH11N (Note 1)	RE	G	SOT-363	3K / 7" Reel

Note 1: Whole series with green compound

EXAMPLE				
PREFERRED P/N	PART NO.	PACKING CODE	PACKING CODE SUFFIX	DESCRIPTION
UMH11N REG	UMH11N	RE	G	Green compound

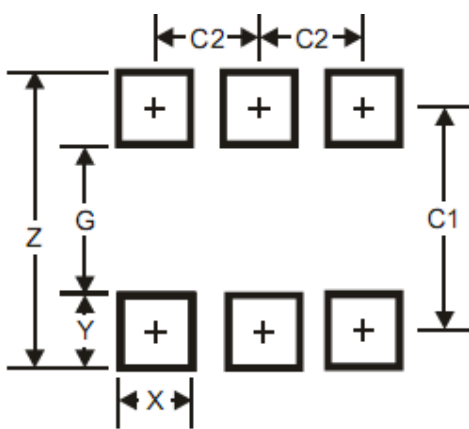
DIMENSIONS

SOT-363



DIM.	Unit (mm)		Unit (inch)	
	Min	Max	Min	Max
A	2.00	2.20	0.079	0.087
B	1.15	1.35	0.045	0.053
C	0.15	0.35	0.006	0.014
D	1.20	1.40	0.047	0.055
E	2.15	2.45	0.085	0.096
F	0.85	1.05	0.033	0.041
G	0.25	0.46	0.010	0.018
H	0.00	0.10	0.000	0.004

SUGGESTED PAD LAYOUT



DIM.	Unit (mm)		Unit (inch)	
	Typ.		Typ.	
Z	2.50		0.098	
G	1.30		0.051	
X	0.42		0.017	
Y	0.60		0.024	
C1	1.90		0.075	
C2	0.65		0.026	

Small Signal Product

Notice

Specifications of the products displayed herein are subject to change without notice. TSC or anyone on its behalf, assumes no responsibility or liability for any errors or inaccuracies.

Information contained herein is intended to provide a product description only. No license, express or implied, to any intellectual property rights is granted by this document. Except as provided in TSC's terms and conditions of sale for such products, TSC assumes no liability whatsoever, and disclaims any express or implied warranty, relating to sale and/or use of TSC products including liability or warranties relating to fitness for a particular purpose, merchantability, or infringement of any patent, copyright, or other intellectual property right.

The products shown herein are not designed for use in medical, life-saving, or life-sustaining applications. Customers using or selling these products for use in such applications do so at their own risk and agree to fully indemnify TSC for any damages resulting from such improper use or sale.