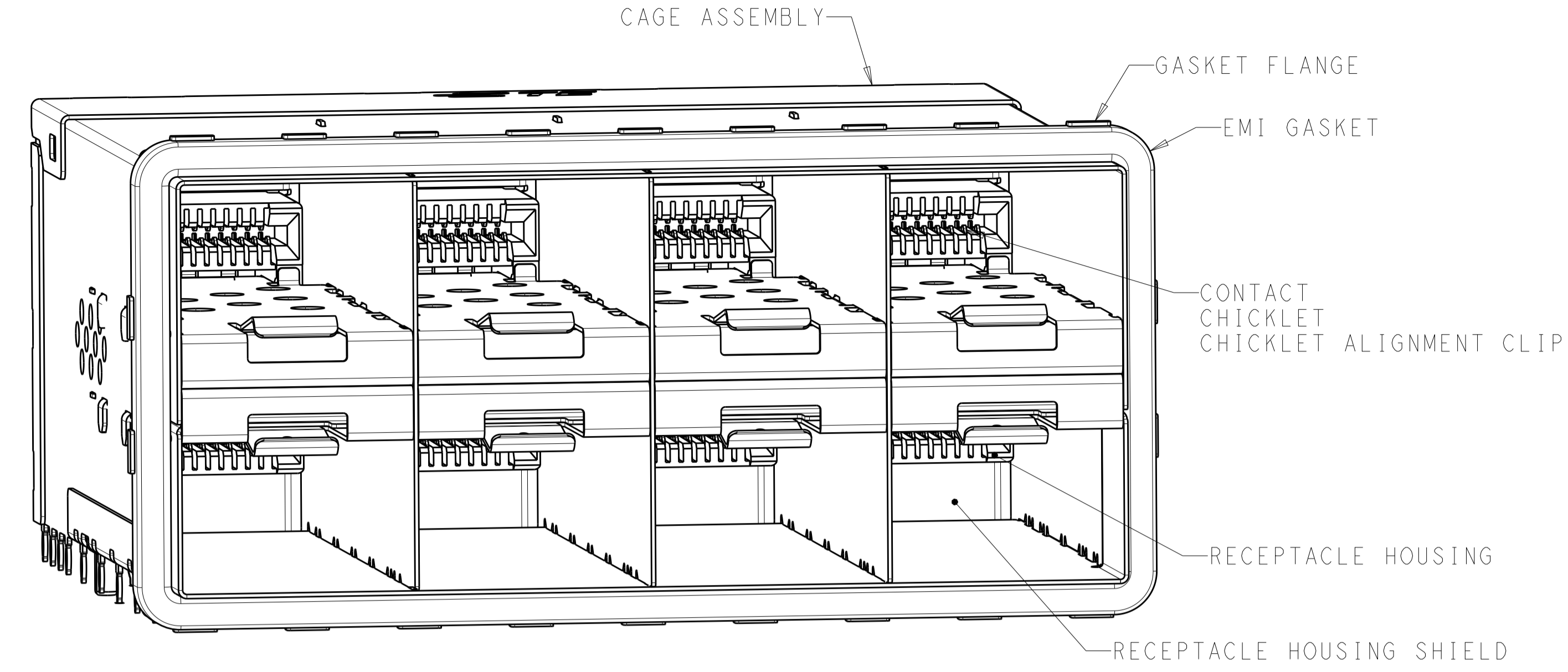
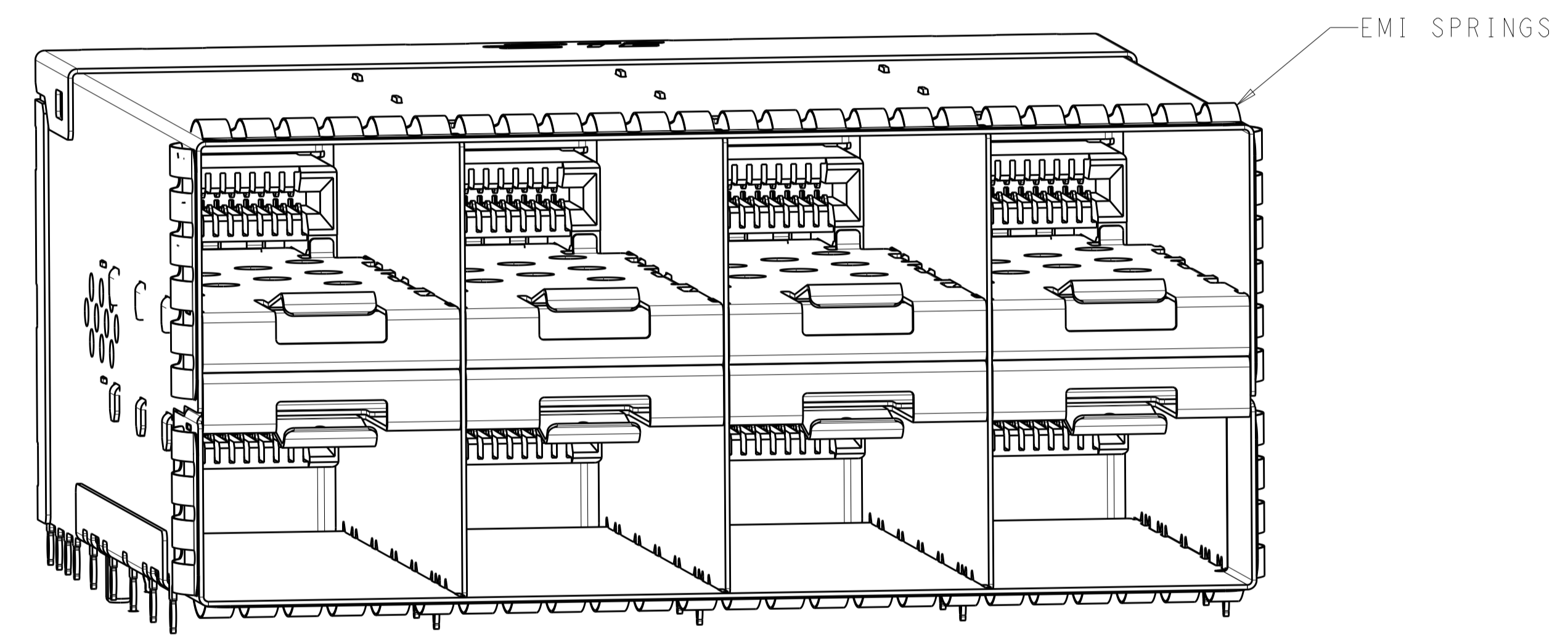


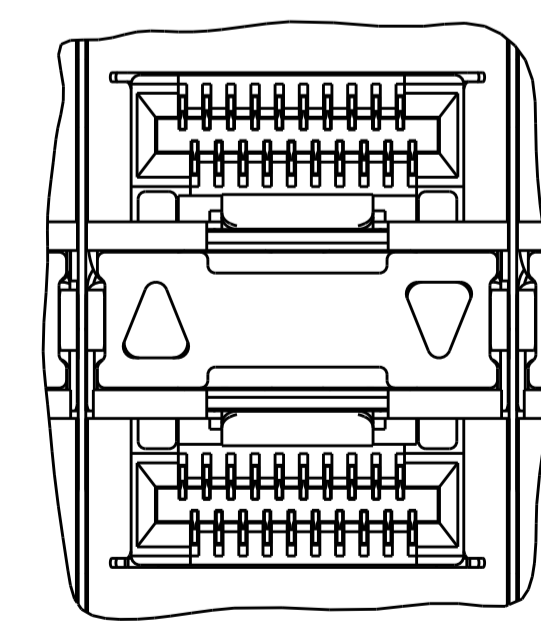
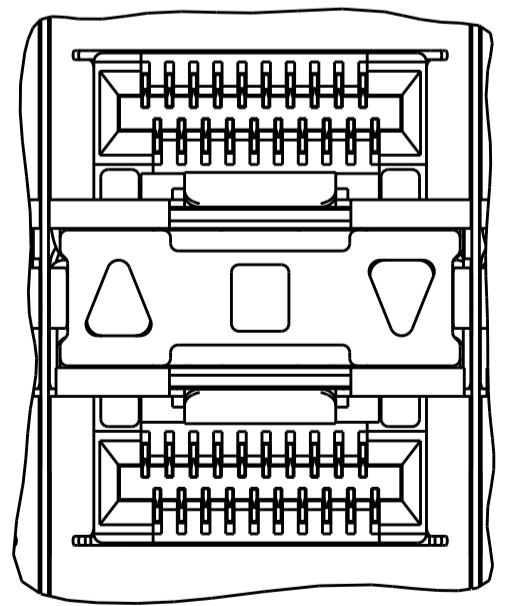
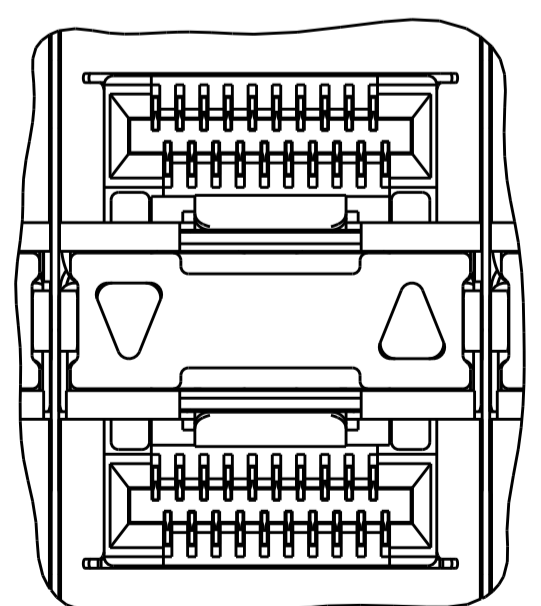
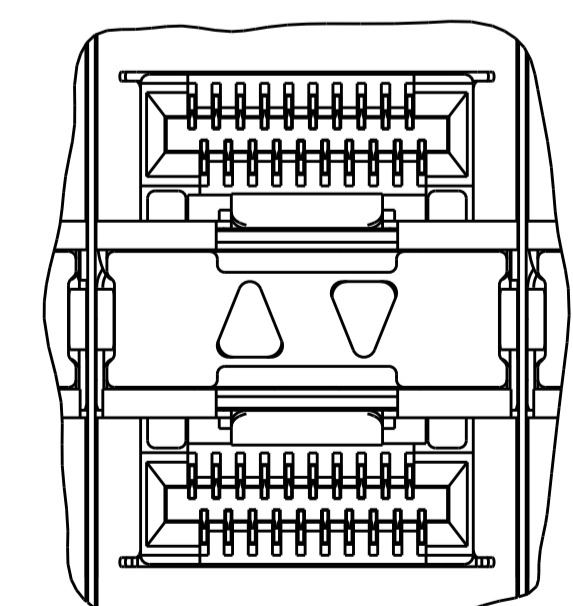
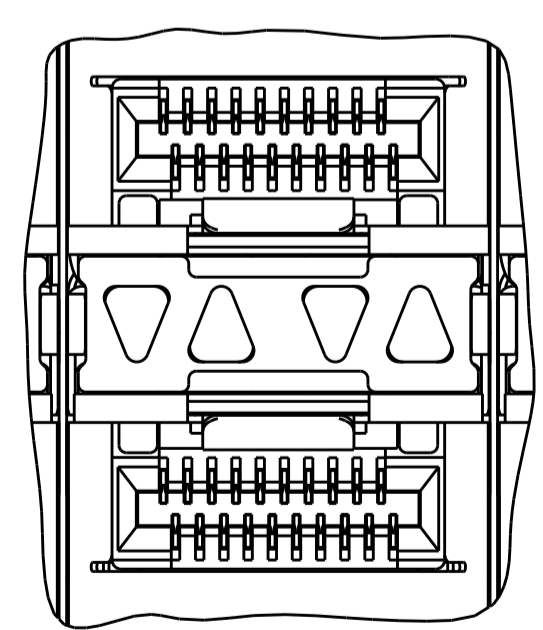
LOC	DIST	REVISIONS			
P	LTN	DESCRIPTION	DATE	OWN	APVD
A		RELEASED PER ECO-14-008758	12JUN2014	CJV	PAR
B		REVISED PER ECO-15-010819	10AUG2015	PP	SH
C		REVISED PER ECO-16-004263	18MAR2016	KQ	SH
C1		REVISED PER ECO-16-013892	11JUL2016	PP	SH



2180324-1  
SCALE 4:1



2180324-5  
SCALE 4:1



INNER/OUTER LIGHT PIPES  
2180324-2, 2180324-6  
SCALE 4:1

INNER LIGHT PIPES  
2180324-3, 2180324-7  
SCALE 4:1

OUTER LIGHT PIPES  
2180324-4, 2180324-8  
SCALE 4:1

CENTER/REVERSED OUTER  
1-2180324-7, 1-2180324-9  
SCALE 4:1

REVERSED OUTER LIGHT PIPES  
1-2180324-8, 2-2180324-0  
SCALE 4:1

- MATERIALS:  
CAGE ASSEMBLY - NICKEL-SILVER ALLOY PER ASTM B 122  
CONNECTOR HOUSING - LCP, BLACK, UL 94V-0 RATED  
CONNECTOR HOUSING SHIELD - COPPER ALLOY  
CHICKLET - LCP, BLACK, UL 94V-0 RATED  
CHICKLET ALIGNMENT CLIP - PBT  
CONTACT - COPPER ALLOY  
EMI GASKET - ELASTOMERIC  
GASKET FLANGE - STAINLESS STEEL  
EMI SPRINGS - PHOSPHOR BRONZE PER ASTM B 103,  
0.8µm MIN TIN PER ASTM B 545  
LIGHT PIPE - POLYCARBONATE  
LIGHT PIPE HOUSING - ZINC ALLOY
  - CONTACT FINISH:  
CONFORMS TO THE REQUIREMENTS OF PRODUCT SPECIFICATION 108-2481,  
BASED ON EIA/ECA-364-1000.01A, (CONTROLLED ENVIRONMENT  
APPLICATIONS) ON MATING INTERFACE, TIN ON NEEDLE EYE
  - PCB MINIMUM THICKNESS = 1.5mm
- △ FOR HOLE SIZE AND PLATINGS,  
SEE APPLICATION SPECIFICATION 114-13319
- △ LIGHT PIPE PAD LAYOUT IS FOR 0805 LOW PROFILE  
LED PACKAGE WITH A HEIGHT OF 0.8mm
- △ DIMENSIONS APPLY FOR EMI SPRINGS ONLY
- △ THE ENTIRE AREA OF THE CONNECTOR FOOTPRINT, INDICATED BY THE  
DASHED LINE, TO BE CONSIDERED THE KEEPOUT AREA FOR COMPONENTS  
AND SIGNAL TRACES, TOP SIDE ONLY, TOP SIDE TRACES ALLOWED  
WITHIN CONNECTOR HOLE PATTERN

59.5	EMI SPRING AIRFLOW ENHANCE TYPE	OUTER	3-2180324-3
59.5	EMI SPRING AIRFLOW ENHANCE TYPE	CENTER/REVERSED OUTER	3-2180324-2
59.5	EMI SPRING AIRFLOW ENHANCE TYPE	NONE	3-2180324-1
62.25	EMI GASKET AIRFLOW ENHANCE TYPE	NONE	3-2180324-0
59.5	EMI SPRINGS	REVERSED OUTER	2-2180324-0
		CENTER/REVERSED OUTER	1-2180324-9
62.25	EMI GASKET	REVERSED OUTER	1-2180324-8
		CENTER/REVERSED OUTER	1-2180324-7
59.5	EMI SPRINGS	OUTER	2180324-8
		INNER	2180324-7
		INNER/OUTER	2180324-6
62.25	EMI GASKET	NONE	2180324-5
		OUTER	2180324-4
		INNER	2180324-3
		INNER/OUTER	2180324-2
(E)	CAGE TYPE	NONE	2180324-1
		LIGHT PIPE CONFIGURATION	
		PART NUMBER	

THIS DRAWING IS A CONTROLLED DOCUMENT.

OWN: M. E. CONNER 14SEP2011  
CHK: M. D. MORRISON 16SEP2011  
APVD: M. D. MORRISON 25OCT2011

TE Connectivity

RECEPTACLE ASSEMBLY, 2X4,  
STACKED, zSFP+

SIZE: CAGE CODE DRAWING NO: A100779C=2180324  
SHEET 1 OF 7  
SCALE 2:1  
REV C1

MATERIAL: SEE NOTES  
FINISH: SEE NOTES

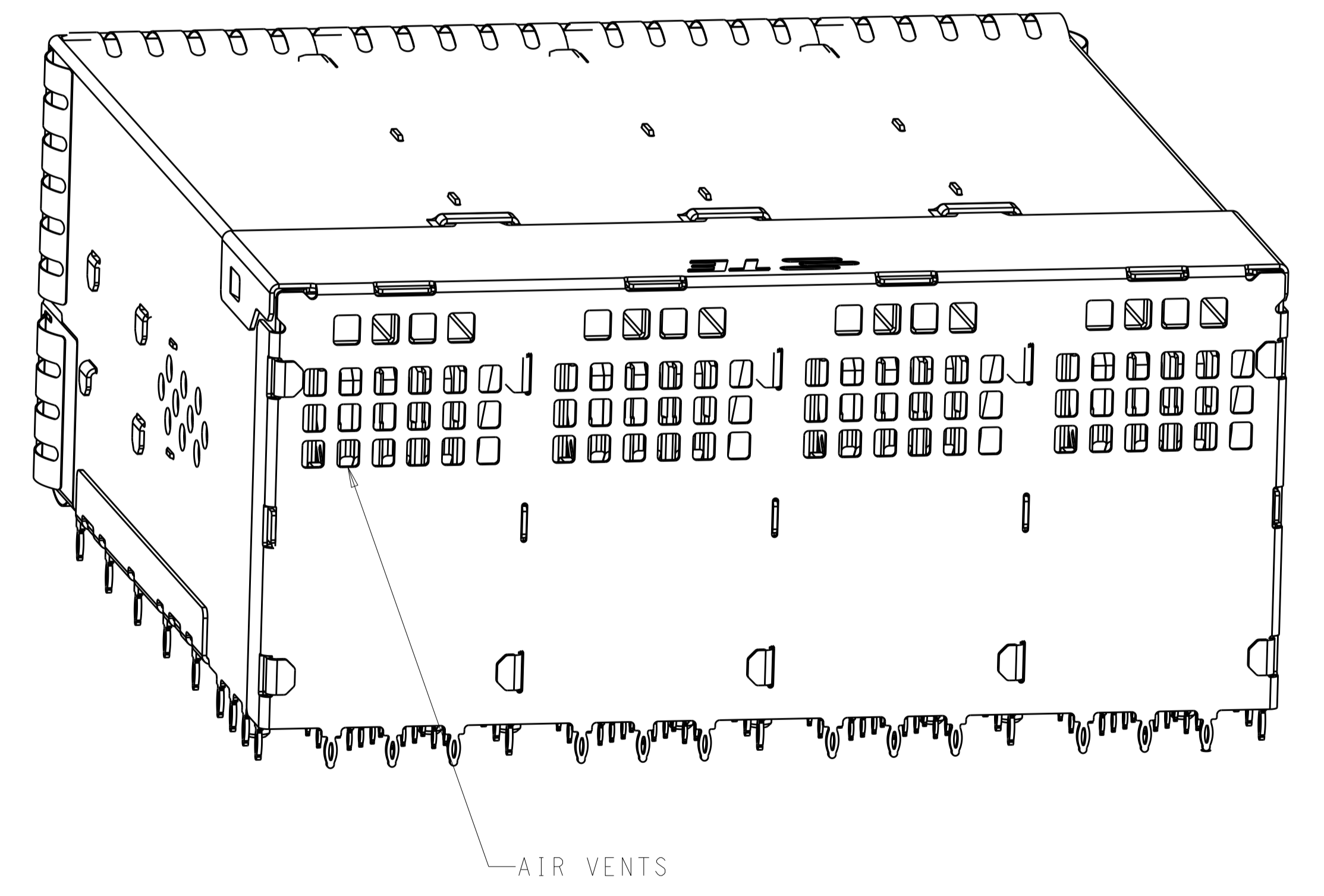
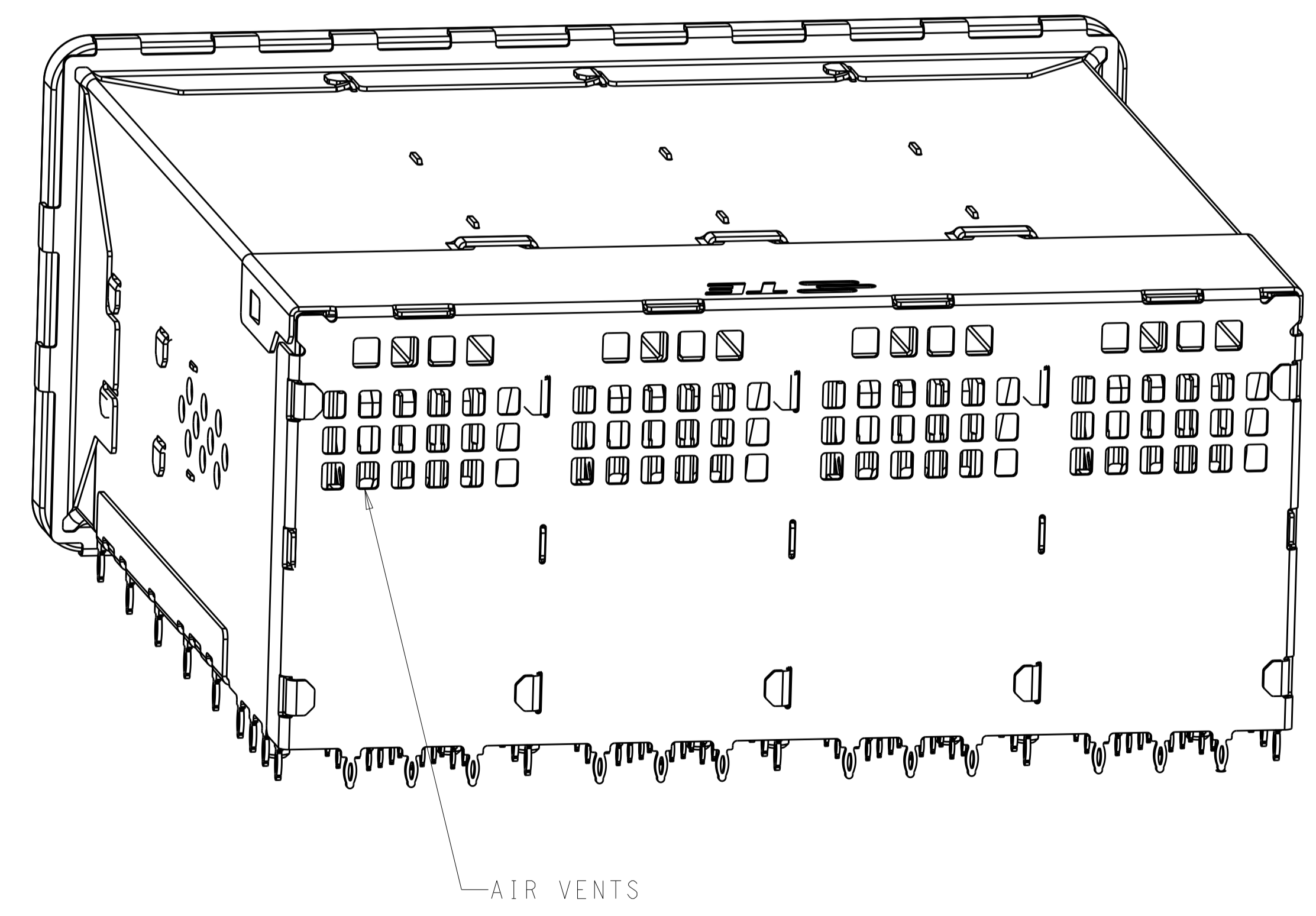
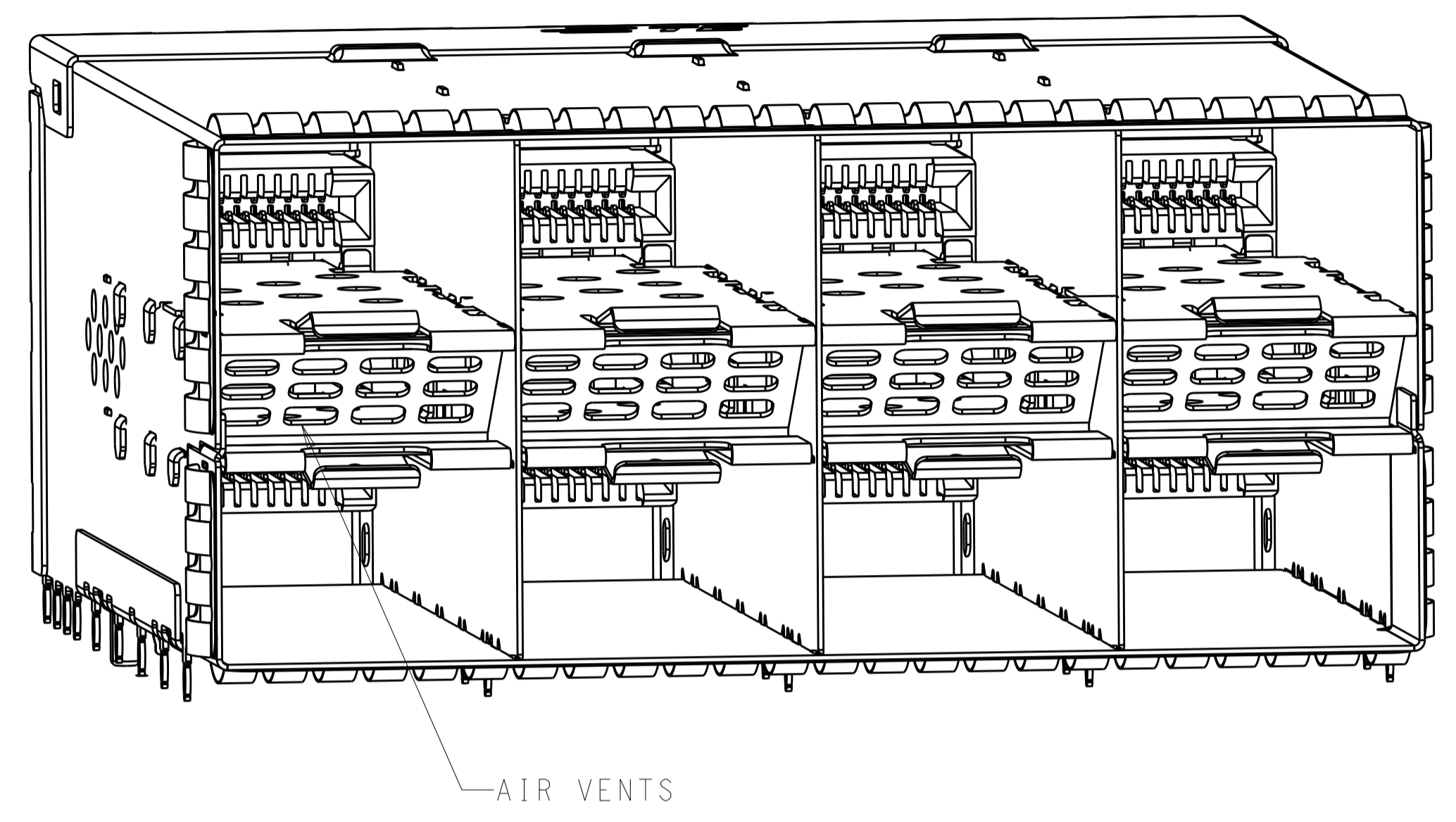
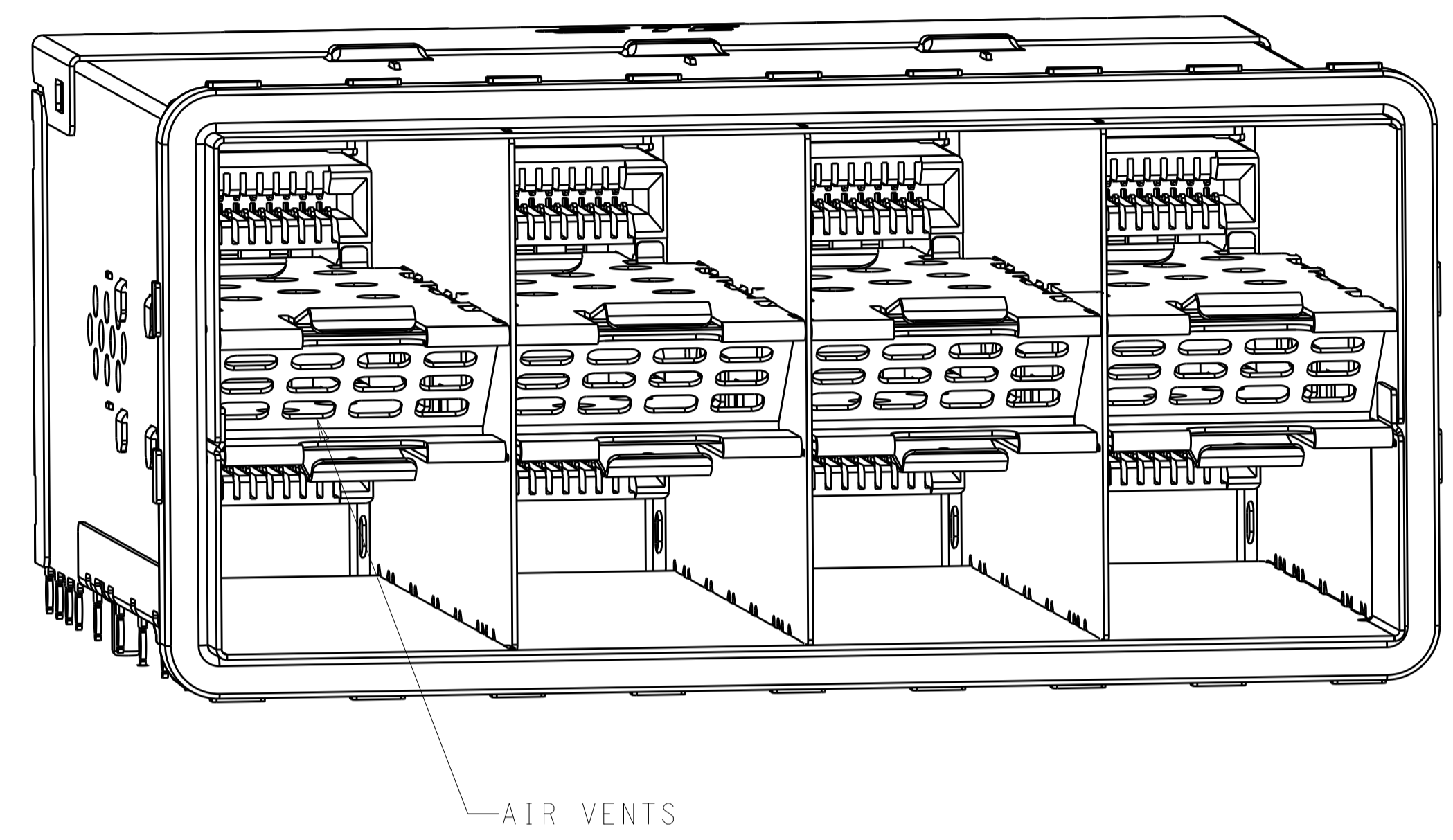
TOLERANCES UNLESS OTHERWISE SPECIFIED:  
0 PLC ±0.13  
1 PLC ±0.13  
2 PLC ±0.13  
3 PLC ±0.13  
4 PLC ±0.13  
ANGLES ±0.13

PRODUCT SPEC: 108-2481  
APPLICATION SPEC: 114-13319

WEIGHT: -  
CUSTOMER DRAWING


LOC	DIST	REVISIONS			
P	LTN	DESCRIPTION	DATE	DWN	APVD
-	-	SEE SHEET 1	-	-	-

# AIRFLOW ENHANCE W/O LP TYPE



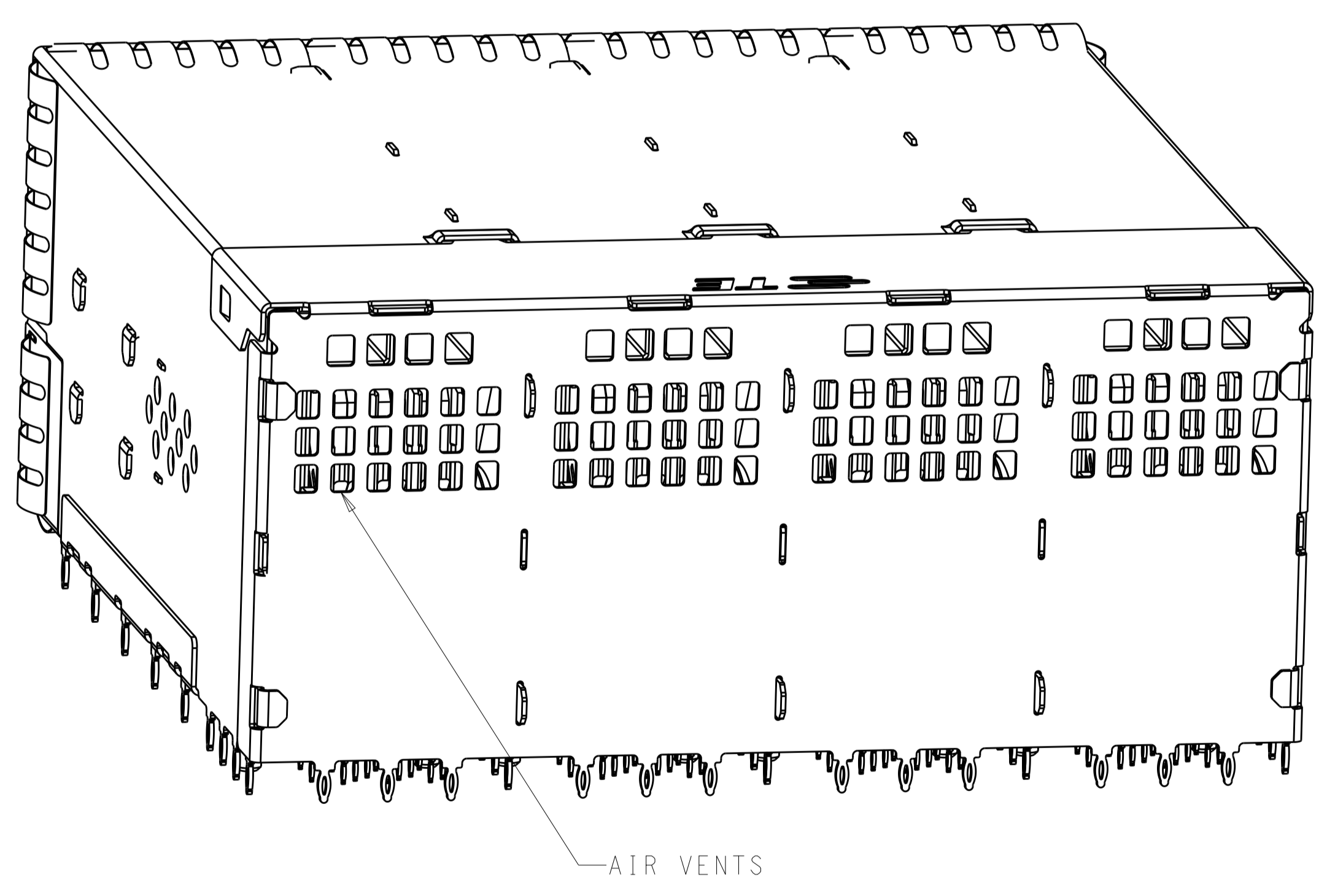
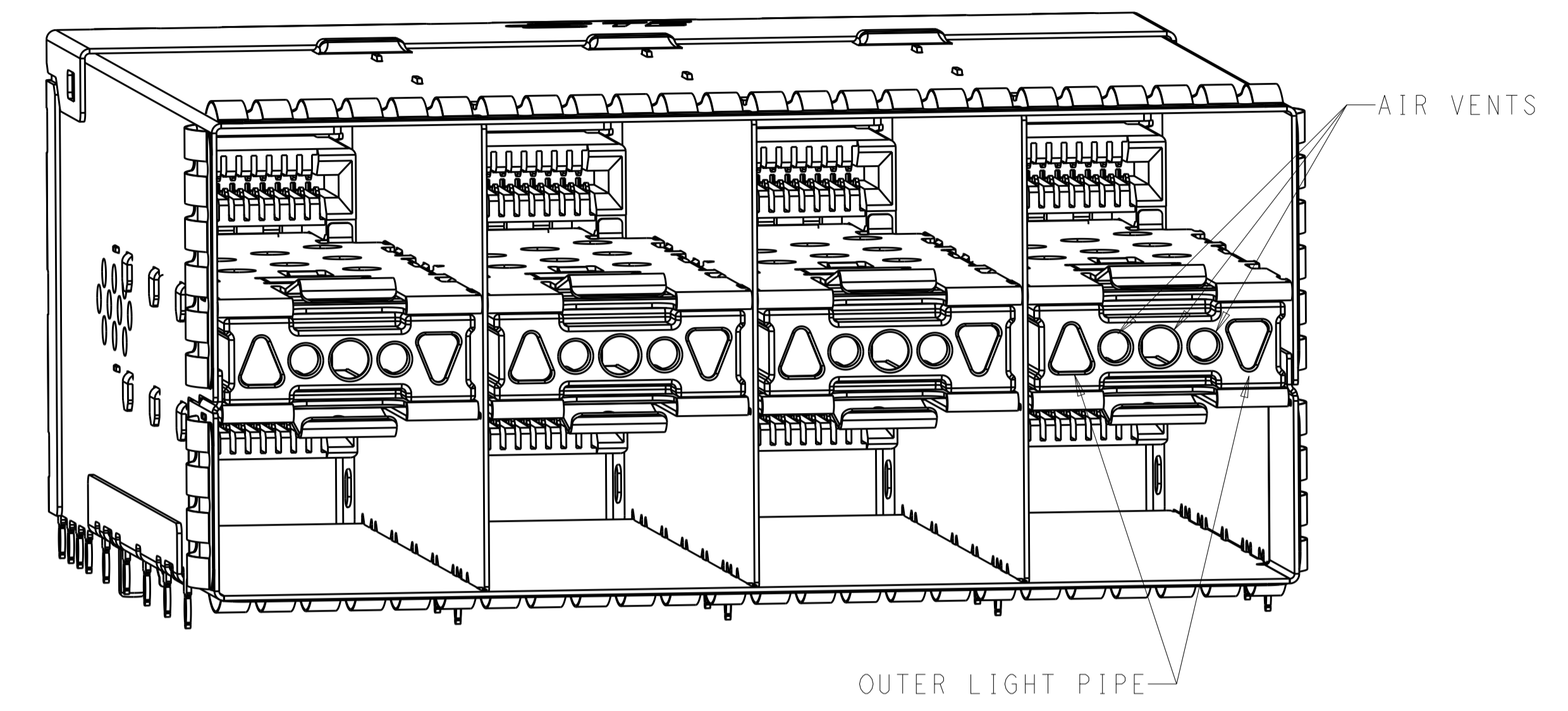
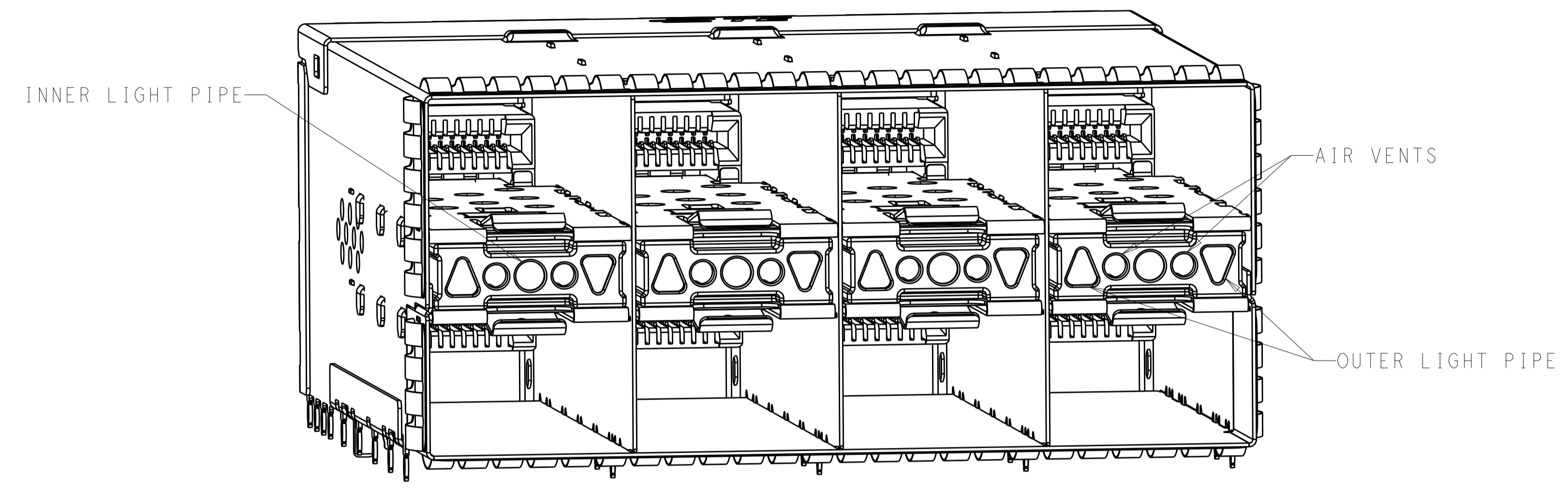
3-2180324-0  
EMI GASKET TYPE

3-2180324-1  
EMI SPRING TYPE

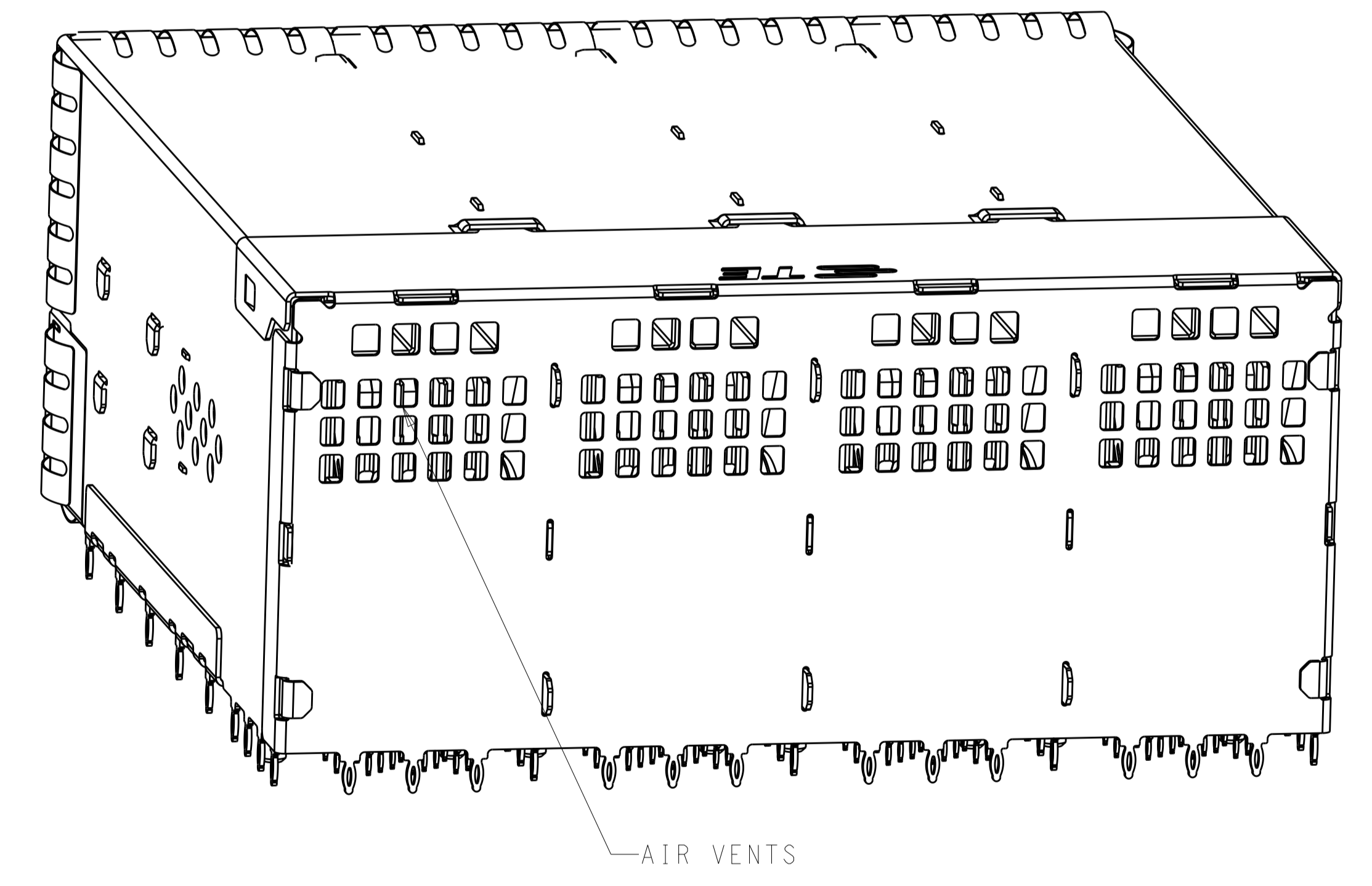
THIS DRAWING IS A CONTROLLED DOCUMENT.		DWN: M.E. CONNER 14SEP2011	 TE Connectivity
DIMENSIONS: mm		CHK: M.D. MORRISON 16SEP2011	
TOLERANCES UNLESS OTHERWISE SPECIFIED: 0 PLC ±0.13 1 PLC ±0.13 2 PLC ±0.13 3 PLC ±0.13 4 PLC ±0.13 ANGLES ±0.13		APVD: M.D. MORRISON 25OCT2011	NAME: RECEPTACLE ASSEMBLY, 2X4, STACKED, zSFP+
MATERIAL: SEE NOTES		FINISH: SEE NOTES	SIZE: CAGE CODE DRAWING NO. RESTRICTED TO
		PRODUCT SPEC: 108-2481	A100779C=2180324
		APPLICATION SPEC: 114-13319	SCALE: 2:1 SHEET 2 OF 7 REV: C1
		WEIGHT: -	CUSTOMER DRAWING

LOC		DIST		REVISIONS			
GP	00	P	LYR	DESCRIPTION	DATE	OWN	APVD
		-		SEE SHEET 1			


# AIRFLOW ENHANCE W/ LP TYPE



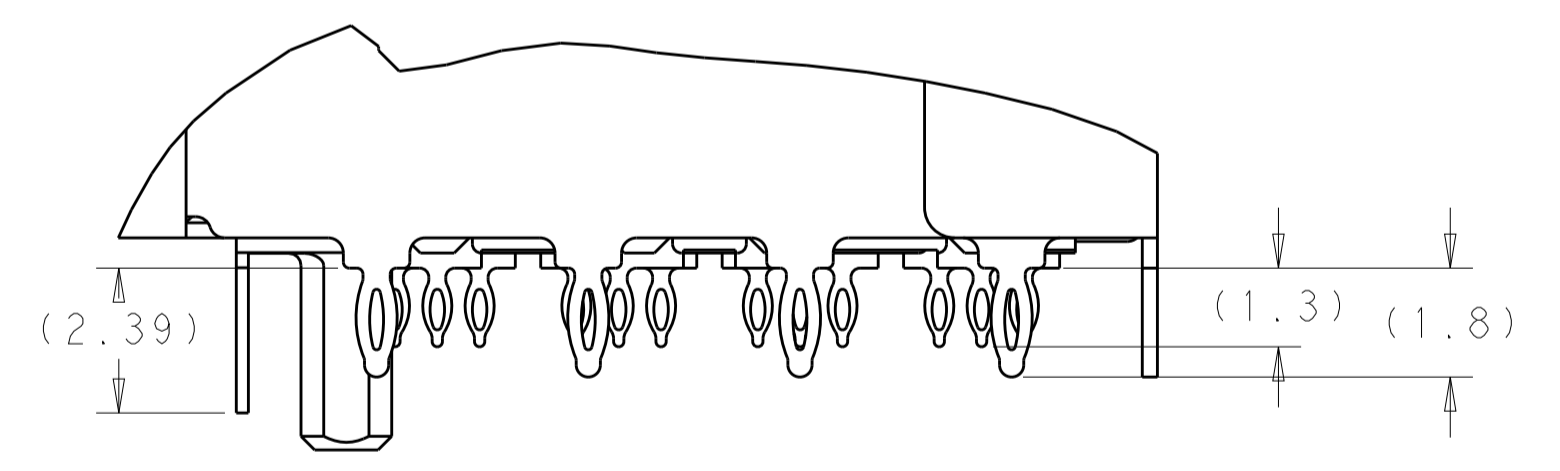
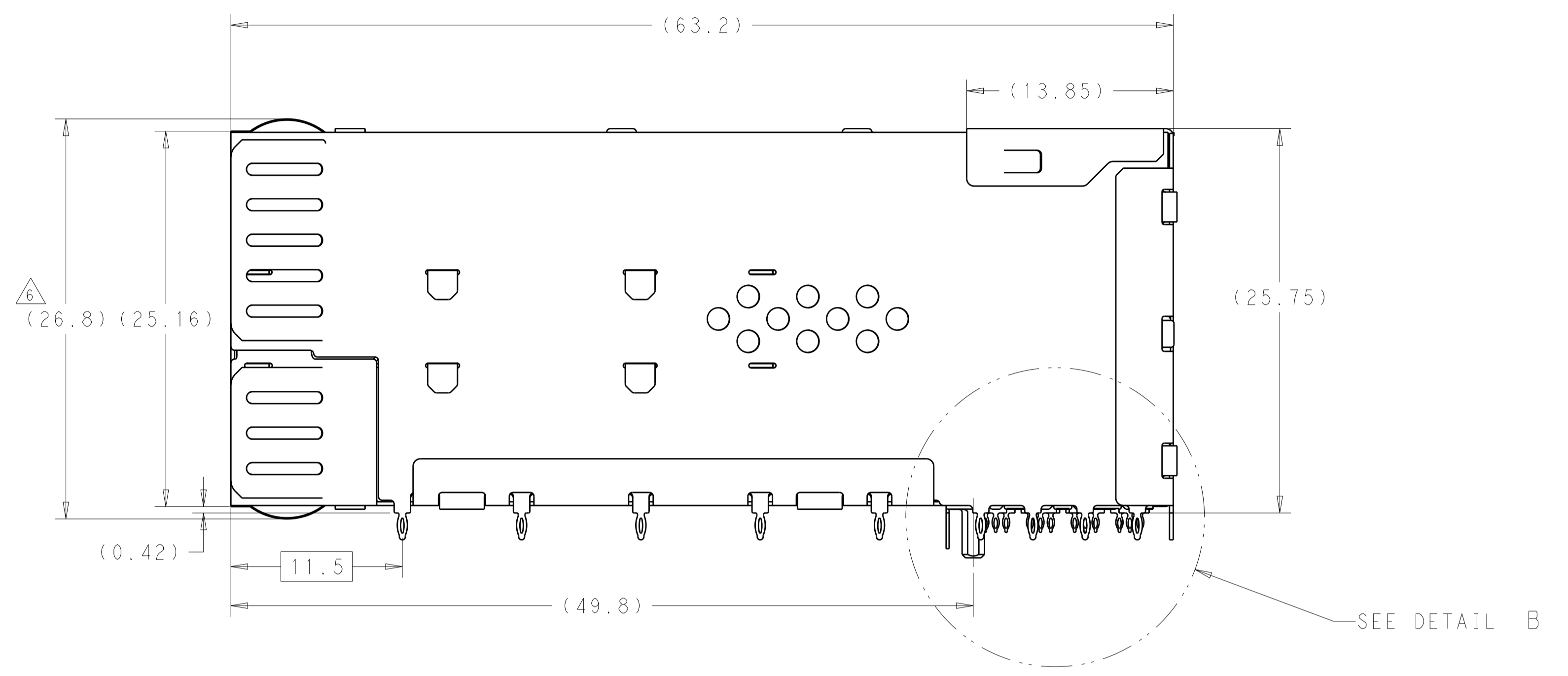
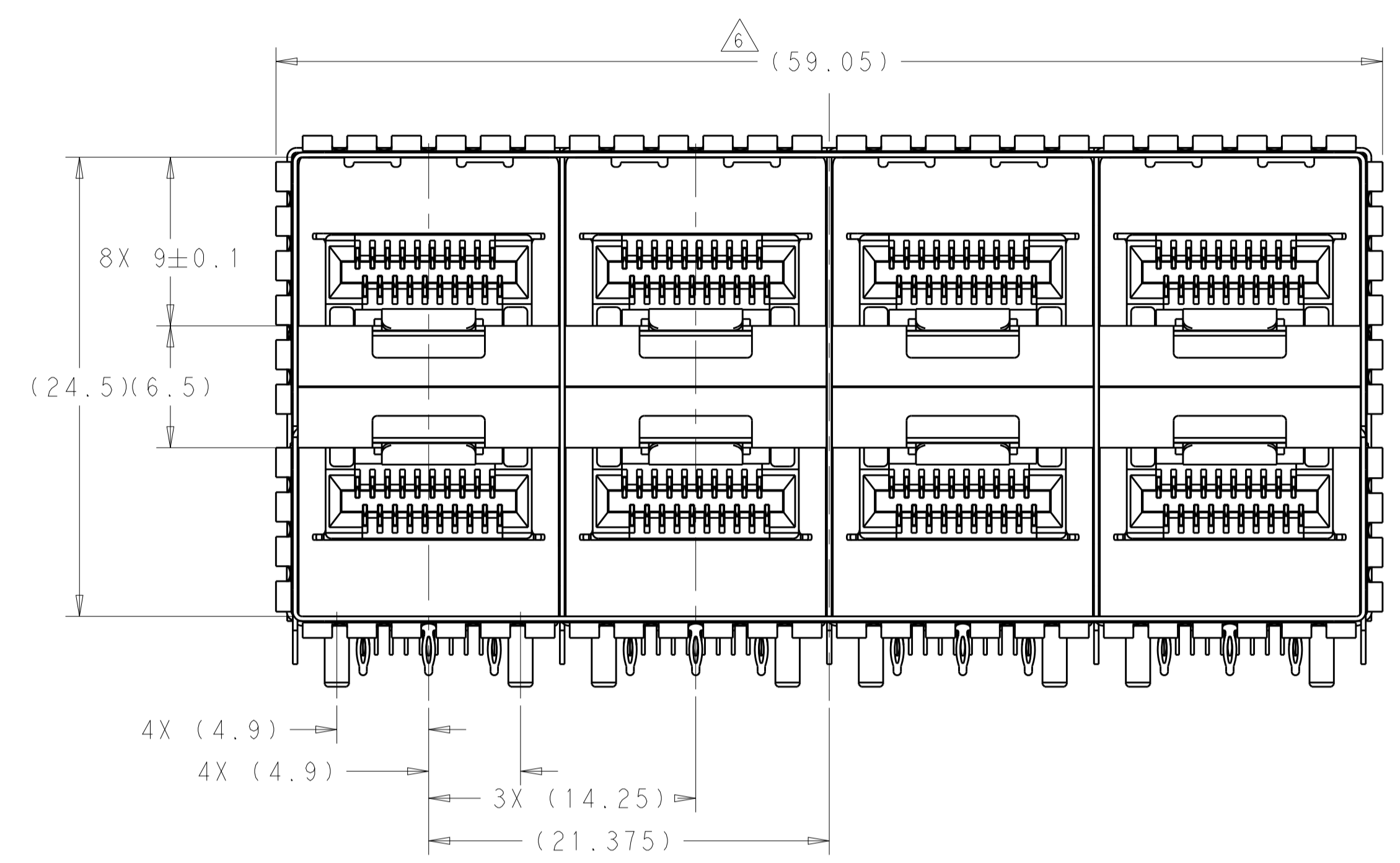
3-2180324-2  
EMI SPRING W/ LP TYPE



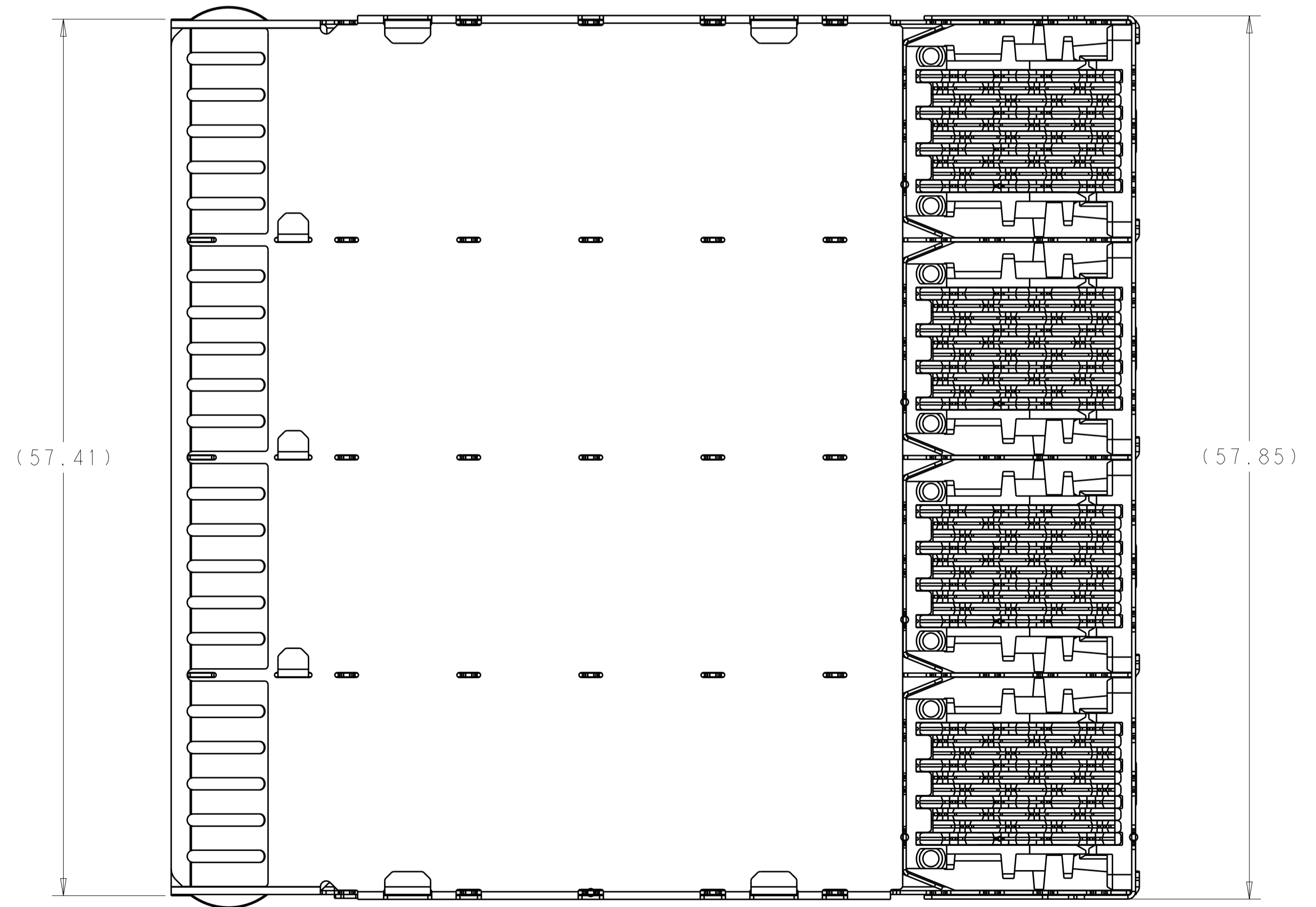
3-2180324-3  
EMI SPRING W/ OUTER LP TYPE

THIS DRAWING IS A CONTROLLED DOCUMENT.		OWN: M.E. CONNER 14SEP2011	 TE Connectivity
DIMENSIONS: mm		CHK: M.D. MORRISON 16SEP2011	
TOLERANCES UNLESS OTHERWISE SPECIFIED:		APVD: M.D. MORRISON 25OCT2011	NAME: RECEPTACLE ASSEMBLY, 2X4, STACKED, zSFP+
0 PLC ±0.13 1 PLC ±0.13 2 PLC ±0.13 3 PLC ±0.13 4 PLC ±0.13 ANGLES ±0.13		PRODUCT SPEC: 108-2481	SIZE: A1
MATERIAL: SEE NOTES		APPLICATION SPEC: 114-13319	CAGE CODE: 2180324
FINISH: SEE NOTES		WEIGHT: -	SCALE: 2:1
		CUSTOMER DRAWING	SHEET 3 OF 7

LOC	DIST	REVISIONS			
P	LTN	DESCRIPTION	DATE	DMN	APVD
-	-	SEE SHEET 1	-	-	-



DETAIL B  
SCALE 8:1



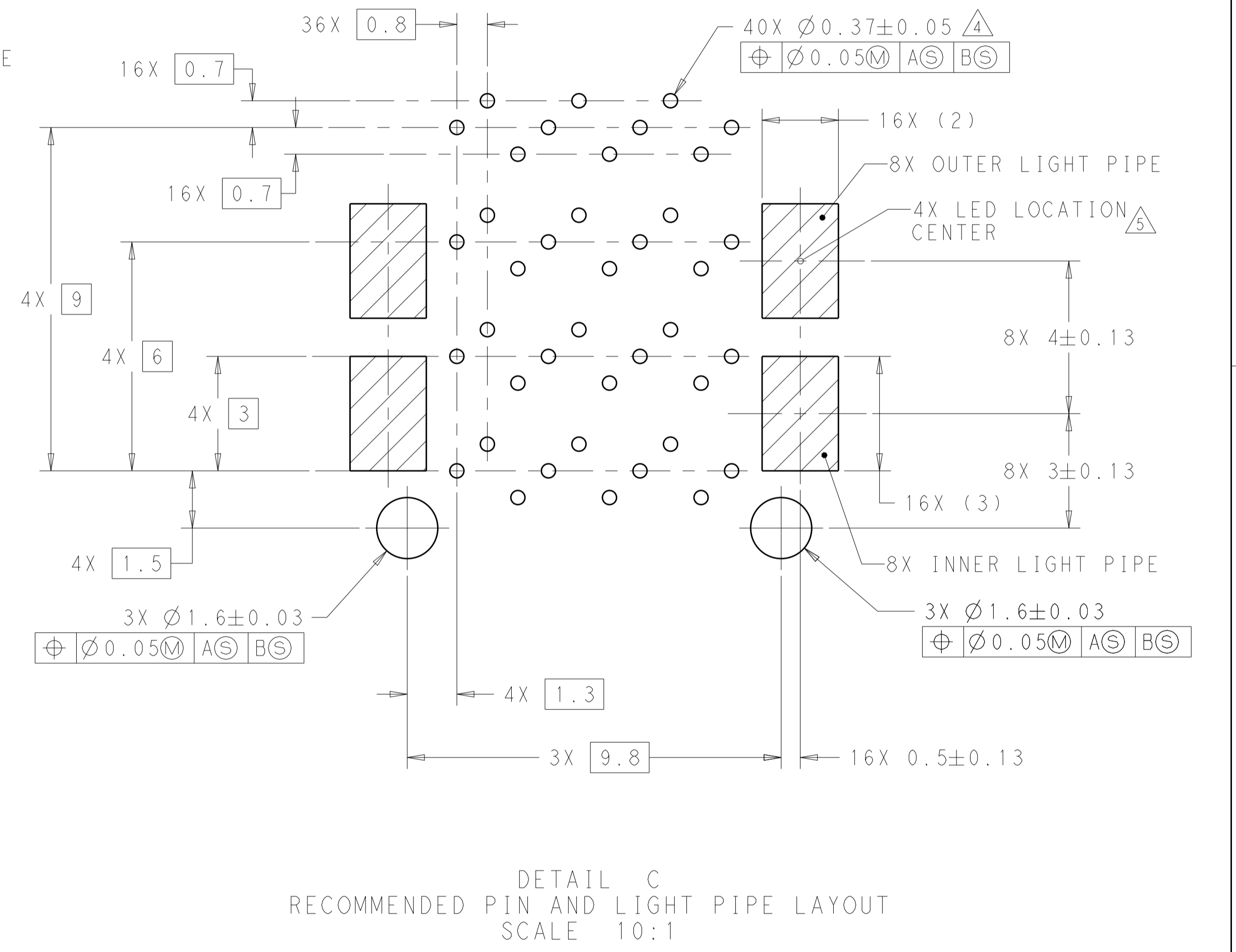
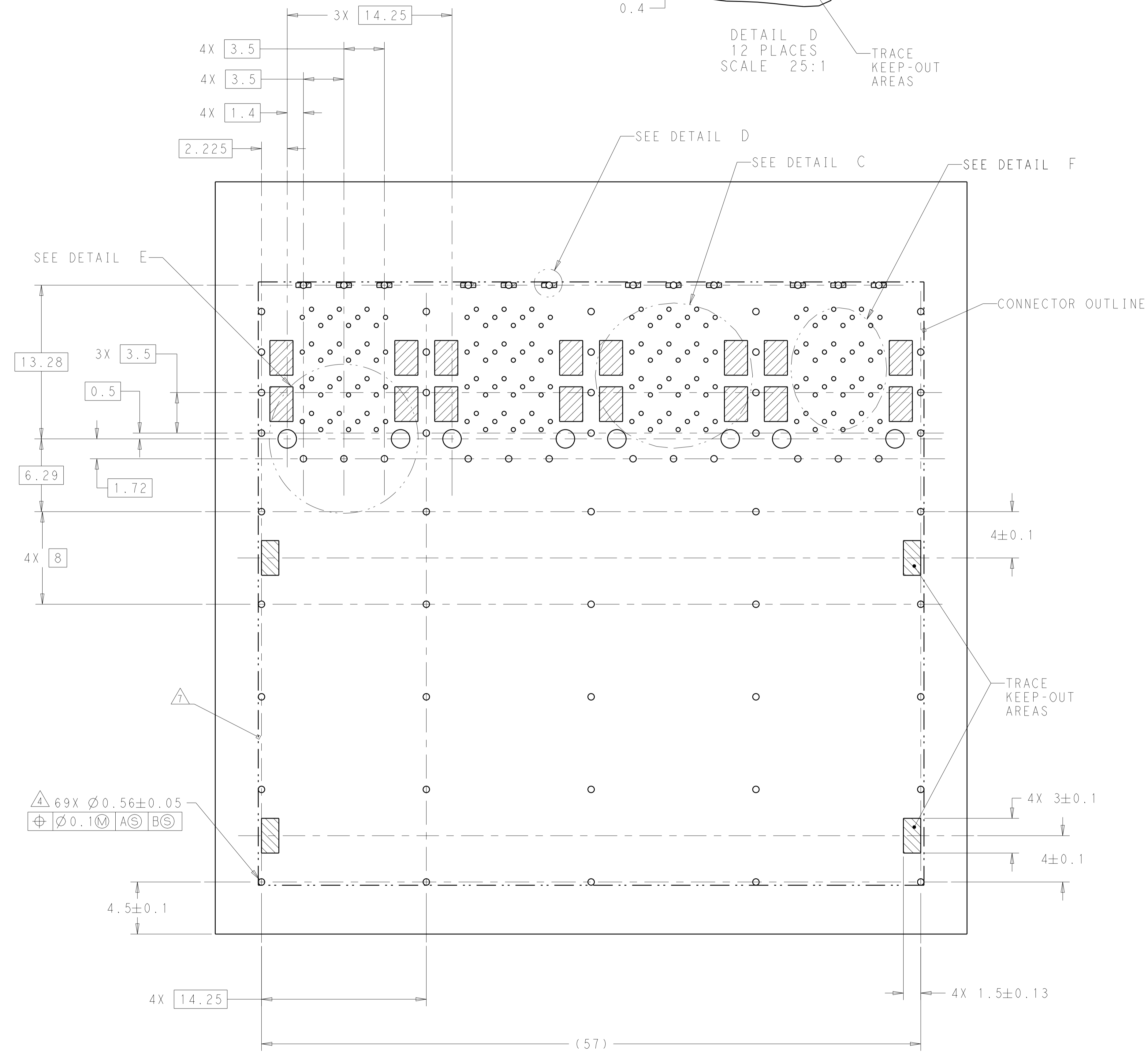
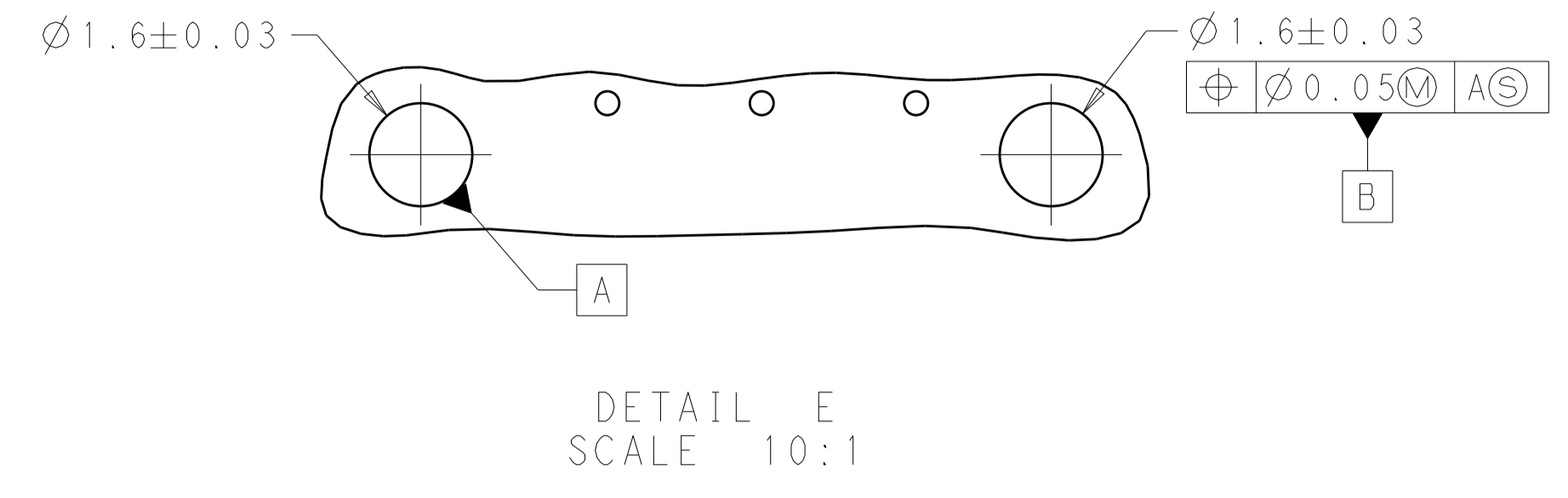
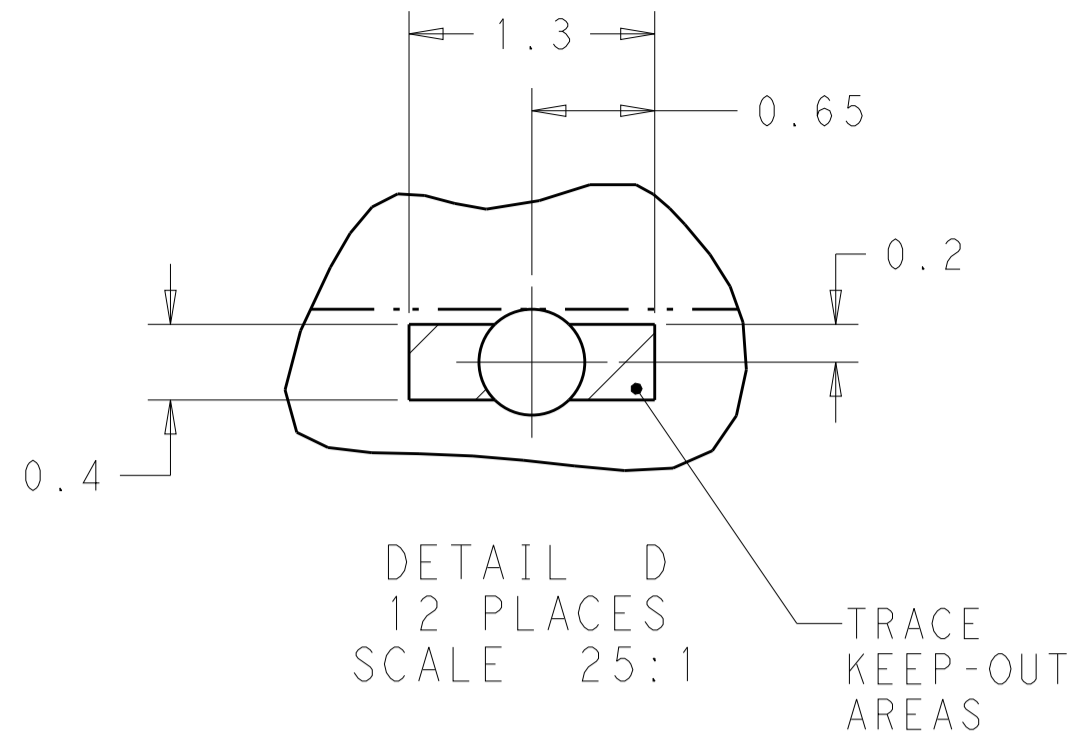
2180324-5 THRU 2180324-8, 1-2180324-9, 2-2180324-0, 3-2180324-1, 3-2180324-2, 3-2180324-3  
 EMI SPRINGS ONLY  
 SCALE 4:1

THIS DRAWING IS A CONTROLLED DOCUMENT.		DMN: M. E. CONNER 14SEP2011	TE Connectivity
DIMENSIONS: mm		CHK: M. D. MORRISON 16SEP2011	
TOLERANCES UNLESS OTHERWISE SPECIFIED:		APVD: M. D. MORRISON 25OCT2011	NAME: RECEPTACLE ASSEMBLY, 2X4, STACKED, zSFP+
0 PLC ±0.13 1 PLC ±0.13 2 PLC ±0.13 3 PLC ±0.13 4 PLC ±0.13 ANGLES ±0.13		PRODUCT SPEC: 108-2481	SIZE: A100779
MATERIAL: SEE NOTES		APPLICATION SPEC: 114-13319	CAGE CODE: C=2180324
FINISH: SEE NOTES		WEIGHT: -	RESTRICTED TO: -
CUSTOMER DRAWING		SCALE: 2:1	SHEET 4 OF 7





LOC		DIST		REVISIONS			
GP	00	P	LYR	DESCRIPTION	DATE	OWN	APVD
		-	-	SEE SHEET 1	-	-	-



THIS DRAWING IS A CONTROLLED DOCUMENT.		OWN: M.E. CONNER 14SEP2011	TE Connectivity
DIMENSIONS: mm		CHK: M.D. MORRISON 16SEP2011	
TOLERANCES UNLESS OTHERWISE SPECIFIED:		APVD: M.D. MORRISON 25OCT2011	NAME: RECEPTACLE ASSEMBLY, 2X4, STACKED, zSFP+
0 PLC ±0.13		PRODUCT SPEC: 108-2481	SIZE: CAGE CODE DRAWING NO. RESTRICTED TO
1 PLC ±0.13		APPLICATION SPEC: 114-13319	A100779C=2180324
2 PLC ±0.13		WEIGHT: -	SCALE: 2:1 SHEET 6 OF 7 REV: C1
3 PLC ±0.13		CUSTOMER DRAWING	
4 PLC ±0.13			
ANGLES ±0.13			
MATERIAL: SEE NOTES			
FINISH: SEE NOTES			

LOC	DIST	REV	DATE	BY	APPV
GP	00				

REVISIONS		DATE	BY	APPV
-	SEE SHEET 1	-	-	-

T19 ○ T16 ○ T13 ○  
 T20 ○ T17 ○ T14 ○ T11 ○  
 T18 ○ T15 ○ T12 ○

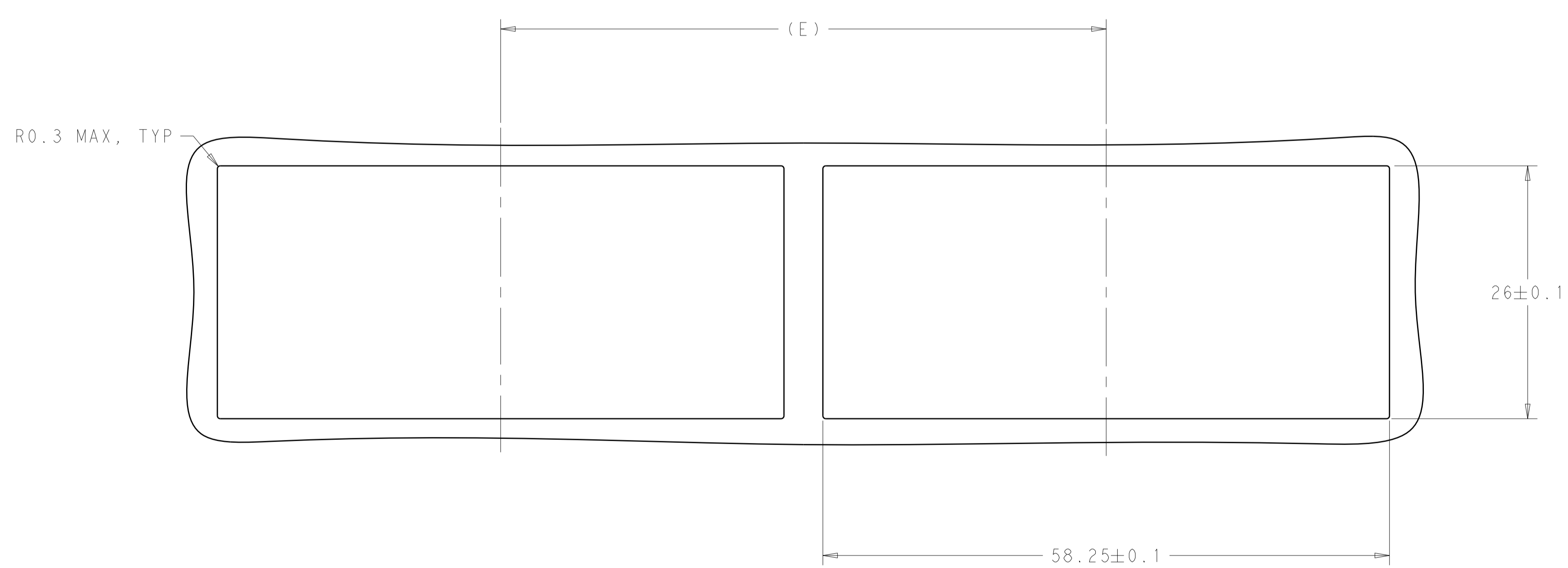
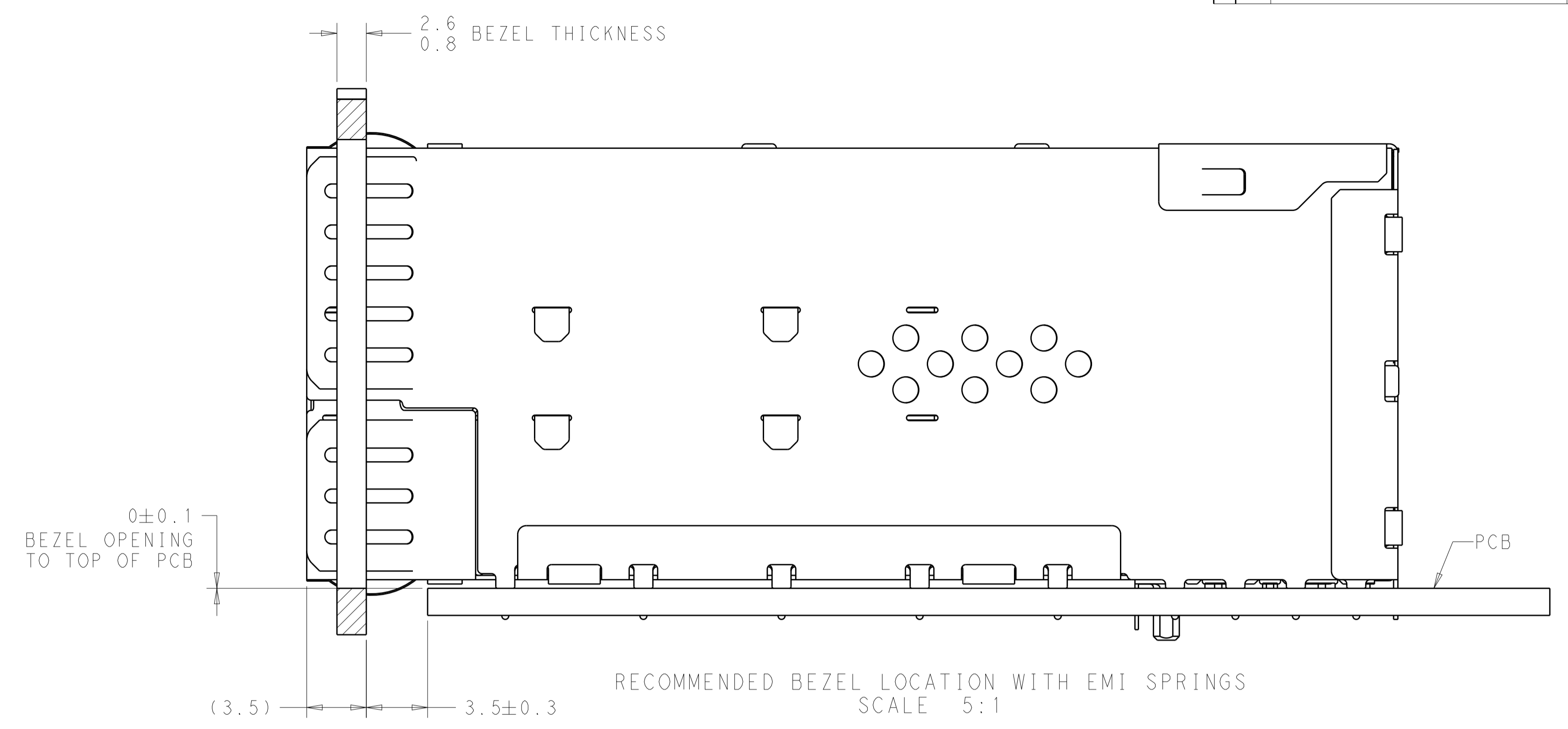
T2 ○ T5 ○ T8 ○  
 T1 ○ T4 ○ T7 ○ T10 ○  
 T3 ○ T6 ○ T9 ○

L9 ○ L6 ○ L3 ○  
 L10 ○ L7 ○ L4 ○ L1 ○  
 L8 ○ L5 ○ L2 ○

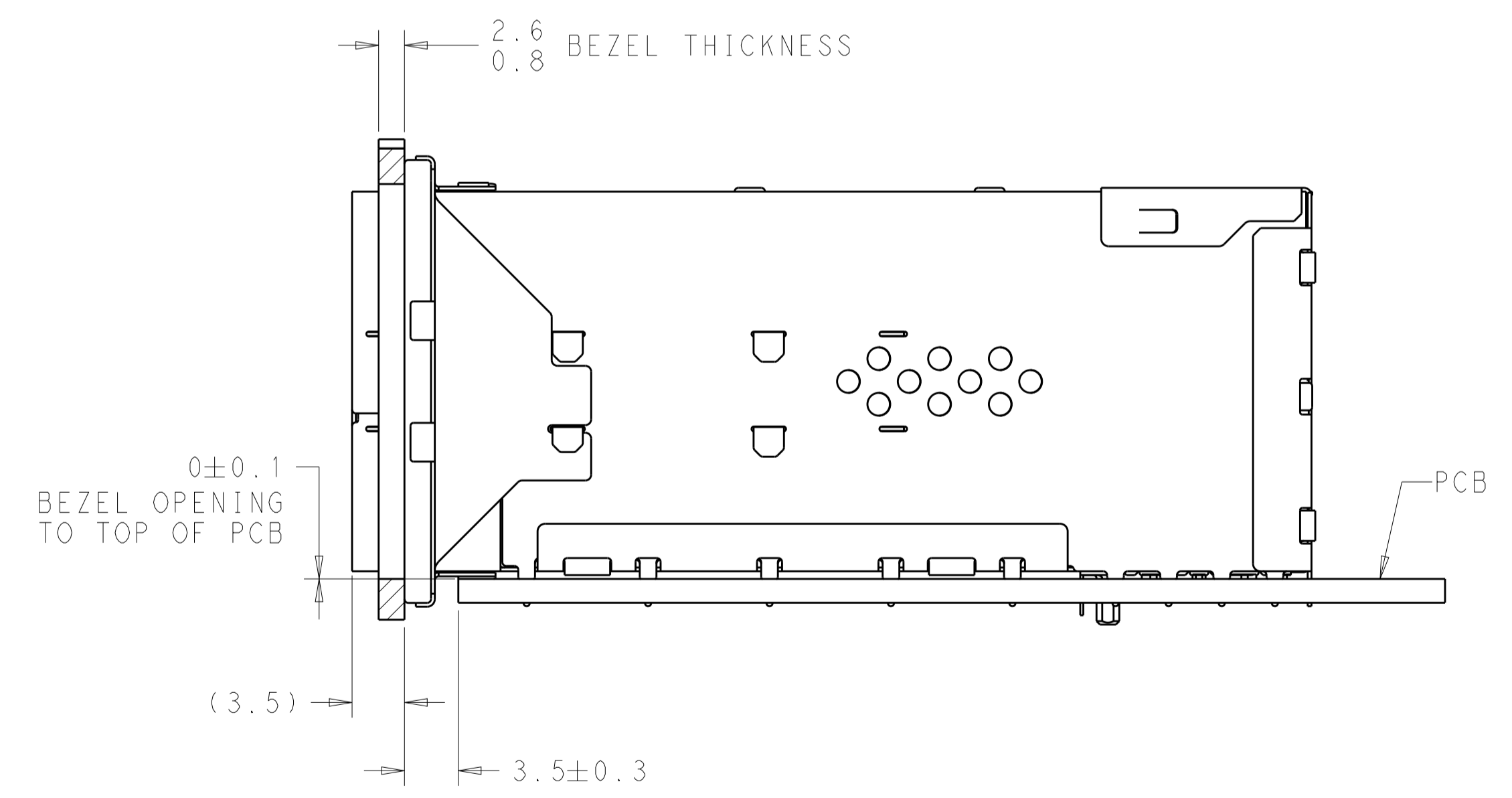
L12 ○ L15 ○ L18 ○  
 L11 ○ L14 ○ L17 ○ L20 ○  
 L13 ○ L16 ○ L19 ○

PIN MAP LEGEND	
PIN NUMBER	FUNCTION
L1/T1	VEET
L2/T2	TX-FAULT
L3/T3	TX-DISABLE
L4/T4	SDA
L5/T5	SCL
L6/T6	MOD_ABS
L7/T7	RS0
L8/T8	RX_LOS
L9/T9	RS1
L10/T10	VEER
L11/T11	VEER
L12/T12	RD-
L13/T13	RD+
L14/T14	VEER
L15/T15	VCCR
L16/T16	VCCT
L17/T17	VEET
L18/T18	TD+
L19/T19	TD-
L20/T20	VEET

DETAIL F  
 PIN MAP  
 4 PLACES  
 SCALE 15:1



RECOMMENDED BEZEL CUT-OUT DETAIL  
 SCALE 3:1



THIS DRAWING IS A CONTROLLED DOCUMENT.		OWN: M.E. CONNER 14SEP2011	TE Connectivity
DIMENSIONS: mm		CHK: M.D. MORRISON 16SEP2011	
TOLERANCES UNLESS OTHERWISE SPECIFIED:		APVD: M.D. MORRISON 25OCT2011	NAME: RECEPTACLE ASSEMBLY, 2X4, STACKED, zSFP+
0 PLC ±0.13	1 PLC ±0.13	PRODUCT SPEC: 108-2481	SIZE: CAGE CODE DRAWING NO: A100779C=2180324
2 PLC ±0.13	3 PLC ±0.13	APPLICATION SPEC: 114-13319	RESTRICTED TO: -
4 PLC ±0.13	ANGLES ±0.13	WEIGHT: -	SCALE: 2:1 SHEET 7 OF 7 REV: C1
MATERIAL: SEE NOTES	FINISH: SEE NOTES	CUSTOMER DRAWING	