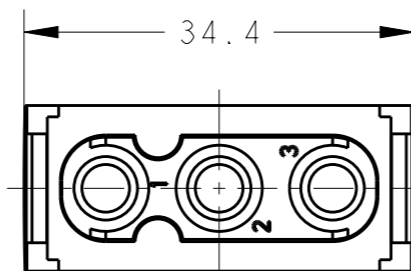
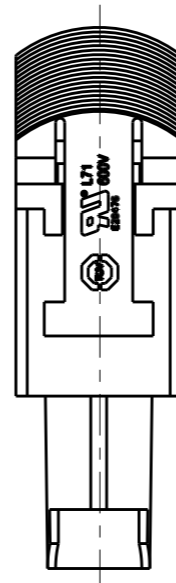
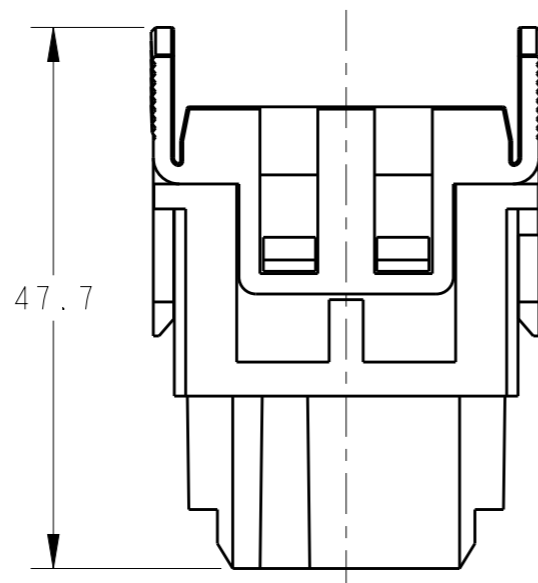
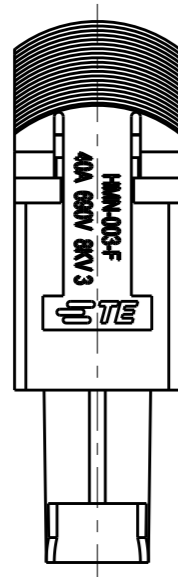
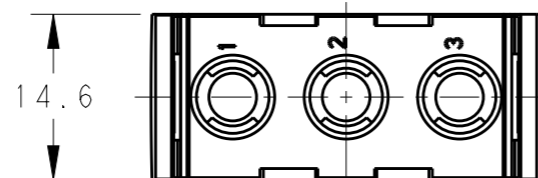
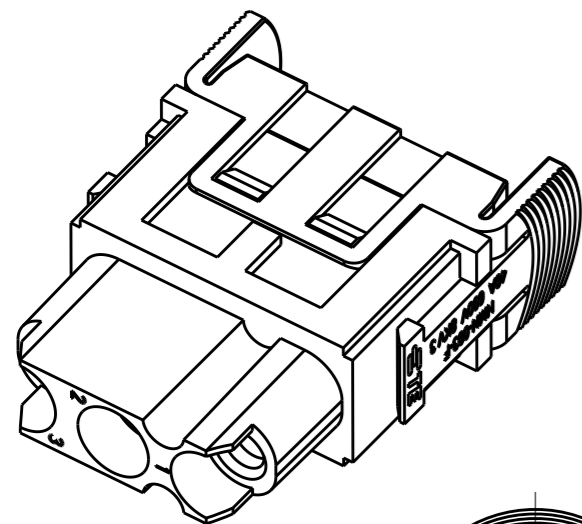


REVISIONS

P	LTR	DESCRIPTION	DATE	DWN	APVD
	A	INITIAL	16APR2015	DW	CW
	B	ECR-15-018270	09DEC2015	DW	CW



NOTES:

- TECHNICAL CHARACTERISTICS:
 INSULATION MATERIAL: PC
 RATED VOLTAGE: 690V
 RATED CURRENT: 40A
 INSULATION RESISTANCE: $\geq 400M\Omega$
 RATED IMPULSE VOLTAGE: 8KV
 POLLUTION DEGREE: 3
 FLAMMABILITY: UL94V-0
 MATING CYCLES: 500 CYCLES
 OPERATION TEMPERATURE: $-40\sim+125^{\circ}C$
 WIRE RANGE: $1\sim6\text{ mm}^2$ (18~10 AWG)
 CONTACT TYPE: CRIMP CONTACT
- CONTACT NEED TO BE ORDERED SEPARATELY.
 (ORDER No. REFER TO DRAWING:T20400X20XX000)

注释:

- 技术参数:
 绝缘材料: PC
 额定电压: 690V
 额定电流: 40A
 绝缘电阻: $\geq 400M\Omega$
 额定脉冲电压: 8KV
 污染等级: 3
 阻燃等级: UL94V-0
 插拔次数: 500次
 工作温度: $-40\sim+125^{\circ}C$
 接线范围: $1\sim6\text{ mm}^2$ (18~10 AWG)
 接线类型: 冷压接
- 端子需要单独订购.
 (订货号参考图面: T20400X20XX000)

HMN-003-F	T2111032201-000
DESCRIPTION	PART NUMBER

THIS DRAWING IS A CONTROLLED DOCUMENT.

DIMENSIONS:	TOLERANCES UNLESS OTHERWISE SPECIFIED:
mm	
	0 PLC \pm
	1 PLC \pm
	2 PLC \pm
	3 PLC \pm
	4 PLC \pm
	ANGLES \pm
MATERIAL	FINISH
-	-
-	-

DWN	16APR2015
David Wang	
CHK	16APR2015
Chris Wang	
APVD	16APR2015
Xiang Xu	
PRODUCT SPEC	108-137118
APPLICATION SPEC	114-137118
WEIGHT	-
Customer Drawing	

		TE Connectivity	
		NAME	
HMN-003-F		RESTRICTED TO	
SIZE	CAGE CODE	DRAWING NO	
A3	00779	T2111032201000	-
SCALE		SHEET	REV
3:2		1 OF 1	B