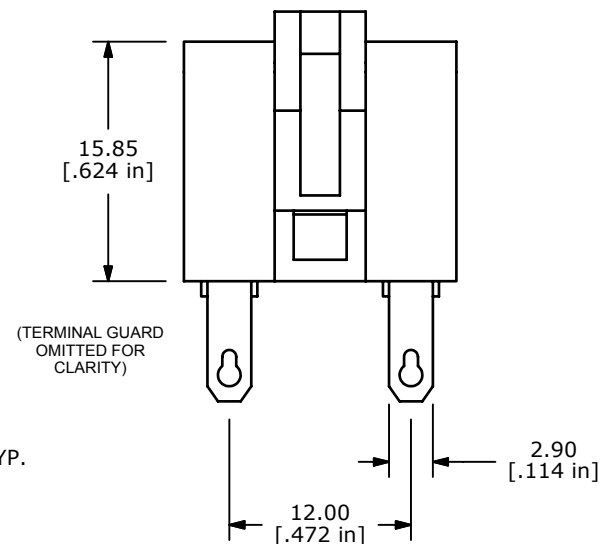
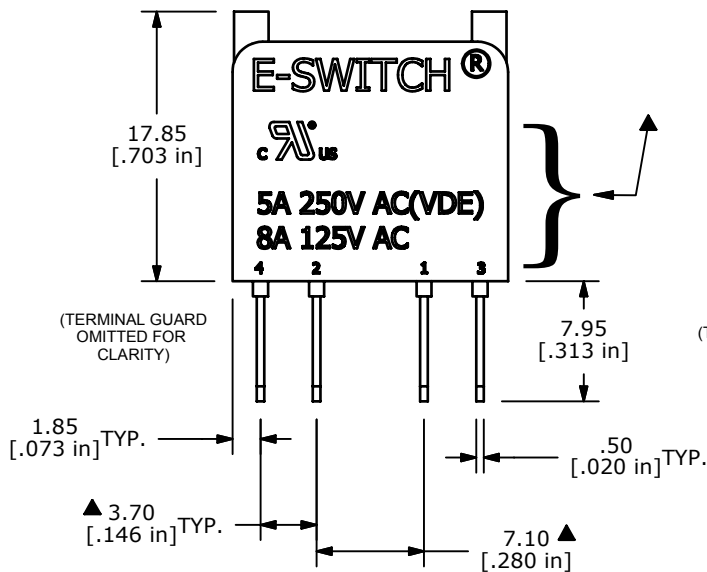


CIRCUIT: DPDT

NOTE:

1. ALL DIMENSIONS IN MM [INCH]
2. GENERAL TOLERANCE: X.X=±0.4
X.XX=±0.25
3. TERMINAL NUMBERS FOR REF ONLY
4. RATING: UL: 5A @ 250VAC; 8A @125VAC,
VDE: 5A@ 250VAC
5. INSULATION RESISTANCE: 50 MEGA-OHMS (INITIAL)
6. ELECTRICAL LIFE: 30,000 MAKE-AND-BREAK CYCLES
7. CONTACT MATERIAL: SILVER
8. OPERATING TEMP.: -25°C to 55°C
9. STORAGE TEMP.: -40°C to 70°C
10. ▲ DENOTES CRITICAL PARAMETER.
11. 2002/95/EC (ROHS) COMPLIANT



| | | | | |
|--|-----------|----|---------|-----|
| TITLE DPDT NON ILLUMINATED CONTACT BLOCK | | | | |
| SCALE | DATE | DR | DWG | REV |
| 2:1 | 1/16/2008 | BF | F080002 | B |

| | | | | |
|--|--------|-----------------------------|---------|-----|
| B | 17924 | RATINGS UPDATED, SHOW GUARD | 1/16/08 | BLR |
| A | 17618 | RELEASED FOR PRODUCTION | 9/4/07 | BF |
| REV | PCR NO | DESCRIPTION | DATE | BY |
| THE INFORMATION CONTAINED IN THIS DOCUMENT IS PROPRIETARY TO E-SWITCH AND IS NOT TO BE COPIED OR TRANSFERRED | | | | |