

THIS DRAWING IS UNPUBLISHED.

RELEASED FOR PUBLICATION

2013

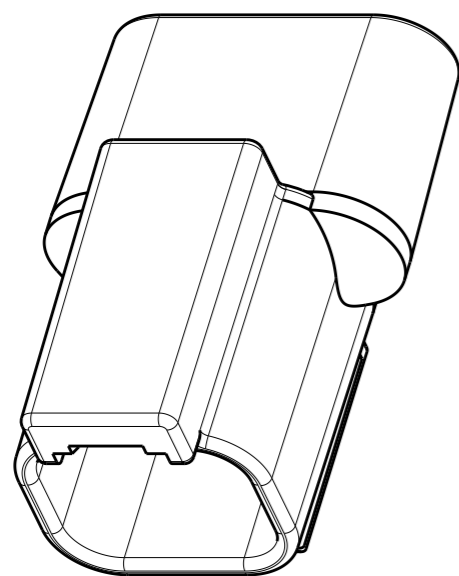
LOC -

DIST -

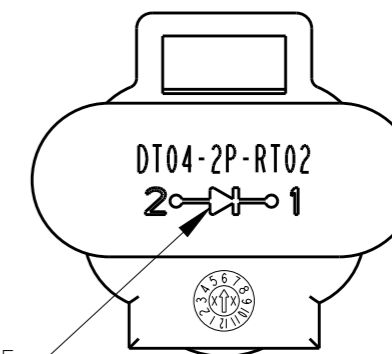
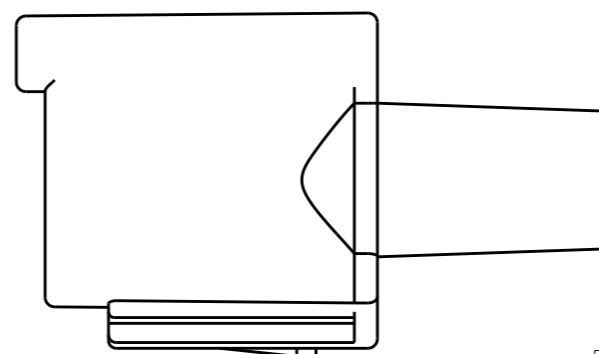
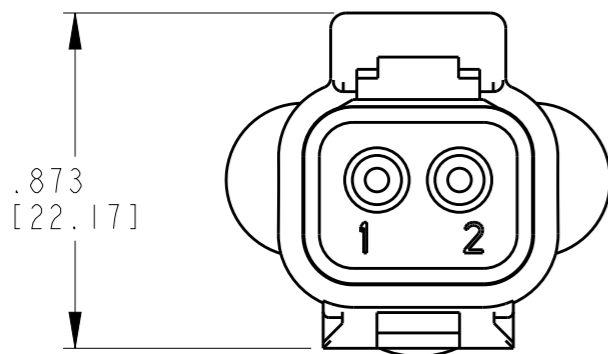
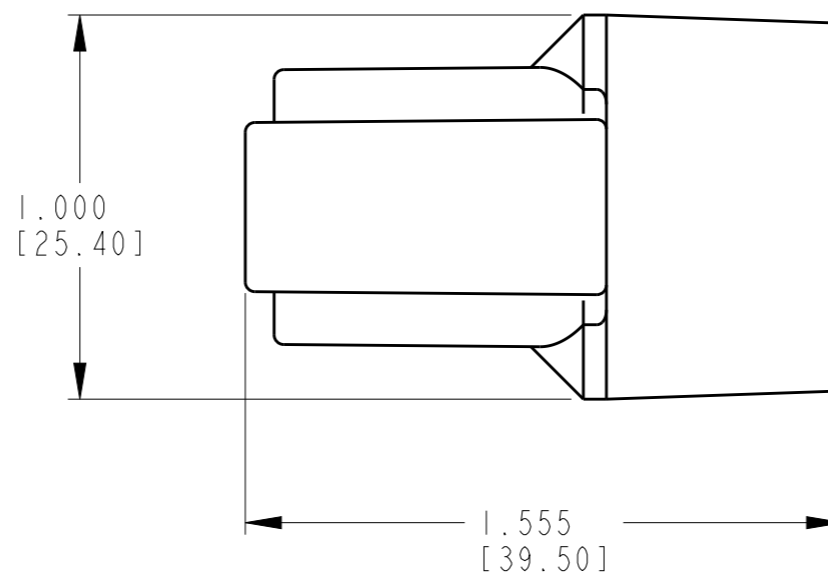
REVISIONS

© COPYRIGHT 2013 BY - TE Connectivity ALL RIGHTS RESERVED.

P	LTR	DESCRIPTION	DATE	DWN	APVD
B		REVISED PER E.O. P16218	30JUL1999		CLW
C		REVISED PER E.O. P19162	15MAR2006		RDR
D1		REVISED PER ECO-16-005960	18APR2016	KM	DM
E		REVISED PER ECR-16-017570	12DEC2016	KM	DM



3D VIEW



DIODE POLARITY REFERENCE

6. MOLDED-IN DIODE ELECTRICAL CHARACTERISTICS  
 PEAK REVERSE VOLTAGE = 400.0 V MAX.  
 PEAK FORWARD VOLTAGE = 1.0 V MAX.  
 AVERAGE FORWARD CURRENT = 3.0 A MAX.

5. MATERIAL: PA GF BLACK

4. TEMPERATURE RANGE : -55°C TO +125°C.

3. RECEPTACLE MATES WITH DT06-2S-\*\*\*\*.

2. ALL DIMENSIONS W/O TOLERANCE ARE +/- .025 [+/- 0.63]

1. ALL DIMENSIONS ARE INCHES (METRIC).

THIS DRAWING IS A CONTROLLED DOCUMENT.		DWN K. McKEE 17DEC2013			
DIMENSIONS: INCHES [mm]		CHK K. McKEE 25AUG2015			
TOLERANCES UNLESS OTHERWISE SPECIFIED:		APVD D. MEYER 25AUG2015	NAME TERMINATING RECEPTACLE, 2-PIN DT SERIES		
		PRODUCT SPEC -	RESTRICTED TO -		
MATERIAL -		APPLICATION SPEC -	SIZE A3	CAGE CODE 4AFU8	DRAWING NO DT04-2P-RT02
FINISH -		WEIGHT 10.37 g	SCALE 2:1	SHEET 1	OF 1
		Customer Drawing	REV E		