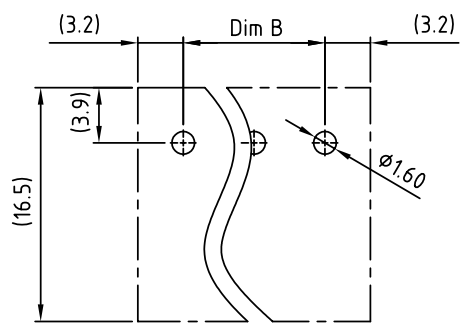
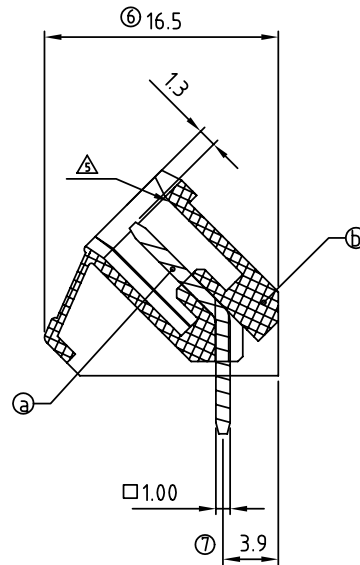
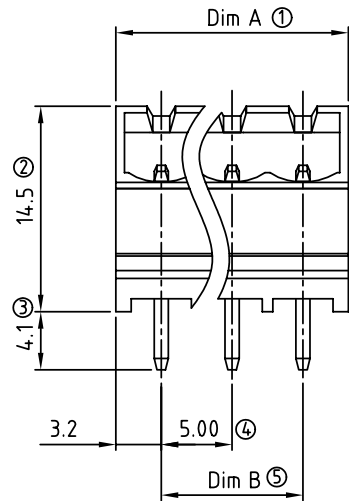
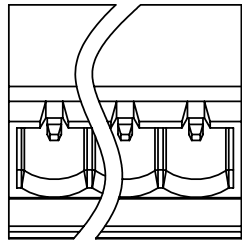


SIGN	DATE	DESCRIPTION	APPROVER
△	8/07'06	Added VDE and TUV standard	梁仁松
△	1/27'07	Soldering temperature changed from 245° to 250°	Tony
△	2009.10.27	The material is changed from Brass to Copper	Jacke
△	2009.10.27	The operating temperature is changed	Jacke
△	2010.10.11	The design is changed	Jacke

*THIS IS CAD DRAWING, DO NOT REVISE MANUALLY!!!*



RECOMMENDED PCB LAYOUT

N = Number of poles  
 Dim A = (N-1) x 5.0 + 6.4  
 Dim B = (N-1) x 5.0

	Dim A	Dim B
2-6p	±0.15	±0.15
7-12p	±0.20	±0.20
13-18p	±0.30	±0.30
19-24p	±0.40	±0.40

Material:

- Item ① Male contact pin: Copper Tin plated
- Item ② Terminal (housing): Thermoplastic (UL94V-0)

- △ Electrical: cULus /VDE/TUV
- Voltage rating: 300V/300V/300V
- Current rating: 15A/17A/20A
- Withstanding Voltage: 1.6 KV/2.5KV/2.5KV
- Operating temperature: -40°C to +115°C
- Soldering temperature: 250°C ± 10°C / 5 Sec
- Safety Approval:

VK xx 7 1 x 0 xxxx G

No. OF POLES: 02: 2 POLES, 24: 24 POLES  
 COLOR: 0 Black (RAL9005), 2 Red (RAL3001/D), 3 Orange (RAL2011/P), 4 Yellow (RAL1018/A), 5 Green (RAL6018/T), 6 Blue (RAL5015/A), 8 Grey (RAL7035/D)  
 G: Pb < 4000ppm  
 0000: "@ Logo (Standard)  
 000A: "ANYTEK" Mark  
 Any special item by customer request. please contact sales department.

**ANYTEK**

**CUSTOMER COPY**

ALL RIGHTS RESERVED. REPRODUCTION OR ISSUE TO THIRD PARTIES IN ANY FORM WHATSOEVER IS NOT PERMITTED WITHOUT WRITTEN AUTHORITY FROM THE PROPRIETOR. PROPERTY OF ANYTEK TECHNOLOGY CO., LTD

TITLE		VK-5.0 Series Close type			DWG NO.		8VK0201	
PART NO.		VKxx71x0xxxxG			CUST NO.			
APPROVED	CHECKED	DESIGNED	DRAWN	Tolerance				
		Jacke	Jacke	X. ±0.50				
		2010.10.11	2009.10.27	X.X ±0.30				
				UNIT: mm		X.XX ±0.10		
				SCALE: NONE		X° ±1°		
				SHEET: 01/01		REV.: G		