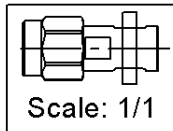
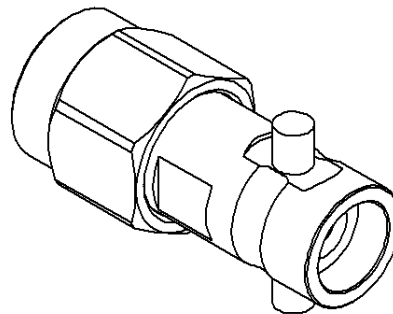
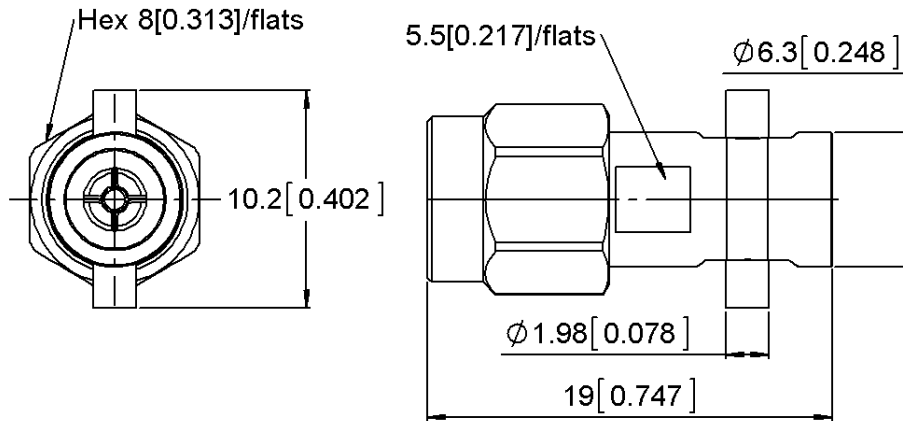
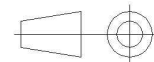


PAGE 1/2	ISSUE 1341 C	SERIES SMA	PART NUMBER 5914-9503-000
----------	--------------	------------	---------------------------



All dimensions are in mm.



COMPONENTS	MATERIALS	PLATING (μm)
Body	STAINLESS STEEL	PASSIVATED
Center contact	BERYLLIUM COPPER	NPGR
Outer contact		
Insulator	PTFE	
Gasket	SILICONE RUBBER	
Others parts		
-	-	-
-	-	-

PAGE 2/2	ISSUE 1341 C	SERIES SMA	PART NUMBER 5914-9503-000
----------	--------------	------------	---------------------------

PACKAGING

Standard	Unit	Other
1	Contact us	Contact us

ELECTRICAL CHARACTERISTICS

Impedance		50	Ω
Frequency		0-26	GHz
VSWR	1.1 +	0.0000	x F(GHz) Maxi
Insertion loss		0.06	√F(GHz) dB Maxi
RF leakage	- (60	- F(GHz) dB Maxi
Voltage rating		500	Veff Maxi
Dielectric withstanding voltage		1000	Veff mini
Insulation resistance		5000	MΩ mini

ENVIRONMENTAL

Operating	-65/+165	°C
Hermetic seal	N/A	Atm.cm3/s
Panel leakage	N/A	

MECHANICAL CHARACTERISTICS

Center contact retention			
Axial force – Mating End		27	N mini
Axial force – Opposite end		27	N mini
Torque		2.8	N.cm mini
Recommended torque			
Mating	SMA	110	N.cm
	SMA	0	N.cm
		0	N.cm
Panel nut			N.cm
Mating life		5000	Cycles mini
Weight		4.2470	g

SPECIFICATION

OTHER CHARACTERISTICS