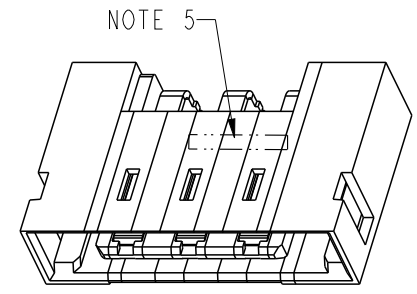
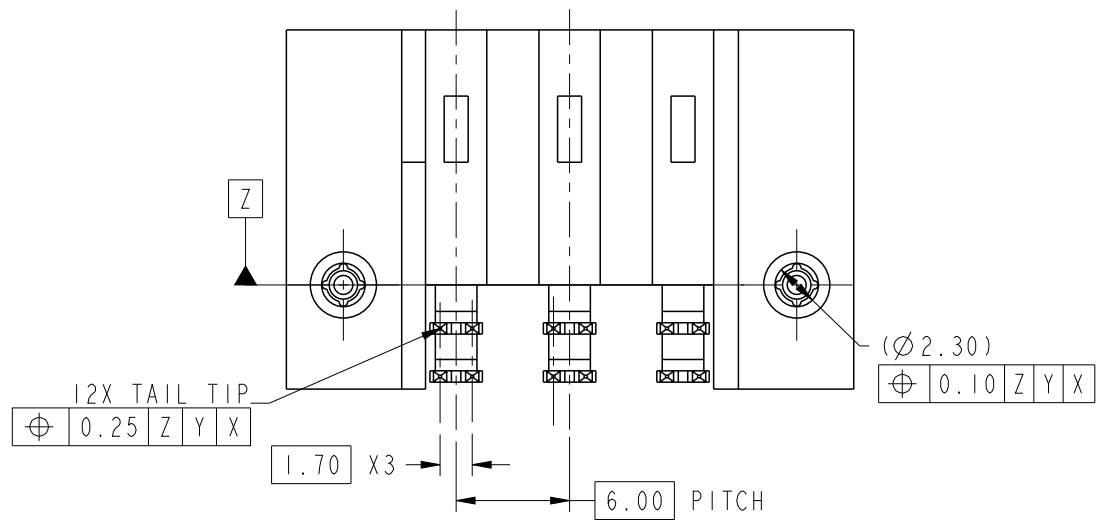
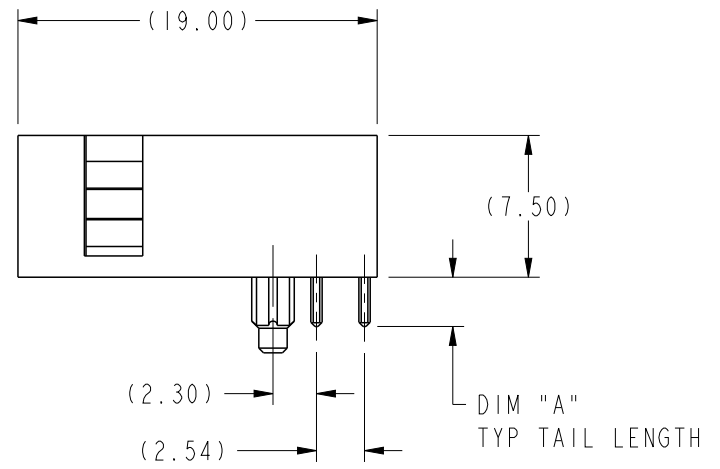
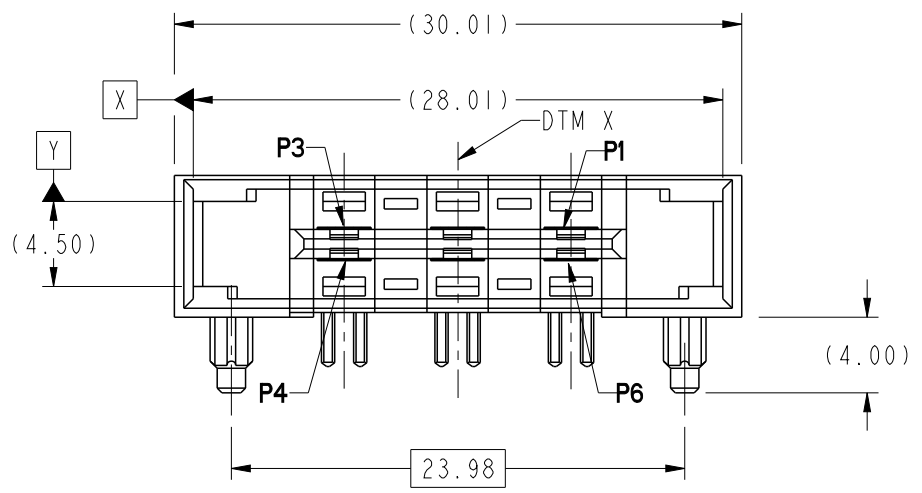




Copyright FCI.

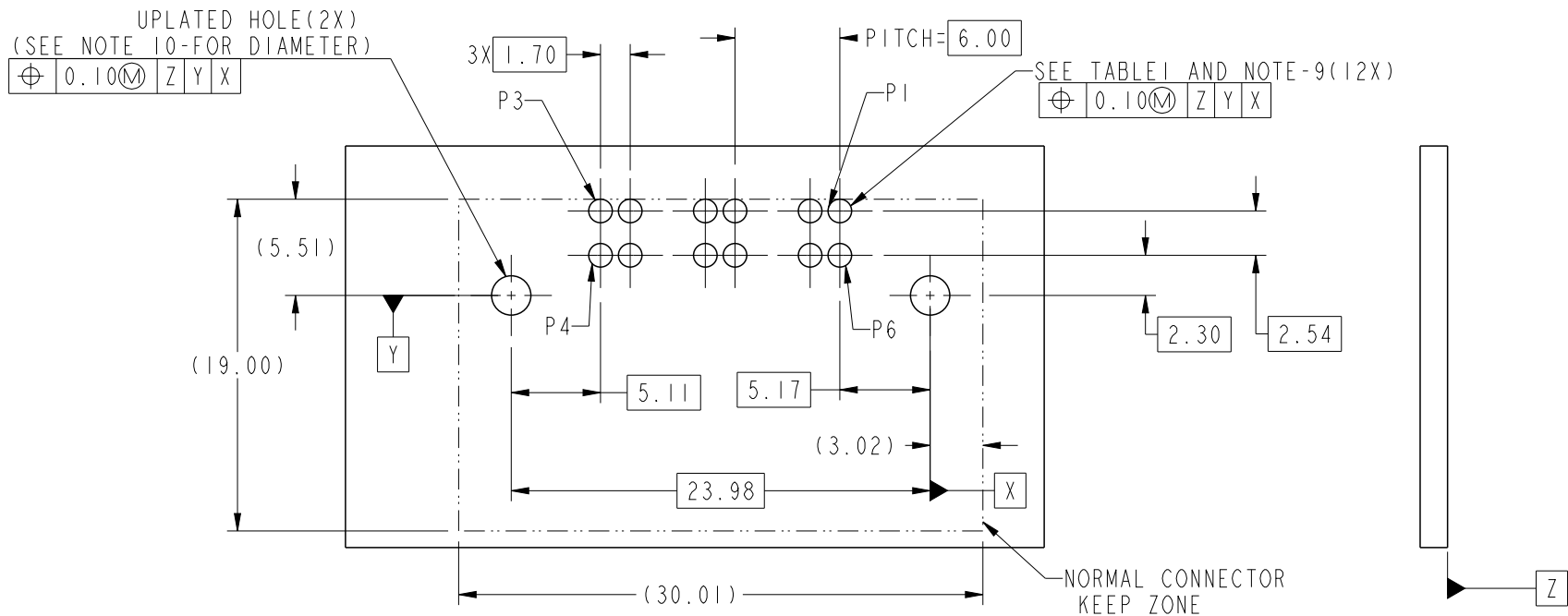


SCALE 3:2

spec ref		dr Daniel Xiao		2013/03/05		projection		size A4		scale 5:2	
tolerance std		eng Liu Jensen		2014/04/22						ecn no ELX-DG-17541-1	
TOLERANCES UNLESS OTHERWISE SPECIFIED linear 0.X ±0.25 0.XX ±0.10 0.XXX ±0.05 angular 0° ±2°		chr Jon Qin		2014/04/25						rel level Released	
		surface ✓		appr Collins Lu		2014/04/25		product family		rev B	
1		www.fci.com		title 6LP WITH LATCH ASSY HPCE CTB R/A HEADER		cat. no.		Product - Customer Drw		sheet 1 of 3	

ProjE File - REV C - 2009-06-09

CONTACT TYPE	TOP LAYER DESCRIPTION	TABLE 1 (HPCE / SOLDER TAILS) PLATED THROUGH-HOLE REQUIREMENTS				
		DRILLED HOLE DIAMETER	COPPER THICKNESS	TIN-LEAD THICKNESS	TIN THICKNESS	FINISHED HOLE DIAMETER
POWER	TIN-LEAD	1.40-1.50 (1.45 DRILL)	0.025 - 0.050	0.005 - 0.015	--	1.27 - 1.43
	IMMERSION TIN	1.40-1.50 (1.45 DRILL)	0.025 - 0.050	--	0.9 - 1.5um	1.27 - 1.43
	COPPER (SEE NOTE 8)	1.40-1.50 (1.45 DRILL)	0.025 - 0.050	--	--	1.27 - 1.43




MOUNTING SIDE SCALE 5:2

spec ref		dr Daniel Xiao		2013/03/05		projection		MM		size A4		scale 5:2	
tolerance std		eng Liu Jenson		2014/04/22						ecn no		ELX-DG-17541-1	
TOLERANCES UNLESS OTHERWISE SPECIFIED		chr Jon Qin		2014/04/25						rel level		Released	
surface		appr Collins Lu		2014/04/25		product family		-		dwg no		10123246	
linear		0.X		±0.25				title 6LP WITH LATCH ASSY HPCE CTB R/A HEADER		rev B		sheet 2 of 3	
angular		0°		±2°									
		0.XX		±0.10									
		0.XXX		±0.05		www.fci.com		cat. no.		Product - Customer Drw		PDS: Rev :B	

HPCE CTB R/A HEADER (TABLE 1)

PART NUMBER	TAIL TYPE	DIM "A" TYPICAL TAIL LENGTH	RECOMMENDED BOARD THICKNESS
10123246-*1000LF	SOLDER TAIL	2.60±0.25	1.57
10123246-*2000LF		3.25±0.25	2.36

NOTES:

- CONNECTOR MATERIALS:
CONTACT: HIGH PERFORMANCE COPPER ALLOY.
HOUSING: HIGH TEMPERATURE THERMAL PLASTIC, BLACK UL 94V-0 COMPLIANT
- CONTACT FINISH REF. GS-12-1031 SECTION 5.2
- PRODUCT SPECIFICATION: GS-12-1031
- APPLICATION SPECIFICATION: GS-20-0369
- PRODUCT MARKING (FCI PART NUMBER & DATE CODE) ON HOUSING IN AREA SHOWN.
- PACKAGING MEETS FCI SPECIFICATION GS-14-2272 
- HOUSING COMPONENT WILL WITHSTAND EXPOSURE TO 260°C PEAK TEMPERATURE FOR 60 SECONDS IN A CONVECTION, INFRA-RED, OR VAPOR PHASE REFLOW OVEN.
- COPPER PLATING THICKNESS IN CENTER OF VIA-HOLE CAN BE NO MORE THAN 0.003 LESS THAN OTHER AREAS.
- ALL HOLE SIZES ARE FINISHED HOLE SIZES.
- MOUNTING HOLES ARE UNPLATED
∅ 2.25±0.05 FOR SOLDER TAILS

PRODUCT PART NUMBER

10123246-□□□□□ LF

BASE PART NUMBER

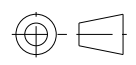
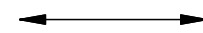
CONTACT AREA PLATING :
1: 100u"(2.5um)Min. Ag
2: 30u"(0.76um)Min. GXT

FIRST MATE LAST BREAK PIN :
000: ALL PIN ARE LONG PINS

TAIL A LENGTH :
1: 2.60±0.25MM(PCB T=1.57MM)
2: 3.25±0.25MM(PCB T=2.36MM)



Copyright FCI.

spec ref		dr Daniel Xiao		2013/03/05		projection 	MM 	size A4	scale 5:2		
tolerance std	TOLERANCES UNLESS OTHERWISE SPECIFIED			eng Liu Jenson				2014/04/22		ecn no ELX-DG-17541-1	
				chr Jon Qin				2014/04/25		rel level Released	
surface <input checked="" type="checkbox"/>		linear		0.X ±0.25		product family -		product no 10123246			
				0.XX ±0.10		www.fci.com		rev B			
				0.XXX ±0.05		cat. no.		Product - Customer Drw			
		angular		0° ±2°		sheet 3 of 3					