

InfoVue™ OLED Display



ITW ECS brand Lumex® announces the release of the InfoVue™ OLED Display which features an ultra thin display with low power consumption. The OLED Display has a fast response time for quick display refresh and a wide viewing angle, ideal for portable electronics displays.

Features:	Benefits:
Many color options and sizes	Able to be designed into applications with varying sizes, and fully customizable
Faster response time (compared with LCDs)	Quicker display refresh
Wide viewing angle	High contrast and color options allow more visibility on portable applications

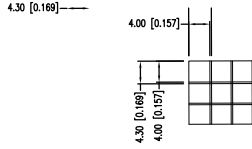
InfoVue™ OLED Display

Spec & Technical Information

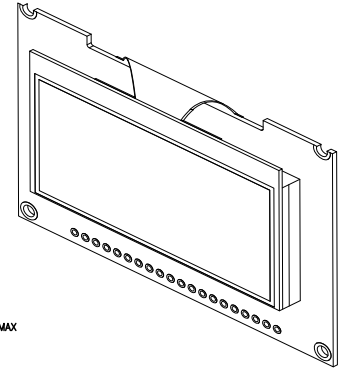
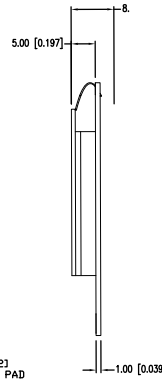
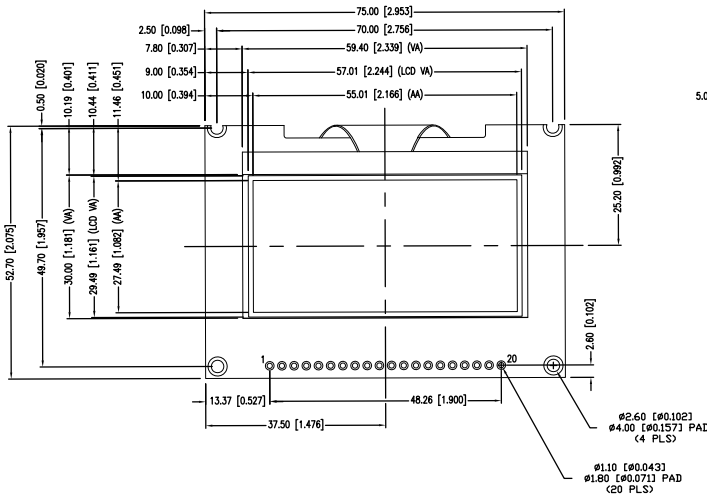
LOD-H12864DP-G



P/N	Size	Background Color	Pixel Color	MIN View Angle	Operating Temp
LOD-H12864DP-G	128x64	Black	Green	65°	-40°C to +70°C



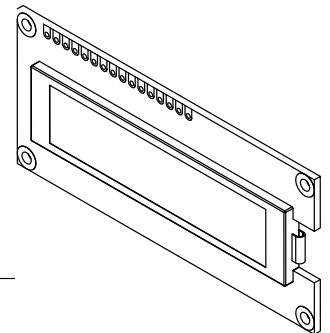
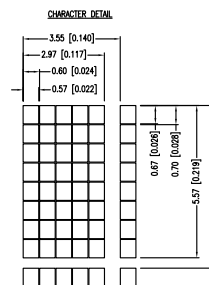
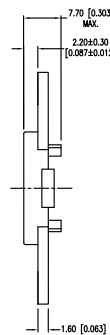
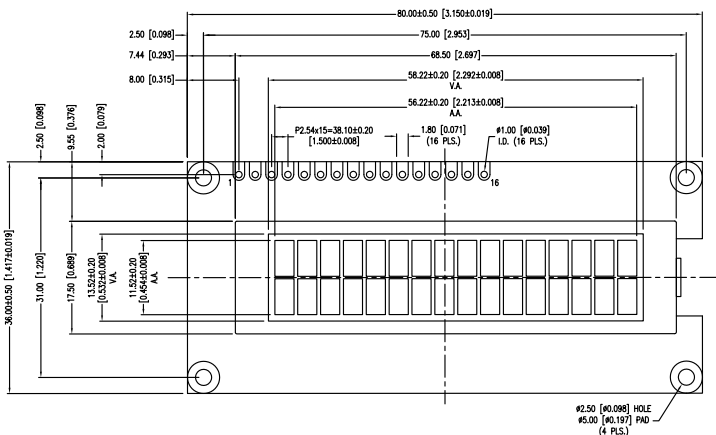
CHARACTER DETAIL
SCALE: 10:1



LOD-H01602DP/A-Y



P/N	Size	Background Color	Pixel Color	MIN View Angle	Operating Temp
LOD-H01602DP/A-Y	16x2	Black	Yellow	65°	-40°C to 80°C



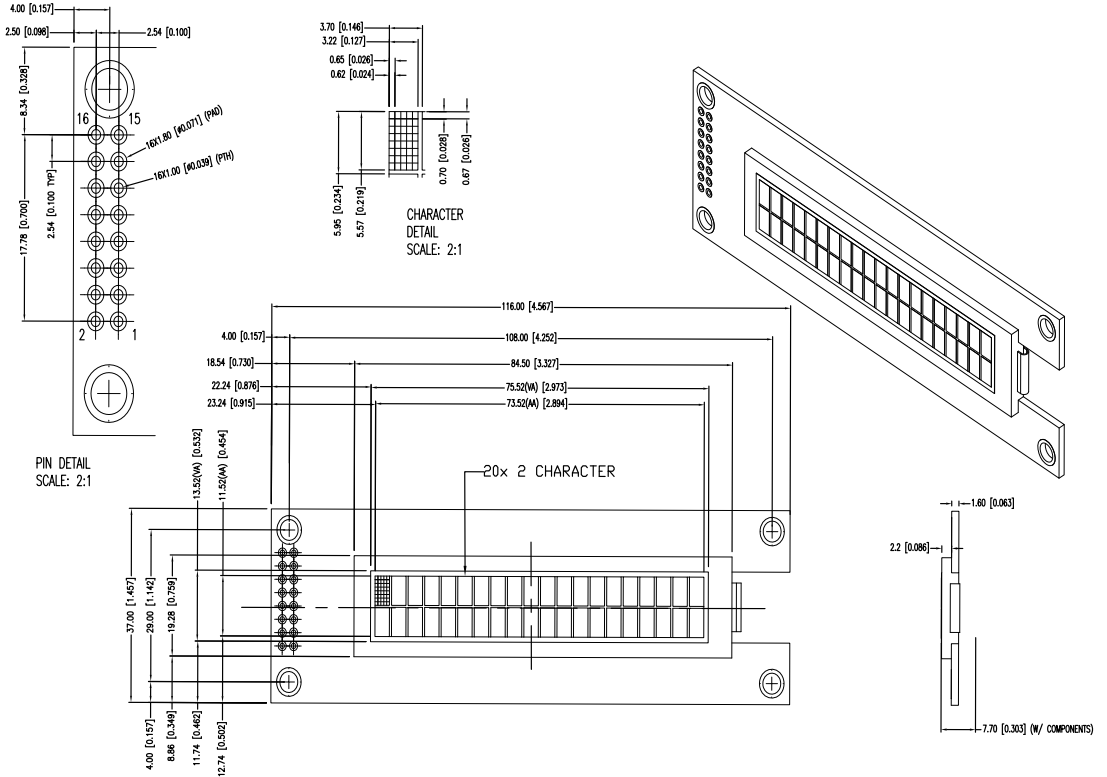
InfoVue™ OLED Display

Spec & Technical Information Continued

LOD-H2002DP-W



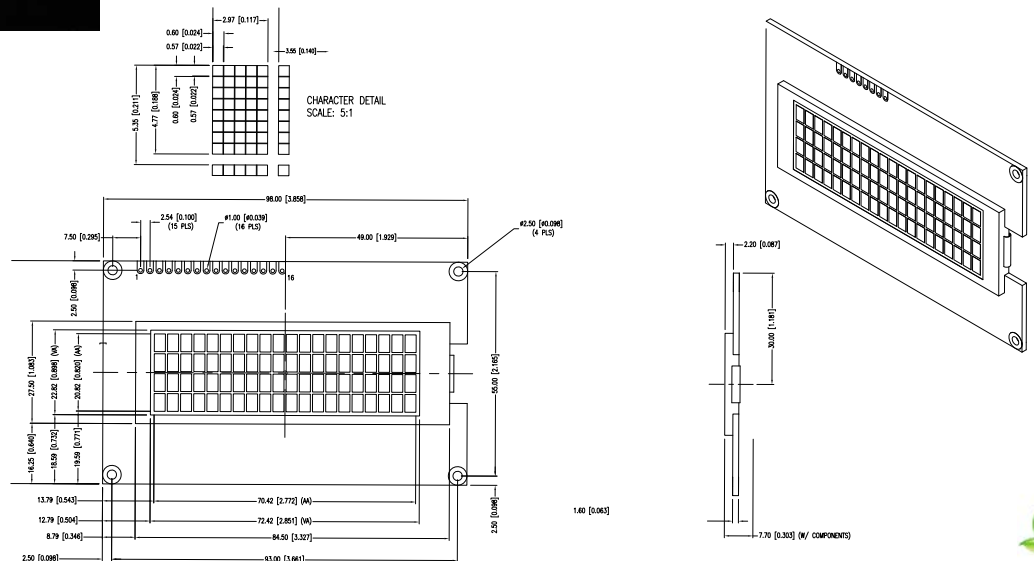
P/N	Size	Background Color	Pixel Color	MIN View Angle	Operating Temp
LOD-H2002DP-W	20x2	Black	White	-	-40°C to +80°C



LOD-H2004DP-G



P/N	Size	Background Color	Pixel Color	MIN View Angle	Operating Temp
LOD-H2004DP-G	20x4	Black	Green	-	-40°C to +80°C



InfoVue™ OLED Display

The InfoVue™ OLED Display is an ultra thin, high resolution display for a variety of portable display applications.

Markets:	Applications:
Consumer Products	Portable electronic, toy displays
Industrial Controls	Robotics display control panel
White goods	Household appliances

