

THIS DRAWING IS UNPUBLISHED.

RELEASED FOR PUBLICATION

2011

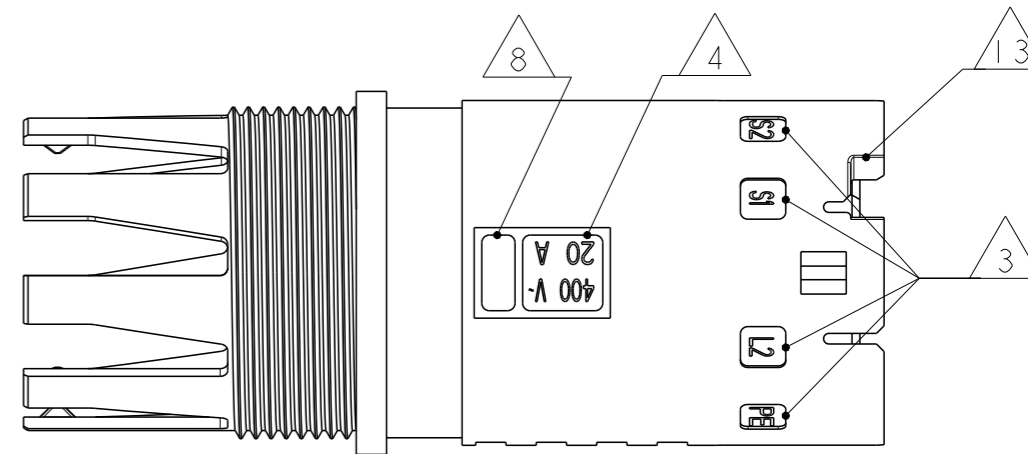
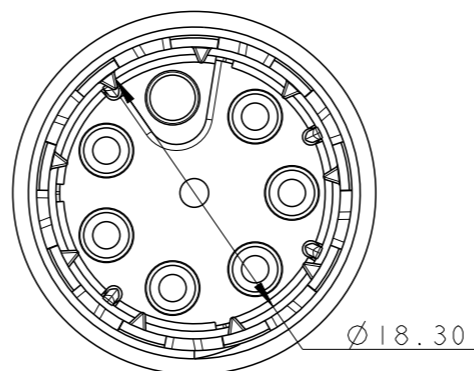
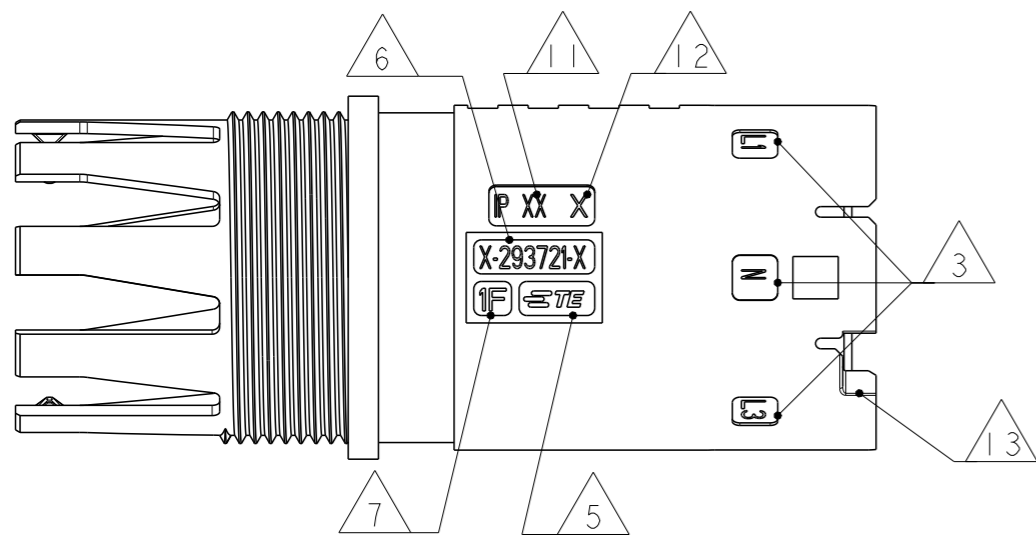
© COPYRIGHT 2011 BY -

ALL RIGHTS RESERVED.

LOC 1  
DIST -

REVISIONS

| P | LTR | DESCRIPTION                   | DATE      | DWN | APVD |
|---|-----|-------------------------------|-----------|-----|------|
| 2 |     | UPDATED                       | 02MAY2011 | AB  | GT   |
| 3 |     | UPDATED                       | 21MAY2011 | AB  | GT   |
| 4 |     | UPDATED                       | 22JUL2013 | MZ  | JC   |
| A |     | PARTS RELEASED FOR PRODUCTION | 12NOV2013 | MZ  | JC   |

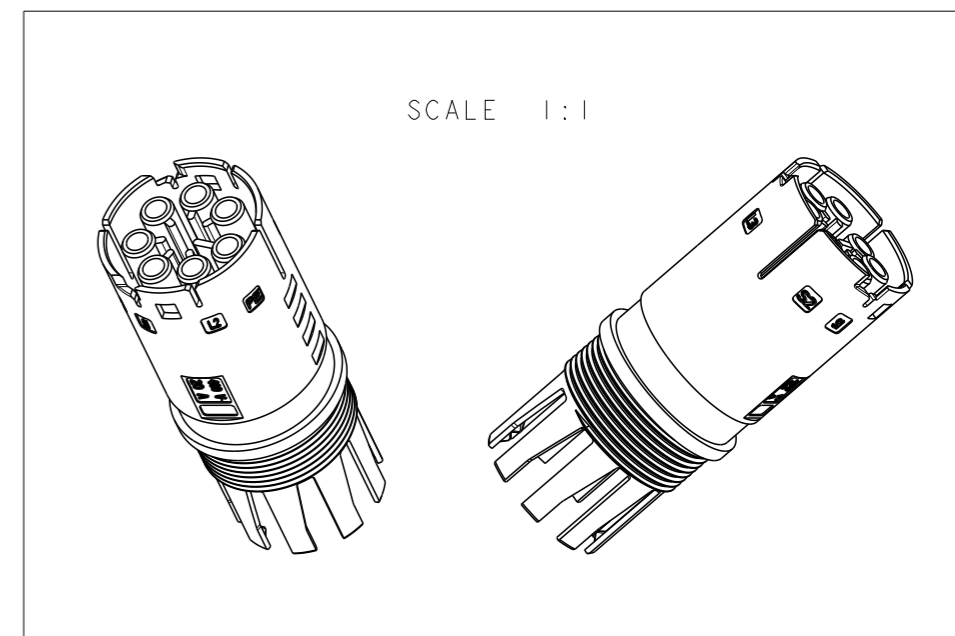
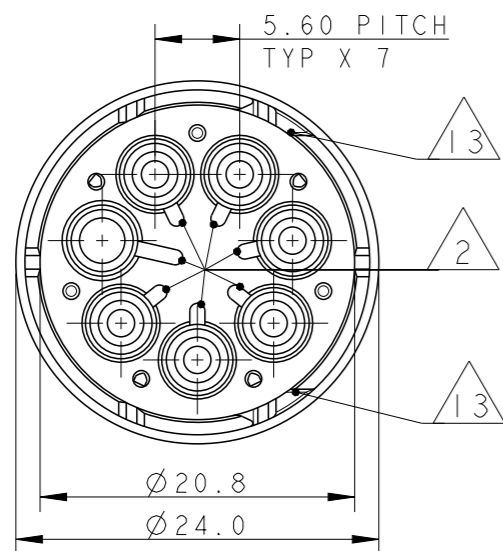
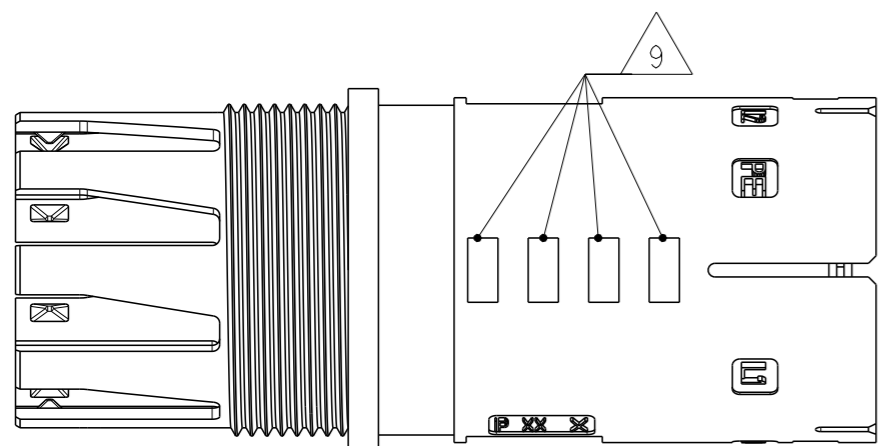



NOTES:

- 1 MATERIAL: PA GF (NATURAL AND BLACK COLOUR)
- 2 ALL POLARIZATION KEYS SHOWN FOR REF ONLY
- 3 WAYS I.D.
- 4 VOLTAGE AND CURRENT RATINGS
- 5 TE LOGO
- 6 TE PART NUMBER
- 7 DATA CODE
- 8 AREA FOR AGENCIES APPROVAL LOGO
- 9 VISUAL INDOCATOR FOR PE CONDUCTOR

10) SEE C-DRAWING 293682 (LOCKING CAP) TO GET IP 40

- 11 IP CODE
- 12 CAVITY I.D.
- 13 SLOTS TO ALLOW DELATCHING TOOL OPERATION. FOR DEALTCHING TOOL AND OPERATION REFER TO APPLICATION SPECIFICATION



|   |  |                                 |   |              |
|---|--|---------------------------------|---|--------------|
| THIS DRAWING IS A CONTROLLED DOCUMENT.                                      |  | DWN<br>A. BERNARDI<br>31MAR2011 |  TE Connectivity |              |
| DIMENSIONS:<br>mm   |  | CHK<br>M. ZUCCA<br>31MAR2011    |   |              |
| TOLERANCES UNLESS OTHERWISE SPECIFIED:                                      |  | APVD<br>G. TURCO<br>31MAR2011   | NAME<br>SOCKET HOUSING 7 POLES FREE HANGING<br>M-LINE NECTOR<br>UNSEALED VERSION                      |              |
| 0 PLC ±-<br>1 PLC ±0.3<br>2 PLC ±0.20<br>3 PLC ±-<br>4 PLC ±-<br>ANGLES ±3° |  | PRODUCT SPEC<br>-               | SIZE<br>A300779   |              |
| MATERIAL -  |  | APPLICATION SPEC<br>-           | CAGE CODE<br>C-293721   | DRAWING NO   |
| FINISH -  |  | WEIGHT -                        | RESTRICTED TO -   |              |
|   |  | Customer Drawing                | SCALE 2:1   | SHEET 1 OF 2 |
|   |  |                                 | REV A   |              |

THIS DRAWING IS UNPUBLISHED.

RELEASED FOR PUBLICATION

2011

© COPYRIGHT 2011 BY -

ALL RIGHTS RESERVED.

| LOC | DIST | REVISIONS |     |             |      |     |      |
|-----|------|-----------|-----|-------------|------|-----|------|
|     |      | P         | LTR | DESCRIPTION | DATE | DWN | APVD |
| 1   | -    | -         | -   | SEE SHEET 1 | -    | -   | -    |
|     |      |           |     |             |      |     |      |
|     |      |           |     |             |      |     |      |

### POLARIZATION TYPES

| POLARIZATION TYPE "A"         | POLARIZATION TYPE "B"         | POLARIZATION TYPE "C"         |
|-------------------------------|-------------------------------|-------------------------------|
|                               |                               |                               |
| PNs 0-293721-1 AND 1-293721-1 | PNs 0-293721-2 AND 1-293721-2 | PNs 0-293721-3 AND 1-293721-3 |
| POLARIZATION TYPE "D"         | POLARIZATION TYPE "E"         |                               |
|                               |                               |                               |
| PNs 0-293721-4 AND 1-293721-4 | PNs 0-293721-5 AND 1-293721-5 |                               |

### TABLE 1

| NOTE | POL. KEYING | COLOUR  | DESCRIPTION                                | REV. | P/N        |
|------|-------------|---------|--|------|------------|
|      | E           | BLACK   | SKT HSG 7 POLE FREE HANGING NECTOR* M-LINE | A    | 1-293721-5 |
|      | D           | BLACK   | SKT HSG 7 POLE FREE HANGING NECTOR* M-LINE | A    | 1-293721-4 |
|      | C           | BLACK   | SKT HSG 7 POLE FREE HANGING NECTOR* M-LINE | A    | 1-293721-3 |
|      | B           | BLACK   | SKT HSG 7 POLE FREE HANGING NECTOR* M-LINE | A    | 1-293721-2 |
|      | A           | BLACK   | SKT HSG 7 POLE FREE HANGING NECTOR* M-LINE | A    | 1-293721-1 |
|      | E           | NATURAL | SKT HSG 7 POLE FREE HANGING NECTOR* M-LINE | A    | 0-293721-5 |
|      | D           | NATURAL | SKT HSG 7 POLE FREE HANGING NECTOR* M-LINE | A    | 0-293721-4 |
|      | C           | NATURAL | SKT HSG 7 POLE FREE HANGING NECTOR* M-LINE | A    | 0-293721-3 |
|      | B           | NATURAL | SKT HSG 7 POLE FREE HANGING NECTOR* M-LINE | A    | 0-293721-2 |
|      | A           | NATURAL | SKT HSG 7 POLE FREE HANGING NECTOR* M-LINE | A    | 0-293721-1 |

THIS DRAWING IS A CONTROLLED DOCUMENT.

|             |  |
|-------------|--|
| DIMENSIONS: | TOLERANCES UNLESS OTHERWISE SPECIFIED: |
| mm          |  |
|             | 0 PLC ±-                               |
|             | 1 PLC ±0.3                             |
|             | 2 PLC ±0.20                            |
|             | 3 PLC ±-                               |
|             | 4 PLC ±-                               |
|             | ANGLES ±3°                             |
| MATERIAL -  | FINISH -                               |

|                  |           |
|------------------|-----------|
| DWN              | 31MAR2011 |
| A. BERNARDI      |           |
| CHK              | 31MAR2011 |
| M. ZUCCA         |           |
| APVD             | 31MAR2011 |
| G. TURCO         |           |
| PRODUCT SPEC     | -         |
| APPLICATION SPEC | -         |
| WEIGHT           | -         |



NAME  
SOCKET HOUSING 7 POLES FREE HANGING  
M-LINE NECTOR  
UNSEALED VERSION

|         |           |            |               |
|---------|-----------|------------|---------------|
| SIZE    | CAGE CODE | DRAWING NO | RESTRICTED TO |
| A300779 | C-293721  |            | -             |

Customer Drawing SCALE 2:1 SHEET 2 OF 2 REV A