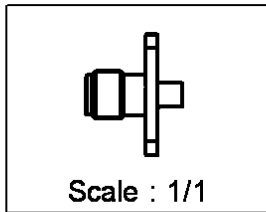
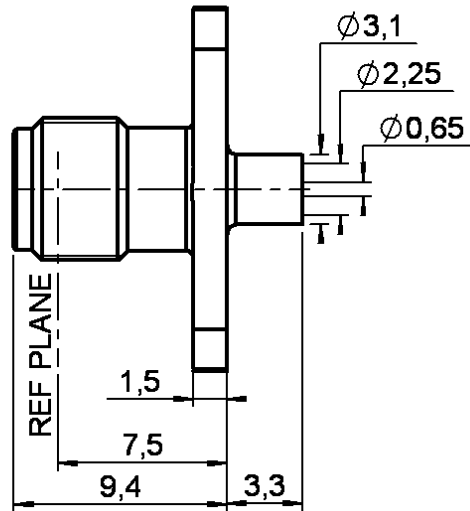
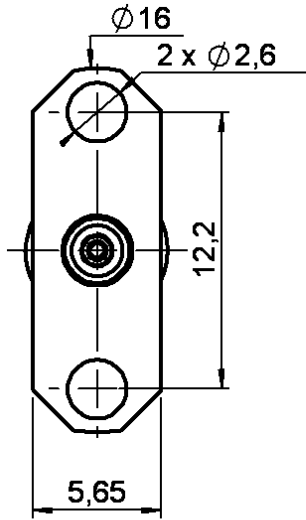


STRAIGHT 2 HOLES FLANGE JACK SOLDER TYPE

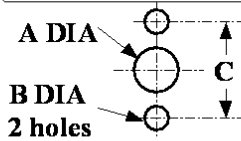
R125.252.000

CABLE .085

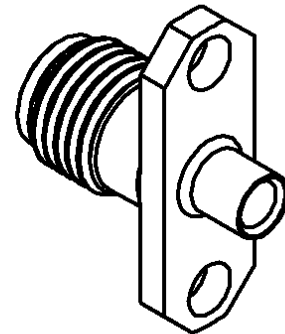
Series : SMA



PANEL CUT OUT



| mm | | |
|----------|-------|-------|
| | Maxi | mini |
| A | 6.6 | 6.5 |
| B | 2.7 | 2.6 |
| C | 12.25 | 12.15 |



All dimensions are in mm.

| COMPONENTS | MATERIALS | PLATINGS (µm) |
|----------------|------------------|------------------------|
| BODY | STAINLESS STEEL | GOLD 0.5 OVER NICKEL 2 |
| CENTER CONTACT | BERYLLIUM COPPER | GOLD 1.3 OVER NICKEL 2 |
| OUTER CONTACT | - | - |
| INSULATOR | PTFE | - |
| GASKET | - | - |
| OTHERS PARTS | - | - |
| - | - | - |
| - | - | - |
| - | - | - |

Issue : 9840 J

In the effort to improve our products, we reserve the right to make changes judged to be necessary.



STRAIGHT 2 HOLES FLANGE JACK SOLDER TYPE

R125.252.000

CABLE .085

Series : SMA

PACKAGING

| | | |
|------------|-------------------|-------------------|
| Standard | Unit | Other |
| 100 | 'W' option | Contact us |

SPECIFICATION

CABLE ASSEMBLY

| Stripping | a | b | c | d | e | f |
|-----------|------|------|------|------|------|------|
| mm | 3.17 | 0.00 | 0.00 | 0.00 | 0.00 | 0.00 |

ELECTRICAL CHARACTERISTICS

Assembly instruction : **Solder 01**

Recommended cable(s)
RG 405
KS 1

Cable retention

- pull off **130 N mini**
- torque **NA N.cm**

Impedance **50 Ω**
Frequency **0-18 GHz**
VSWR **1.07 + 0.008** x F(GHz) Maxi
Insertion loss **0.03** √F(GHz) dB Maxi
RF leakage **- (90 - F(GHz)) dB Maxi**
Voltage rating **335 Veff Maxi**
Dielectric withstanding voltage **750 Veff mini**
Insulation resistance **5000 MΩ mini**

MECHANICAL CHARACTERISTICS

TOOLING

| Part Number | Description | Hexagon |
|--------------|---------------------------------------|---------------------|
| . | . | . |
| R282.063.000 | POINTER GAUGE | |
| R282.051.000 | STRIPPING TOOL | denudage(denudeur) |
| R282.740.000 | SOLDERING MOUNTING | |
| R282.914.010 | DIELETRIC RECESS GAUGE | |
| R282.744.220 | SOLDERING POSITIONER (CENTER CONTACT) | |
| R282.730.043 | INSULATOR MOUNTING TOOL | |
| R282.915.010 | DIELECTRIC RECESS TOOL | |
| R282.862.060 | CONTROL GAUGE | |
| R282.744.010 | SOLDERING POSITIONER (BODY) | |
| R282.120.010 | SMA TOOLBOX | |

Center contact retention
Axial force – Mating end **NA N mini**
Axial force – Opposite end **NA N mini**
Torque **NA N.cm mini**

Recommended torque
Mating **NA N.cm**
Panel nut **NA N.cm**
Clamp nut **NA N.cm**
A/F clamp nut **0.000 mm**

Mating life **500 Cycles mini**
Weight **0.000 g**

ENVIRONMENTAL

OTHERS CHARACTERISTICS

Operating temperature **-65/+105 °C**
Hermetic seal **NA Atm.cm3/s**
Panel leakage **NA**

Issue : 9840 J

In the effort to improve our products, we reserve the right to make changes judged to be necessary.

