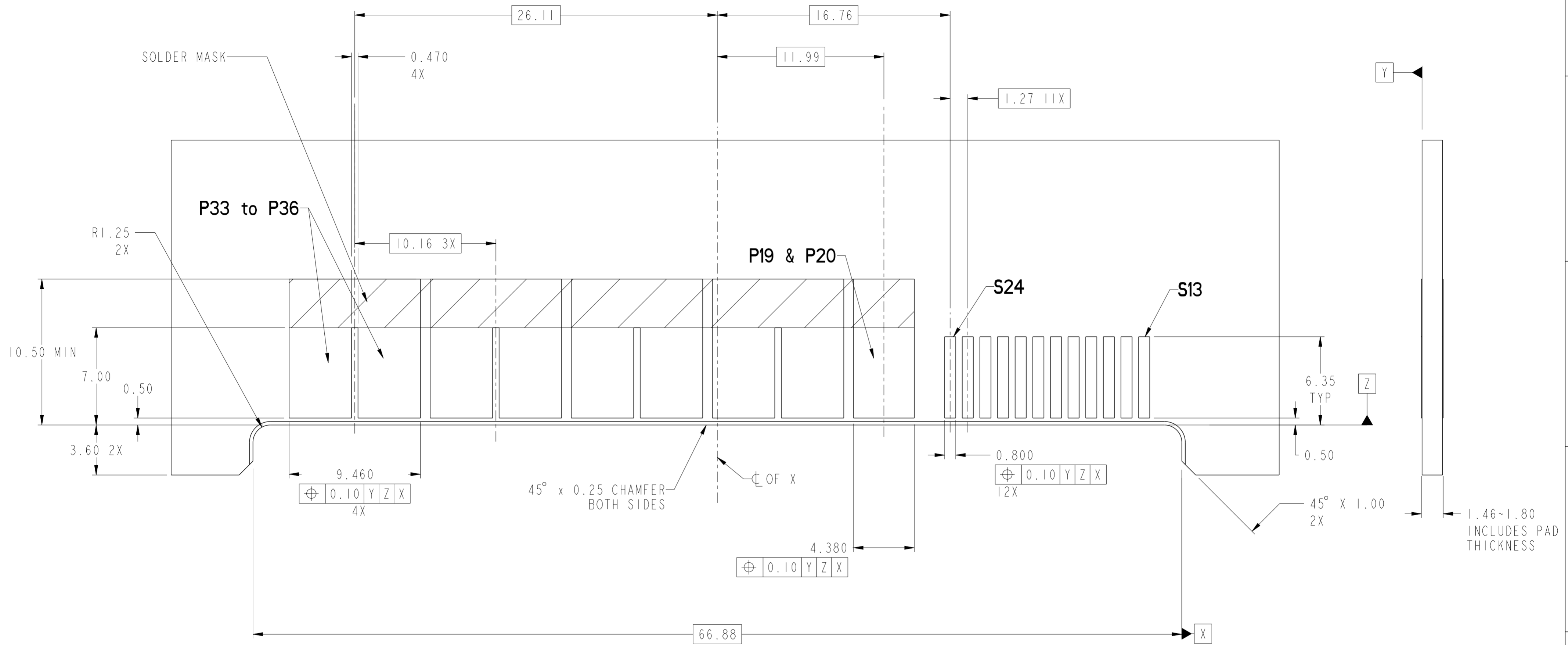


REV	ECN NO.	DR	DATE
A	---	Helen	2011-07-08
B	ELX-DG-008380-1	Helen	2011-12-01

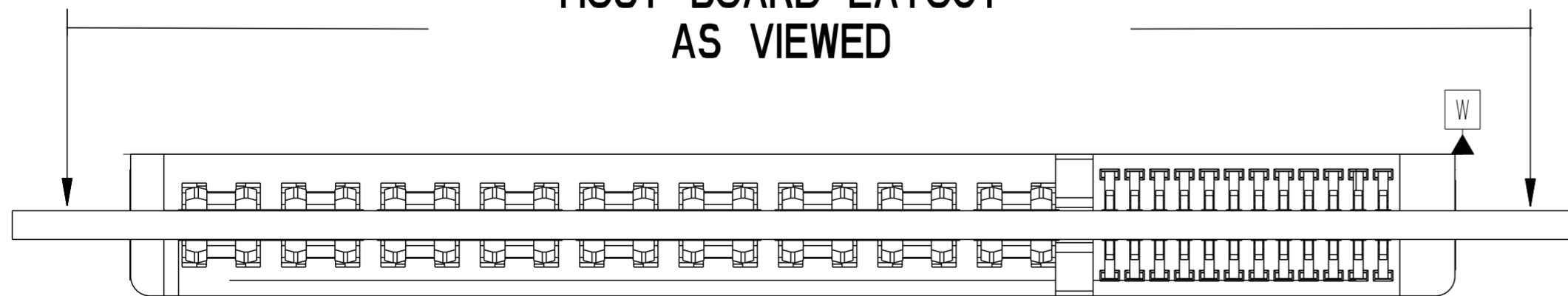
spec ref	-	dr	Wei-Long Zhang	2011/07/08	projection	MM	size	A2	scale	4:1
tolerance std	ASME Y14.5	eng	Wei-Long Zhang	2011/12/01		CARD EDGE	ecn no	ELX-DG-008380-1	rel level	Released
surface	✓	chr	Eleven Hu	2011/12/09			product family	HPCE-STRADDLE MT (36P-24S)		
ASME Y14.5	linear	0.X	±0.30	0.XX	±0.10	0.XXX	±0.05	angular	0°	±3°
TOLERANCES UNLESS OTHERWISE SPECIFIED		apppr	Pei-Ming Zheng	2011/12/09	www.fci.com		cat. no.	-	Product - Customer Drw	sheet 1 of 5

Copyright FCI. FCI

NEW RECOMENDED HOST BOARD LAYOUT FOR IMPROVED SOLDER REFLOW PROCESS



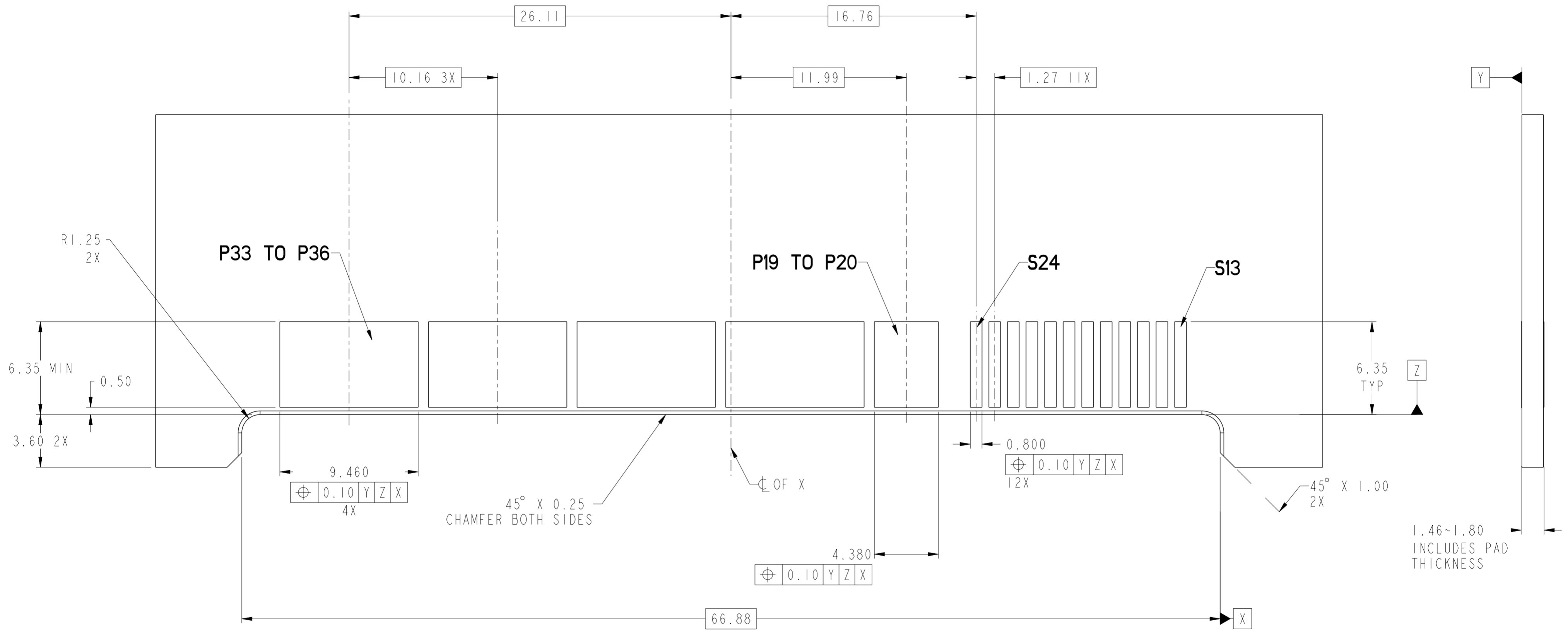
HOST BOARD LAYOUT AS VIEWED



SCALE 7:2

spec ref	-	dr	Wei-Long Zhang	2011/07/08	projection	MM	size	A2	scale	4:1
tolerance std	ASME Y14.5	eng	Wei-Long Zhang	2011/12/01			ecn no	ELX-DG-008380-1	rel level	Released
TOLERANCES UNLESS OTHERWISE SPECIFIED		chr	Eleven Hu	2011/12/09						
surface	ASME Y14.5	appr	Pai-Ming Zheng	2011/12/09			title	HPCE-STRADDLE MT (36P-24S) (RECEPTACLE) SPECIAL CASE	dwg no	10118086
linear	0.X ±0.30 0.XX ±0.10 0.XXX ±0.05	www.fci.com		cat. no.	Product - Customer Drw		sheet 2 of 5	rev	B	
angular	0° ±3°									

OLD RECOMENDED HOST BOARD LAYOUT



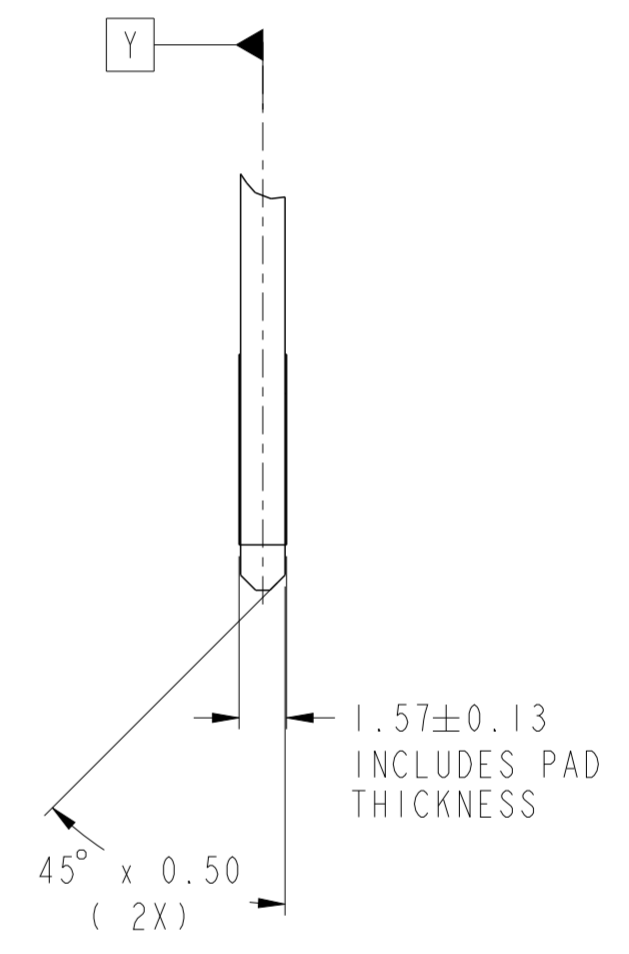
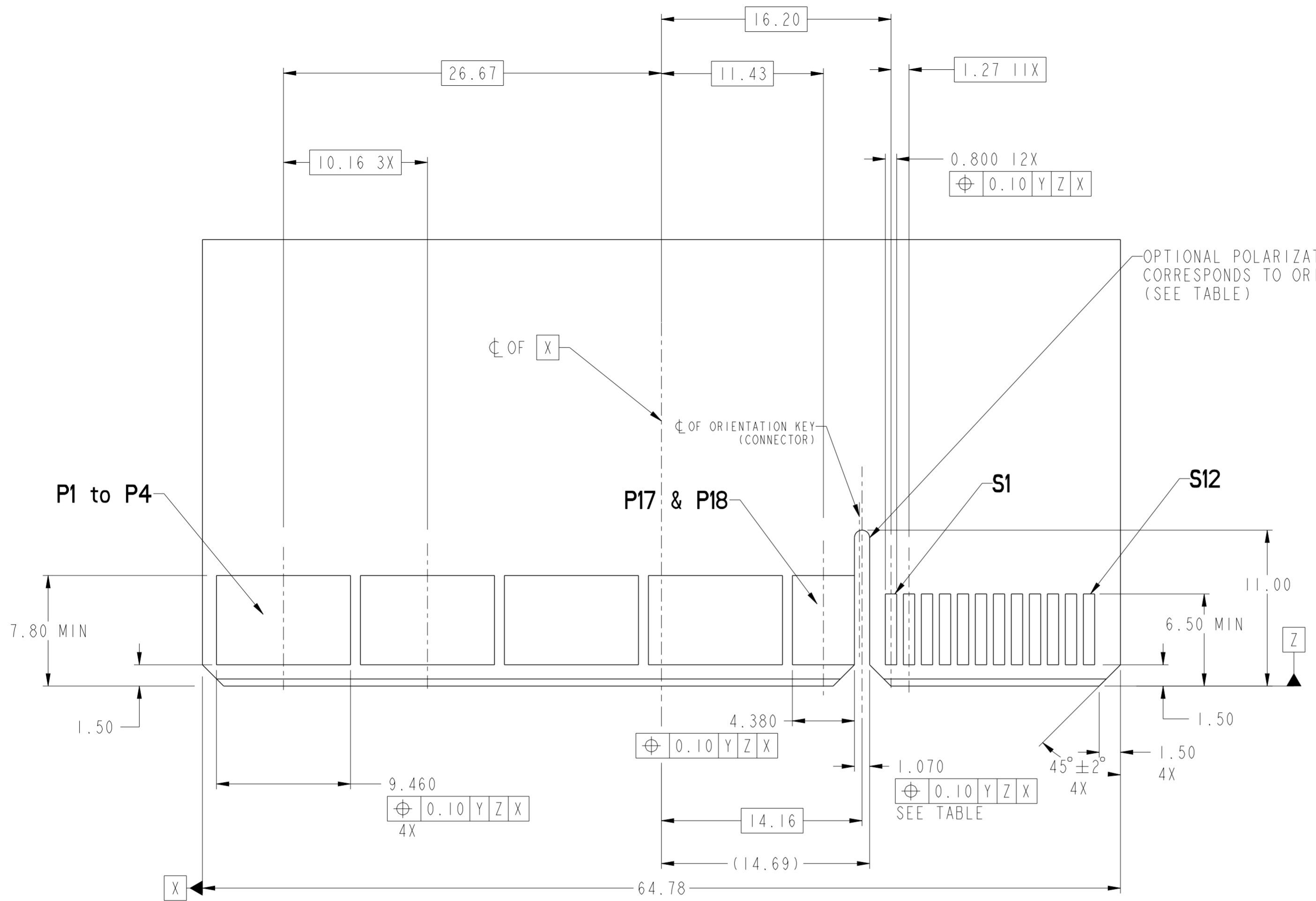
spec ref	-	dr	Wei-Long Zhang	2011/07/08	projection	MM	size	A2	scale	4:1
tolerance std	ASME Y14.5	eng	Wei-Long Zhang	2011/12/01			ecn no	ELX-DG-008380-1		
TOLERANCES UNLESS OTHERWISE SPECIFIED		chr	Eleven Hu	2011/12/09				rel level	Released	
surface	ASME Y14.5	appr	Pai-Ming Zheng	2011/12/09	product family	CARD EDGE	rel level	Blue		
linear	0.X ±0.30			title HPCE-STRADDLE MT (36P-24S) (RECEPTACLE) SPECIAL CASE	dwg no 10118086	rev B				
	0.XX ±0.10									
	0.XXX ±0.05									
angular	0° ±3°	www.fci.com		cat. no.	-		Product - Customer Drw		sheet 3 of 5	

PDS: Rev :B

STATUS:Released

Printed: Dec 09, 2011

Copyright FCI.
FCJ

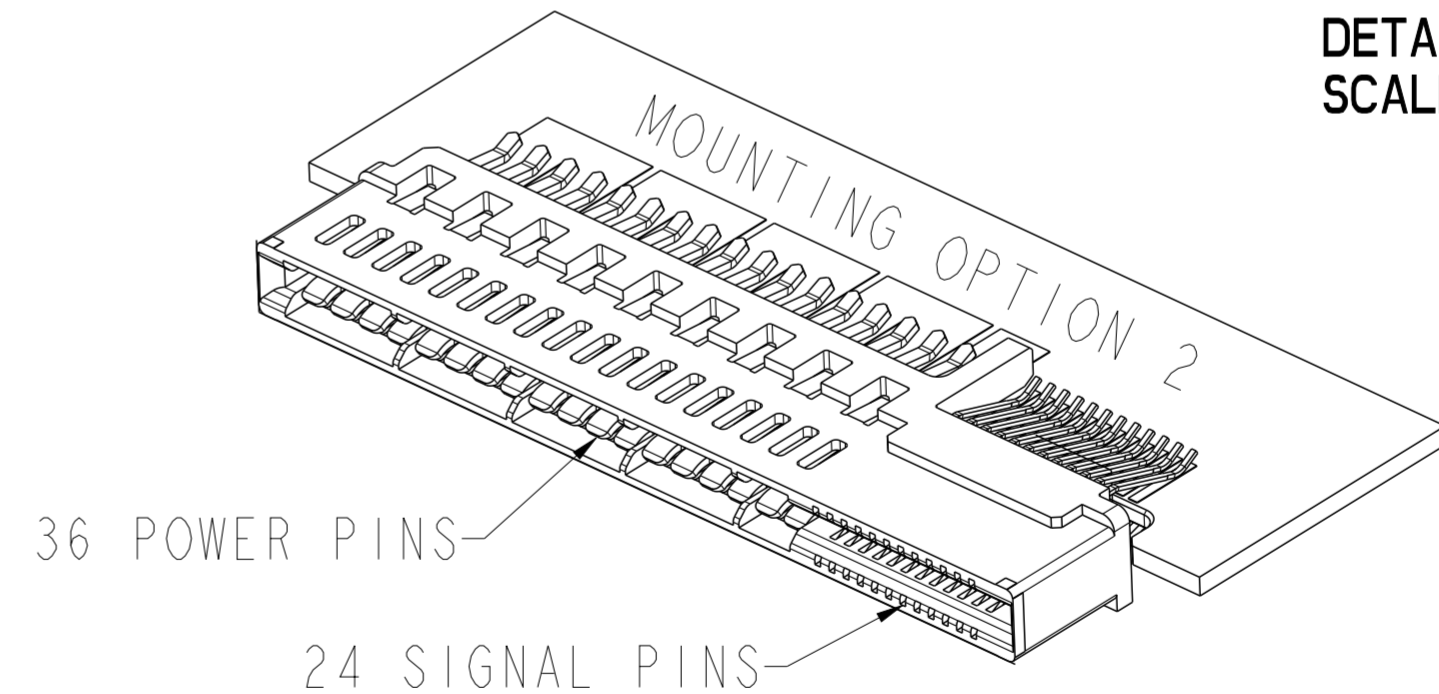
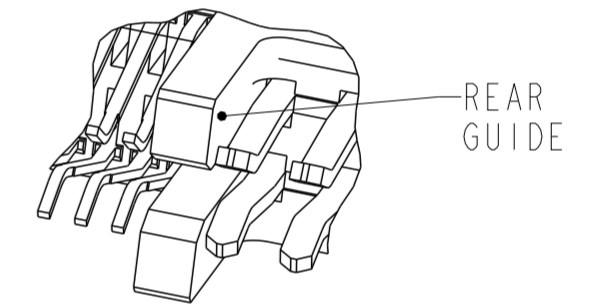
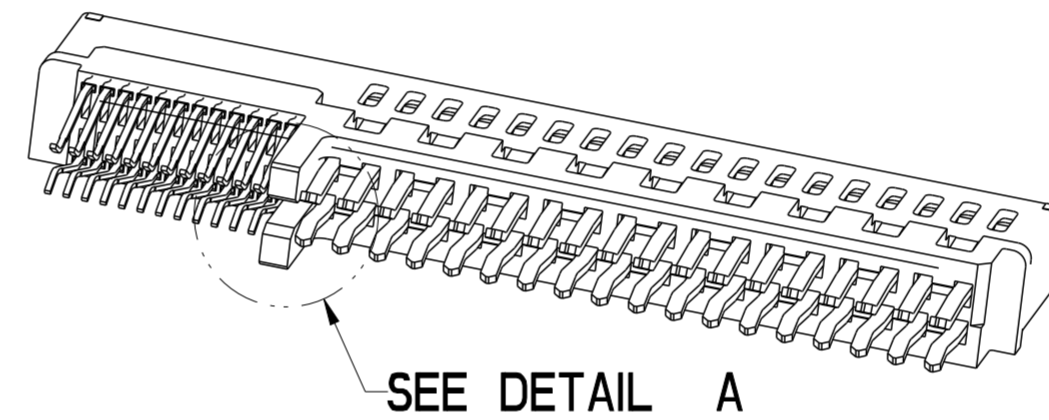
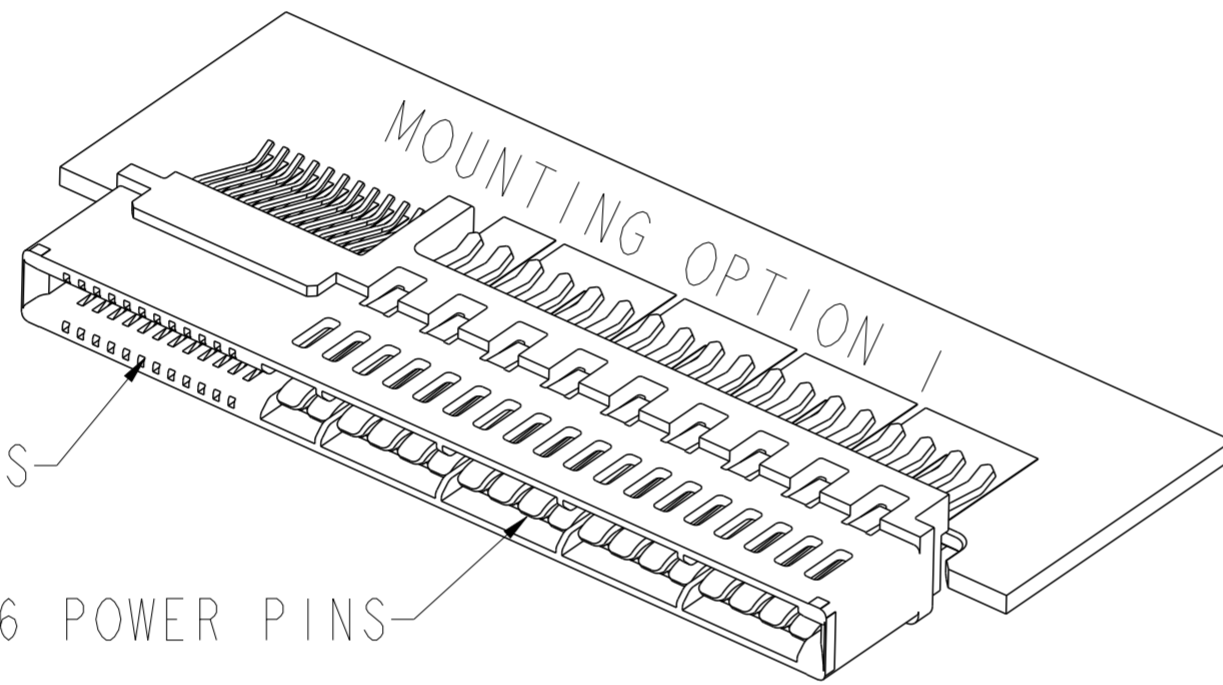
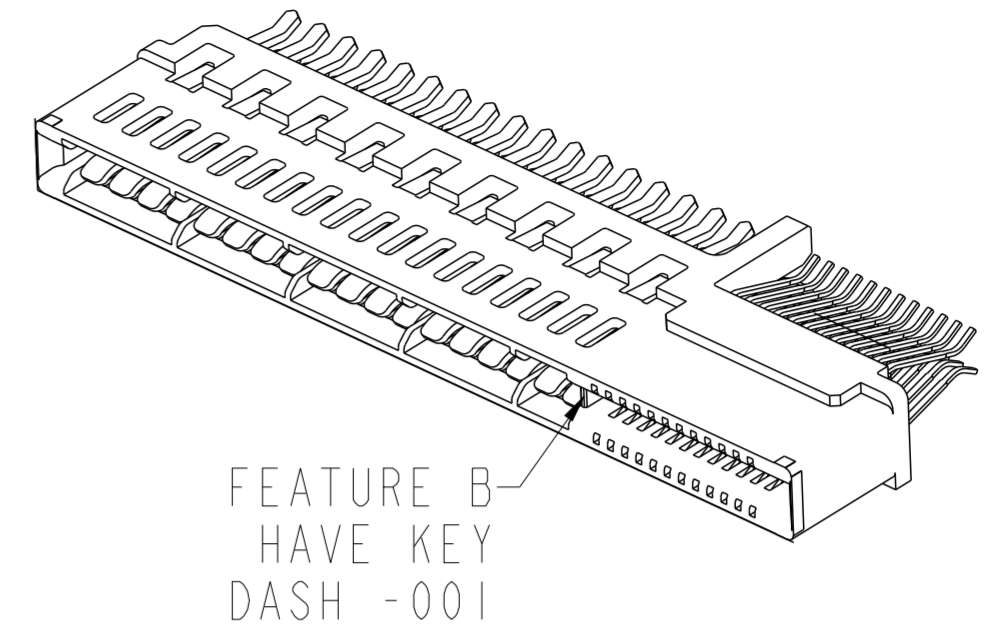
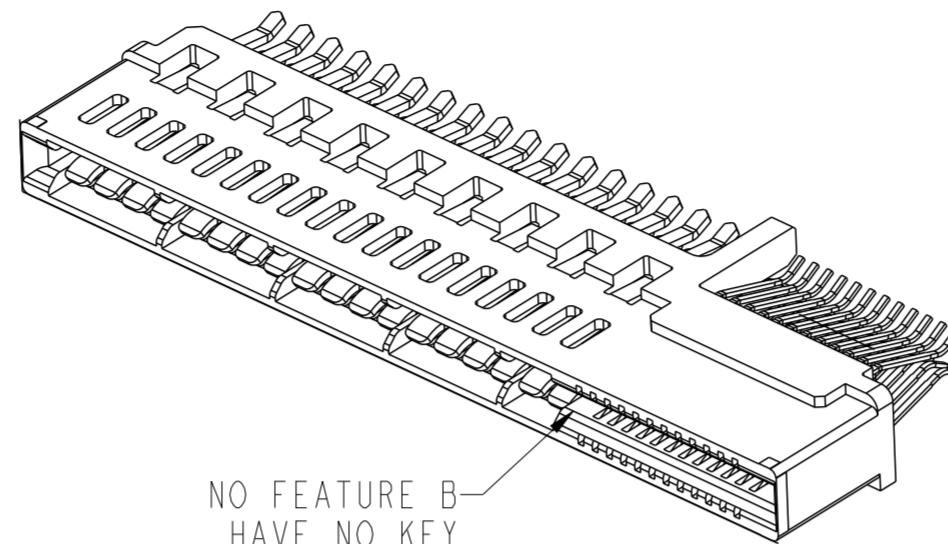


RECOMMENDED MATING BOARD FOOTPRINT

Copyright FCI.
FCI

spec ref	-	dr	Wei-Long Zhang	2011/07/08	projection	MM	size	A2	scale	4:1
tolerance std	ASME Y14.5	eng	Wei-Long Zhang	2011/12/01			ecn no	ELX-DG-008380-1	rel level	Released
TOLERANCES UNLESS OTHERWISE SPECIFIED		chr	Eleven Hu	2011/12/09						
surface	✓	appr	Pai-Ming Zheng	2011/12/09	product family	CARD EDGE	div no	10118086	rev	B
ASME Y14.5	linear	0.X	±0.30		HPCE-STRADDLE MT (36P-24S)		cat. no.	-	Product - Customer Drw	sheet 4 of 5
	0.XX	±0.10	(RECEPTACLE) SPECIAL CASE							
	0.XXX	±0.05								
	angular	0°	±3°	www.fci.com	PDS: Rev :B	STATUS:Released	Printed: Dec 09, 2011			

PART NUMBER	FEATURE B FRONT POLARIZATION KEY
10118086-001LF	YES
10118086-002LF	NO



DETAIL A
SCALE 4:1

NOTES:

- CONNECTOR MATERIALS:
HOUSING: HIGH TEMPERATURE THERMAL PLASTIC, BLACK
UL 94V-0 COMPLIANT
CONTACTS: HIGH PERFORMANCE COPPER ALLOY.
- CONTACT FINISH REF. GS-12-604 SECTION 5.2.
- PRODUCT SPECIFICATION: GS-12-604.
- APPLICATION SPECIFICATION: GS-20-128.
- PRODUCT MARKING (FCI - PART NUMBER & DATE CODE) ON HOUSING IN AREA SHOWN.
- PACKAGING MEETS FCI SPECIFICATION GS-14-937.
- HOUSING COMPONENT WILL WITHSTAND EXPOSURE TO 260°C PEAK TEMPERATURE FOR 60 SECONDS IN A CONVECTION, INFRA-RED, OR VAPOR PHASE REFLOW OVEN.
- THE OLD RECOMENDED BOARD IS ASSOCIATED WITH -001 & -002 PARTS. THE NEW HOST BOARD CAN BE USED WITH ALL DASH NUMBERS AND IS FOR IMPROVED SOLDER REFLOW PROCESS.

spec ref	-	dr	Wei-Long Zhang	2011/07/08	projection	MM	size	A2	scale	4:1		
tolerance std	ASME Y14.5	eng	Wei-Long Zhang	2011/12/01		CARD EDGE	ecn no	ELX-DG-008380-1				
surface	✓	chr	Eleven Hu	2011/12/09			rel level	Released	title	HPCE-STRADDLE MT (36P-24S) (RECEPTACLE) SPECIAL CASE	dwg no	10118086
ASME Y14.5	linear	appr	Pei-Ming Zheng	2011/12/09	product family		rev	B	www.fci.com	cat. no.	Product - Customer Drw	sheet 5 of 5
	angular											