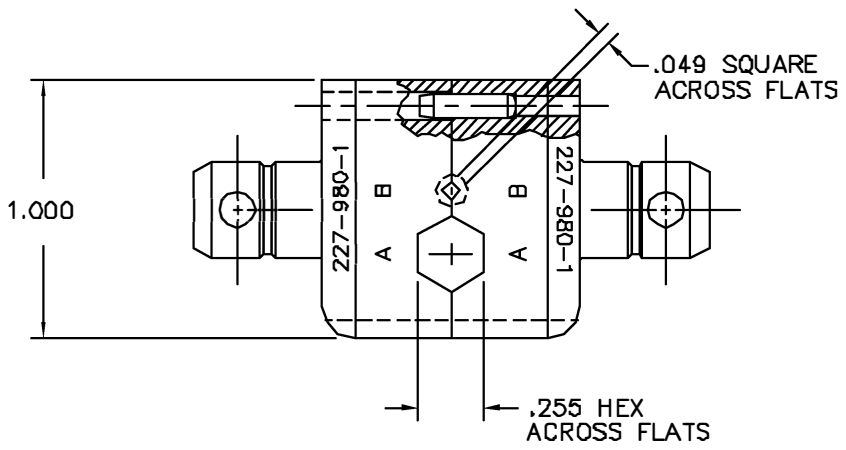
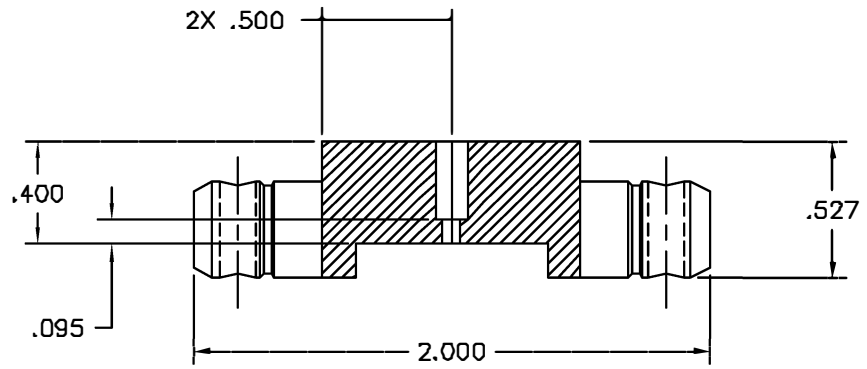



REVISIONS				
REV. SYM.	E.G.D. NUMBER	DESCRIPTION	BY DATE	APP'D DATE
1		ORIGINAL RELEASE	D.A.B. 8-8-97	DE 6-97



**UNCONTROLLED DOCUMENT  
WILL NOT BE UPDATED**

1. FUNCTIONAL EQUIVALENT TO AMPHENOL 227-980-1.

NOTES:

RESTRICTED & CONFIDENTIAL CONFIDENTIAL PROPERTY OF DANIELS MANUFACTURING CORP. NOT TO BE DISCLOSED TO OTHERS, REPRODUCED OR USED FOR ANY OTHER PURPOSE, EXCEPT AS AUTHORIZED IN WRITING BY DANIELS MANUFACTURING. MUST BE RETURNED TO DANIELS MANUFACTURING CORP. ON COMPLETION OF ORDER OR OTHER PURPOSE FOR WHICH LENT.	MATERIAL	ITEM	PART NO.	QTY.	DESCRIPTION/REMARKS			
	HEAT TREAT	DRN: D.DEPAIVA	DATE: 8-8-97		 DANIELS MANUFACTURING CORP. ORLANDO, FLORIDA CAGE 11851			
FINISH	DO NOT SCALE DRAWING	CHK'D: DE	DATE: 8-8-97			TITLE: DIE SET ENVELOPE DRAWING		
		APP'D:	DATE:		WHERE USED:			
		APP'D:	DATE:		SIZE: B	SCALE: 2X	CAD P/N: Y685-ENV	SHEET OF: 1 1
					POSTING:	P/N: Y685-ENV	REV: 1	