

THIS DRAWING IS UNPUBLISHED.

RELEASED FOR PUBLICATION

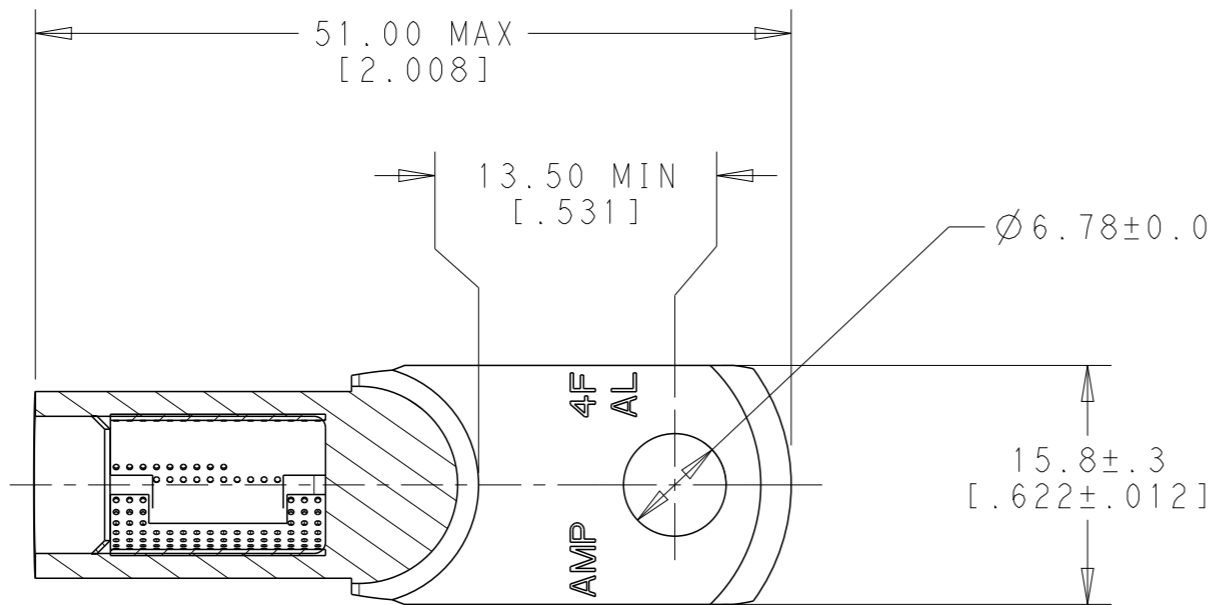
20

© COPYRIGHT 20 BY -

ALL RIGHTS RESERVED.

REVISIONS

P	LTR	DESCRIPTION	DATE	DWN	APVD
	G	REVISED PER ECO-15-013554	16SEP2015	DCB	PD



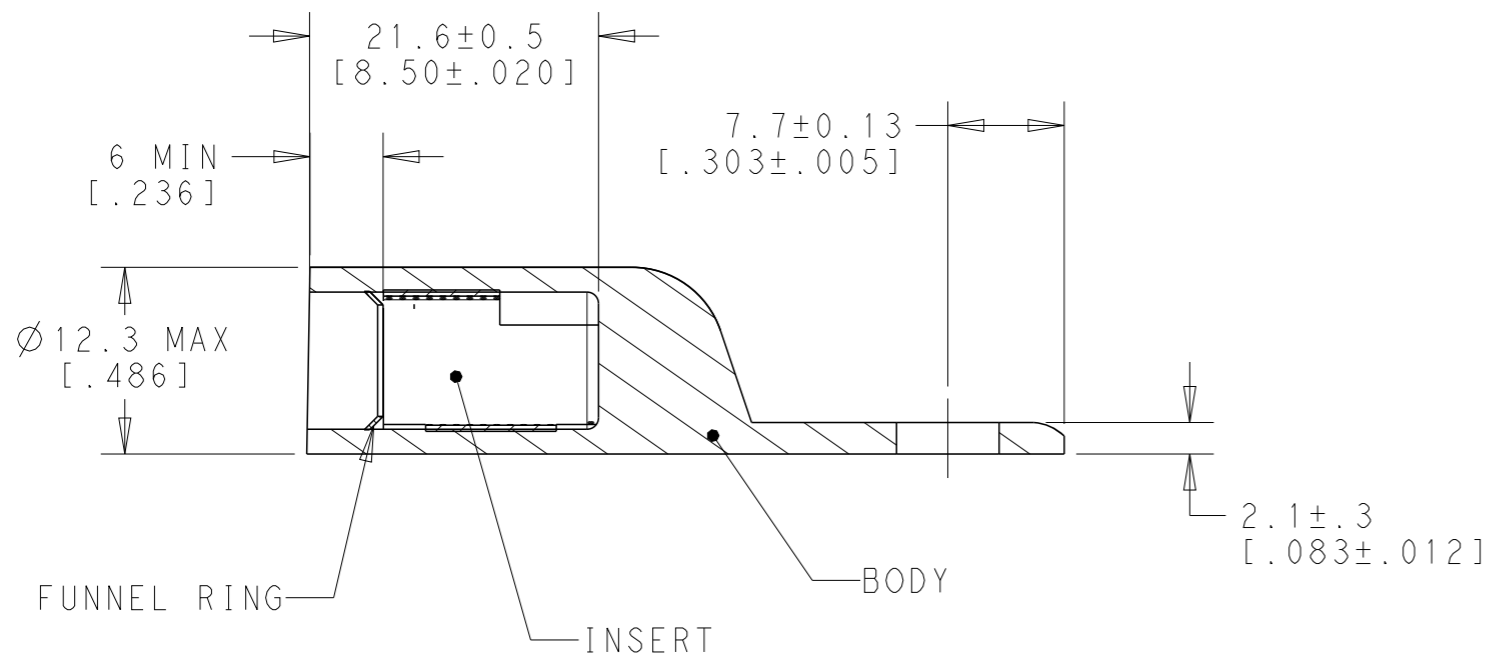
REFERENCE: 135148-2

BODY: COPPER ASTM-B187 ANNEALED  
 TIN PLATED 0.003[.000150] MIN THICK  
 PER MIL-T-10727

INSERT AND FUNNEL: BRASS ASTM B36  
 NICKEL PLATED SAE AMS QQ-N-290A  
 DATED JULY 2000, .00254[.000100] MIN THICK

NOTES:

- 1) WIRE INSULATION: 7.01-7.75 [.276-.305]
- 2) WIRE CMA: 42331
- 3) THE TONGUE RADIUS FEATURE IS NOT A TOOLING CONTROLLED DIMENSION AND MAY NOT BE A TRUE RADIUS.
- 4) WEIGHT: 21 GRAMS



THIS DRAWING IS A CONTROLLED DOCUMENT.		DWN D. BELACK	16SEP2015	TE Connectivity	
DIMENSIONS: mm [INCH]		CHK -	-		
TOLERANCES UNLESS OTHERWISE SPECIFIED:		APVD P. D'AMATO	16SEP2015	NAME SEALED COPALUM	
0 PLC ±- 1 PLC ±- 2 PLC ±- 3 PLC ±- 4 PLC ±- ANGLES ±-		PRODUCT SPEC -	-	RESTRICTED TO -	
MATERIAL TBD		APPLICATION SPEC -	-	SIZE A3	CAGE CODE -
FINISH -		WEIGHT -	-	DRAWING NO C-135148	SCALE 2:1
		Customer Drawing		SHEET 1 OF 1	REV G