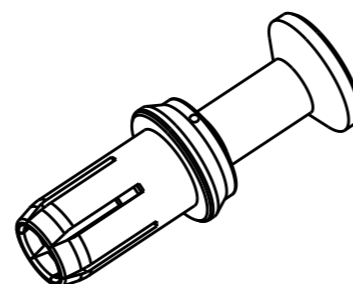
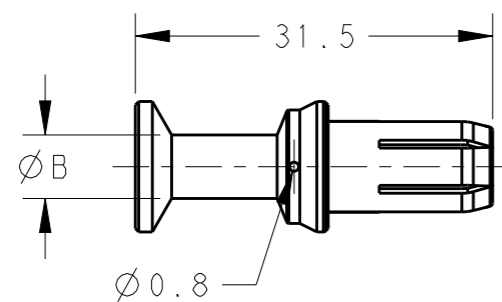


THIS DRAWING IS UNPUBLISHED. RELEASED FOR PUBLICATION 20
 © COPYRIGHT 20 BY - ALL RIGHTS RESERVED.

REVISIONS

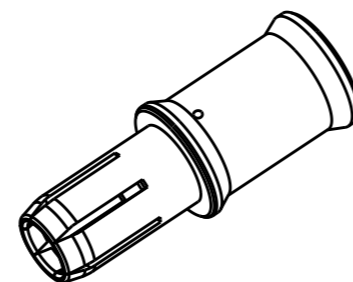
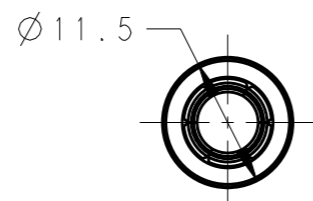
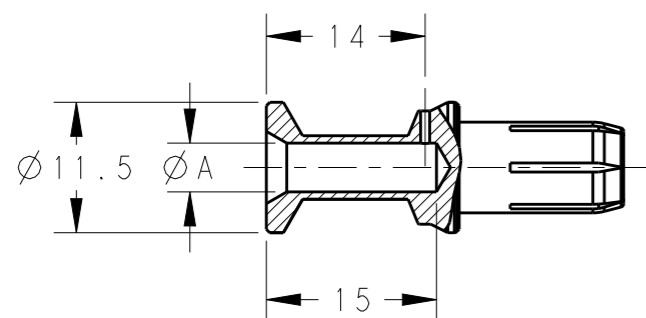
P	LTR	DESCRIPTION	DATE	DWN	APVD
	A	INITIAL	15MAY2015	DW	CW
	A1	ECR-16-015170	11JAN2017	YC	CW



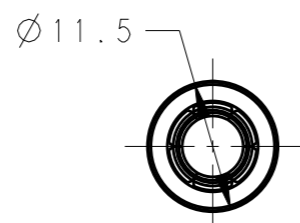
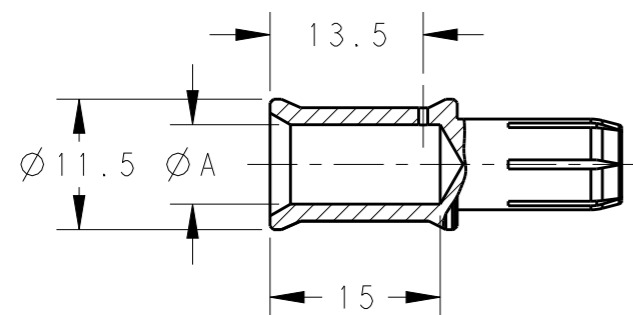
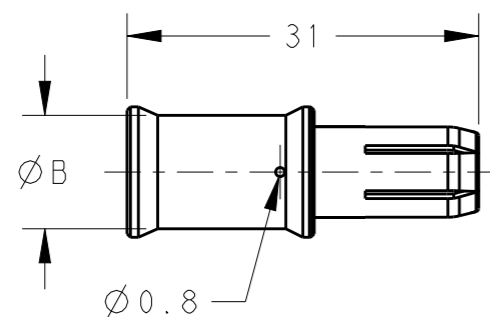
TYPE 1:
 CSF-10 T2400002100-000
 CSF-16 T2400002160-000
 类型 1:
 CSF-10 T2400002100-000
 CSF-16 T2400002160-000

NOTES:
 1. TECHNICAL CHARACTERISTICS:
 CONTACT MATERIAL: BRASS
 SURFACE PLATING:
 SILVER PLATING: $\geq 2\mu\text{m}$
 CONTACT RESISTANCE: $\leq 1.5\text{m}\Omega$
 WIRE RANGE: 10-25mm²


注释:
 1. 技术参数:
 公针材料: 黄铜
 表面电镀:
 镀银: $\geq 2\mu\text{m}$
 接触电阻: $\leq 1.5\text{m}\Omega$
 接线范围: 10-25mm²



TYPE 2:
 CSF-25 T2400002250-000
 类型 2:
 CSF-25 T2400002250-000



T2400002100-000	CSF-10	CSF-10,SILVER PLATING / SS母针 10mm ² , 镀银	4.3	5.6	10	15	TYPE 1
T2400002160-000	CSF-16	CSF-16,SILVER PLATING / SS母针 16mm ² , 镀银	5.5	8.5	16		TYPE 2
T2400002250-000	CSF-25	CSF-25,SILVER PLATING / SS母针 25mm ² , 镀银	7.0	10.0	25		
PART NUMBER 料号	PART DESCRIPTION 描述		ØA	ØB	WIRE GAUGE 线规(mm ²)	STRIPPING LENGTH(mm) 剥线长度	TYPE 类型

THIS DRAWING IS A CONTROLLED DOCUMENT.		DWN 15MAY2015 DAVID WANG	 TE Connectivity	
DIMENSIONS: mm		CHK 15MAY2015 CHRIS WANG		
TOLERANCES UNLESS OTHERWISE SPECIFIED:		APVD 15MAY2015 XIANG XU	NAME CSF SS SOCKET CONTACT	
0 PLC ±- 1 PLC ±- 2 PLC ±- 3 PLC ±- 4 PLC ±- ANGLES ±-		PRODUCT SPEC 108-137059	SIZE A3	
MATERIAL -		APPLICATION SPEC 114-137059	CAGE CODE 00779	DRAWING NO T2400002XX0000
FINISH -		WEIGHT -	RESTRICTED TO -	
		CUSTOMER DRAWING	SCALE 3:2	SHEET 1 OF 1 REV A1