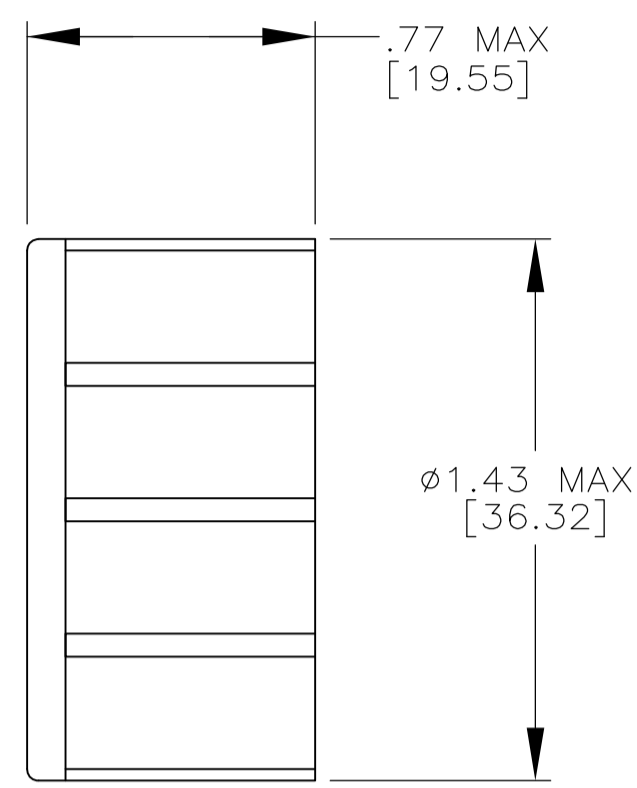
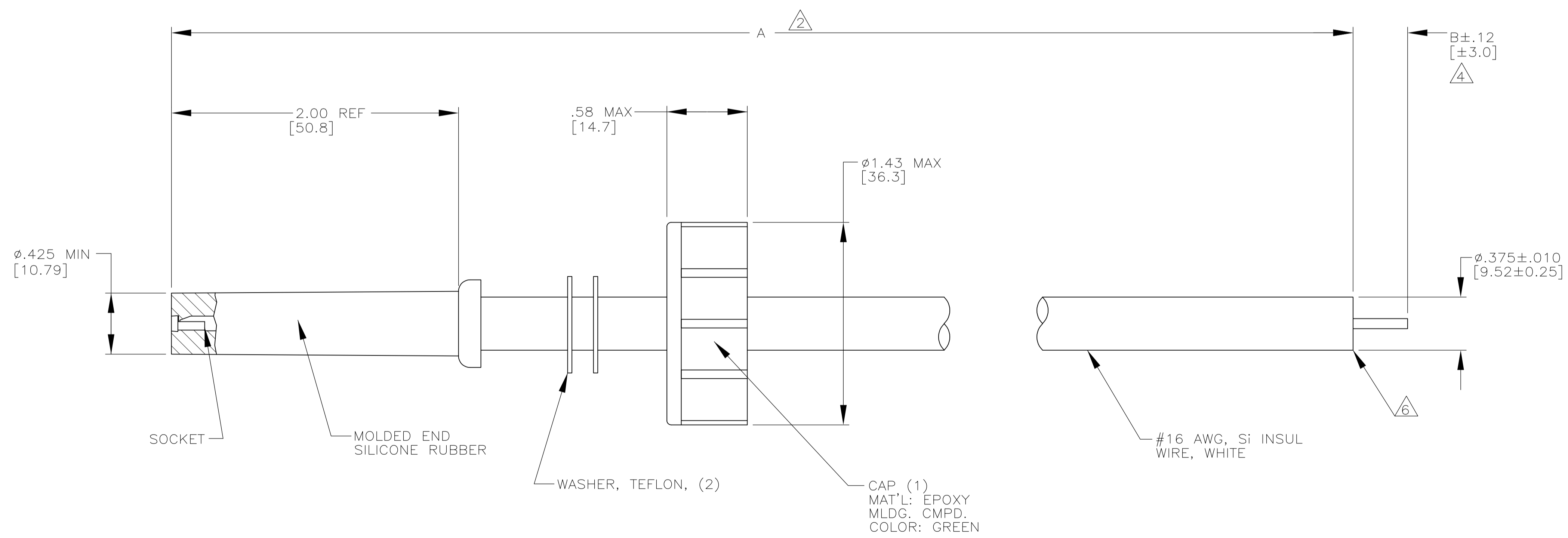


PART NO.	A	B	REMARKS
846290-1	12.00 [304.8]	.38 [9.7]	⚠
846290-2	16.00 [406.4]	.38 [9.7]	⚠
846290-3	24.00 [609.6]	.38 [9.7]	⚠
846290-4	48.00 [1219.2]	.38 [9.7]	⚠
846290-5	39.00 [990.6]	.38 [9.7]	⚠
846290-6	36.00 [914.4]	.38 [9.7]	⚠
846290-7	15.75 [400.0]	-	⚠
846290-8	72.00 [1828.8]	.38 [9.7]	⚠
846290-9	60.00 [1524.0]	.38 [9.7]	⚠
1-846290-0	84.00 [2133.6]	.38 [9.7]	⚠
1-846290-1	96.00 [2438.4]	.38 [9.7]	⚠
1-846290-2	56.00 [1422.4]	.38 [9.7]	⚠
1-846290-3	600.00 [15240.0]	.38 [9.7]	⚠
1-846290-4	20.00 [508.0]	.38 [9.7]	⚠
1-846290-5	30.00 [762.0]	.38 [9.7]	⚠
1-846290-6	18.00 [457.2]	.38 [9.7]	⚠
1-846290-7	6.00 [152.4]	.38 [9.7]	⚠
1-846290-8	7.00 [177.8]	.38 [9.7]	⚠
1-846290-9	8.50 [215.9]	.38 [9.7]	⚠
2-846290-0	16.50 [419.1]	.38 [9.7]	⚠
2-846290-1	9.00 [228.6]	.38 [9.7]	⚠
2-846290-2	10.00 [254.0]	.38 [9.7]	⚠
2-846290-3	21.00 [533.4]	.38 [9.7]	⚠
2-846290-4	32.00 [812.8]	.38 [9.7]	⚠
2-846290-5	28.00 [711.2]	.38 [9.7]	⚠
2-846290-6	82.00 [2082.8]	.38 [9.7]	⚠
2-846290-7	76.00 [1930.4]	.38 [9.7]	⚠
2-846290-8	120.00 [3048.0]	.38 [9.7]	⚠
2-846290-9	54.00 [1371.6]	.38 [9.7]	⚠
3-846290-0	78.75 [2000.2]	.38 [9.7]	⚠
3-846290-1	32.50 [825.5]	.38 [9.7]	⚠
3-846290-2	394.00 [10007.6]	.38 [9.7]	⚠
3-846290-3	50.00 [1270.0]	.38 [9.7]	⚠
3-846290-4	787.00 [19989.8]	.38 [9.7]	⚠
3-846290-5	39.38 [1000.3]	.38 [9.7]	⚠
3-846290-6	27.00 [685.8]	.38 [9.7]	⚠
3-846290-7	198.00 [5029.2]	.38 [9.7]	⚠
3-846290-8	32.00 [812.8]	.38 [9.7]	⚠
3-936566-9	40.00 [1016.0]	.38 [9.7]	⚠
4-846290-0	315.00 [8001.0]	.38 [9.7]	⚠
4-846290-1	1181.00 [29997.4]	.38 [9.7]	⚠
4-846290-2	65.00 [1651.0]	.38 [9.7]	⚠
4-846290-3	87.00 [2209.8]	.38 [9.7]	⚠
4-846290-4	48.00 [1219.2]	.38 [9.7]	⚠
5-846290-1	12.00 [304.8]	.38 [9.7]	⚠
5-846290-3	24.00 [609.6]	.38 [9.7]	⚠
5-846290-4	48.00 [1219.2]	.38 [9.7]	⚠
5-846290-6	36.00 [914.4]	.38 [9.7]	⚠
5-846290-7	15.75 [400.0]	-	⚠
6-846290-2	56.00 [1422.4]	.38 [9.7]	⚠
6-846290-4	20.00 [508.0]	.38 [9.7]	⚠
6-846290-5	30.00 [762.0]	.38 [9.7]	⚠
6-846290-6	18.00 [457.2]	.38 [9.7]	⚠
7-846290-0	16.50 [419.1]	.38 [9.7]	⚠
7-846290-6	82.00 [2082.8]	.38 [9.7]	⚠
7-846290-8	120.00 [3048.0]	.38 [9.7]	⚠
8-846290-7	198.00 [5029.2]	.38 [9.7]	⚠
9-846290-0	315.00 [8001.0]	.38 [9.7]	⚠
9-846290-1	1181.00 [29997.4]	.38 [9.7]	⚠
9-846290-4	48.00 [1219.2]	.38 [9.7]	⚠



4-846290-2 & 4-846290-4 ONLY



LOC	DIST	REVISIONS					
DF	SO	P	LTR	DESCRIPTION	DATE	DN	APVD
		W		REV PER ECO-11-009838	16MAY11	PY	DE

1. MARKED PER MIL-STD-130.
- ⚠ TOLERANCE OF LEAD LENGTH:
UP TO 24 INCHES [609.6] = ±.12 [3.0]
24 INCHES [609.6] & UP = 1%
3. OPERATING VOLTAGE: 50 KVDC AT 0 TO 70,000 FEET, -55°C TO 125°C.
- ⚠ WHERE APPLICABLE "B" LENGTH IS SOLDER DIPPED.
5. TO MATE WITH WITH AMP LGH-4 RECEPTACLE WITH 2.00 [50.80] BARREL DEPTH.
- ⚠ INSULATION CUT, BUT NOT REMOVED.

THIS DRAWING IS A CONTROLLED DOCUMENT.

DIMENSIONS: INCHES [mm]	TOLERANCES UNLESS OTHERWISE SPECIFIED:	DIN C.C.THOMAS 11-DEC-89	TE Connectivity
0. PLC ± - 1. PLC ± - 2. PLC ± .02 [0.5] 3. PLC ± - 4. PLC ± - ANGLES ± -	FINISH -	CHK S. GLATFELTER 19-DEC-89 APVD G. SCHEFFER 19-DEC-89 PRODUCT SPEC APPLICATION SPEC WEIGHT - CUSTOMER DRAWING	
MATERIAL SEE CALLOUTS		SIZE A1	NAME LEAD ASSY SGL END LGH-4 SCALE 2:1 SHEET 1 OF 1 REV W