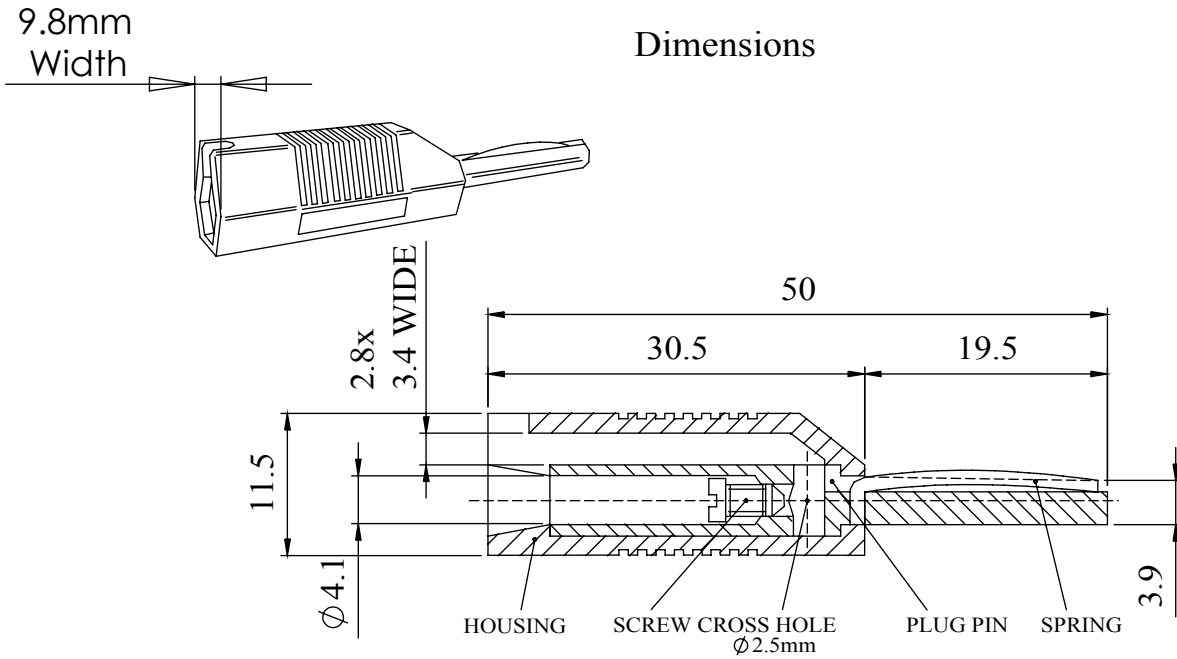


A 4mm plug at the front and 4mm socket at the rear provides a reliable in-line stacking facility. The lead wire is clamped securely in position by the screw located inside the plug. The pliable PVC housing comes in various colours.

Dimensions



MATERIALS

- HOUSING : PVC C36/20
- SCREW : Brass, bright nickel plated
- PLUG PIN : Brass, bright nickel plated
- SPRING : Spring Steel
- RATING : 16 Amps
- RATED VOLTAGE : 50V

COLOUR	ORDER CODE
BLACK	553-0100
BLUE	553-0200
BROWN	553-0300
GREEN	553-0400
RED	553-0500
WHITE	553-0600
YELLOW	553-0700

Tel No. +44(0)1724 273200 Website www.dem-uk.com

PROPRIETARY AND CONFIDENTIAL
 THE INFORMATION CONTAINED IN THIS DRAWING IS THE SOLE PROPERTY OF
ALPHA 3 MANUFACTURING.
 ANY REPRODUCTION IN PART OR AS A WHOLE WITHOUT THE WRITTEN PERMISSION OF
ALPHA 3 MANUFACTURING IS PROHIBITED.

UNLESS OTHERWISE SPECIFIED:
 DIMENSIONS ARE IN MILLIMETRES
 LINEAR TOLERANCE:
NO DECIMAL PLACES ±0.5mm
1 DECIMAL PLACE ±0.25mm
2 DECIMAL PLACES ±0.125mm
 ANGULAR TOLERANCE: ±1°



DEM Manufacturing, Deltron Emcon House
 Hargreaves Way, Sawcliffe Ind. Park,
 Scunthorpe, North Lincolnshire, DN15 8RF, UK

FINISH	STACKABLE PLUG	DEBURR AND BREAK SHARP EDGES	DRAWN BY	SPB	TITLE	GENERAL SPECIFICATION FOR 553 SERIES	
			APPROVED BY	WC			
			THIRD ANGLE PROJECTION	SHEET 1 OF 1	DRAWING NO.	553 SERIES	ISSUE 07
MATERIAL	SEE NOTE			SCALE 1:1			Release
				A4			