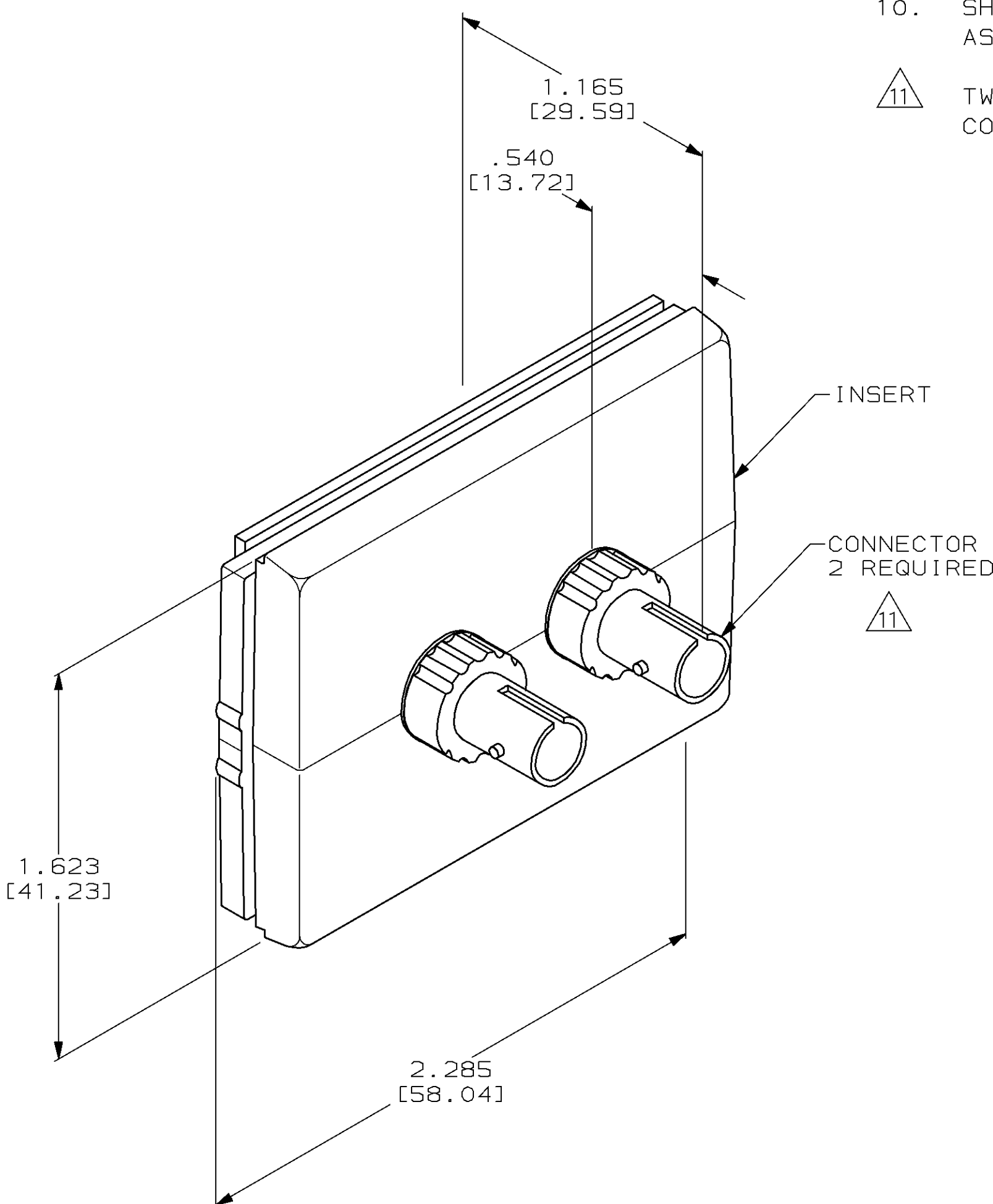


LOC		DIST		REVISIONS				
AA	28	P	F	ZONE	LTR	DESCRIPTION	DATE	APPD
				A		OBS: -2, -3; EC 0502-0269-96	22MAY97	DS AD



- 10. SHIPPING WEIGHT: 0.06 POUNDS PER ASSEMBLY.
- 11. TWO DUST COVERS FURNISHED ON EACH CONNECTOR, NOT SHOWN.

- 1. DIMENSIONS ARE MAXIMUM UNLESS OTHERWISE SPECIFIED.
- 2. DIMENSIONS IN BRACKETS [] ARE IN MILLIMETERS.
- 3. DESCRIPTION: INSERT ASSEMBLY USED WITH THE SURFACE MOUNT OUTLET AS A NONPERMANENT COUPLING FOR TWO SETS OF 2.5mm FIBER OPTIC CABLES.
- 4. MATERIAL: INSERT - ABS MOLDING COMPOUND, 94V-0 RATED, SEE TABLE FOR COLOR.
CONNECTOR: RECEPTACLE-NICKEL PLATED ZINC. RETAINER-POLYESTER MOLDING COMPOUND. SLEEVE-POLYPHENYLENE SULFIDE MOLDING COMPOUND. LOCKWASHER-STAINLESS STEEL. NUT-NICKEL PLATED BRASS.
- 5. FEATURES:
A) MECHANICAL CONNECTION OF TWO FIBER OPTIC CABLES WITHOUT PERMANENTLY JOINING THE TWO FIBER OPTICS.
B) TWIST-ON INSTALLATION OF THE FIBER OPTIC CABLES.
C) CONTROLLED STORAGE FOR 2-3 FEET EACH OF TWO DUAL FIBERS AT THE RECOMMENDED BEND RADIUS.
- 6. APPROVALS: N/A
- 7. ELECTRICAL PARAMETERS: N/A
- 8. PACKAGING: ONE ASSEMBLY PER PRINTED POLYBAG.
- 9. MOUNTING: SNAPS INTO THE SURFACE MOUNT OUTLET.

WAS 91-1800-17

557350

LIGHT ALMOND	557350-1
COLOR	PART NO

DO NOT SCALE PRINT. UNLESS SPECIFIED DIMENSIONS IN INCHES [mm] TOLERANCES ON: 2 PLC DEC ± 3 PLC DEC ± ANGLES ±	DR 4-28-92 M. MAYBERRY/UTA	AMP Incorporated Harrisburg, PA 17105-3608 NAME INSERT ASSEMBLY, DUAL BAYONET CONNECTOR, SURFACE MOUNT OUTLET
	CHK 6-16-92 D. HUSSEY	
APPD 6-16-92 S. PUCKETT		
APPD 6-16-92 M. MILLER		
MATERIAL	PRODUCT SPEC	
FINISH	APPLICATION SPEC	SIZE CAGE CODE DRAWING NO
		SCALE 2:1 SHEET 1 OF 1
	WEIGHT -	

CAD DRAWINGS
 THIS DRAWING WAS CREATED ON A COMPUTER AIDED DESIGN (CAD) SYSTEM. TO INSURE THE INTEGRITY OF THE DATA BASE ALL CHANGES/REVISIONS MUST BE MADE ON THE CAD SYSTEM.