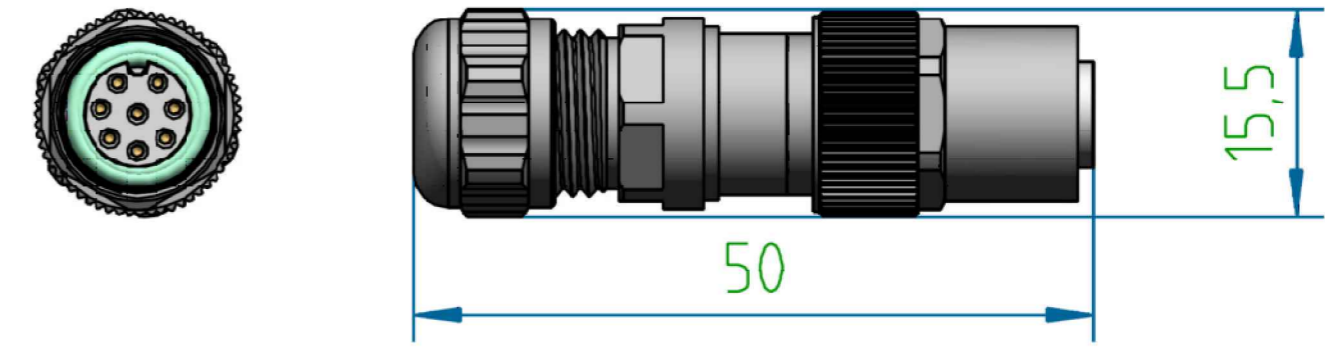
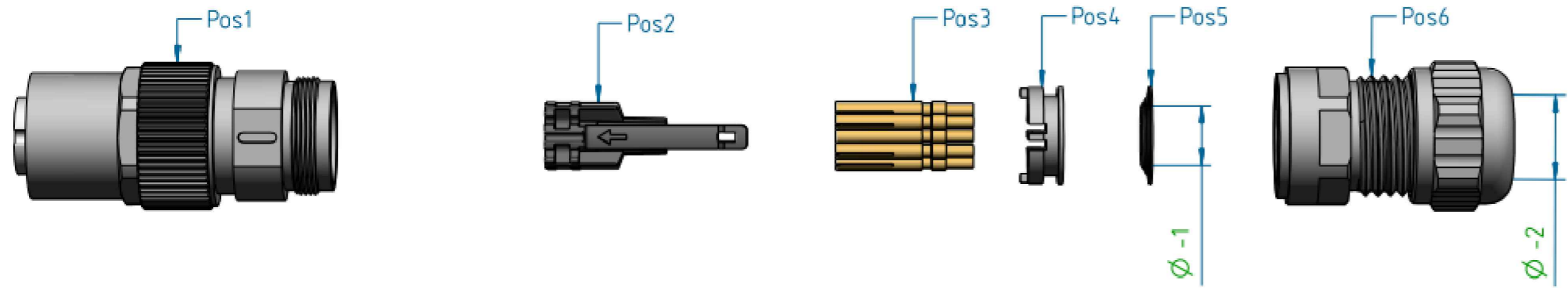
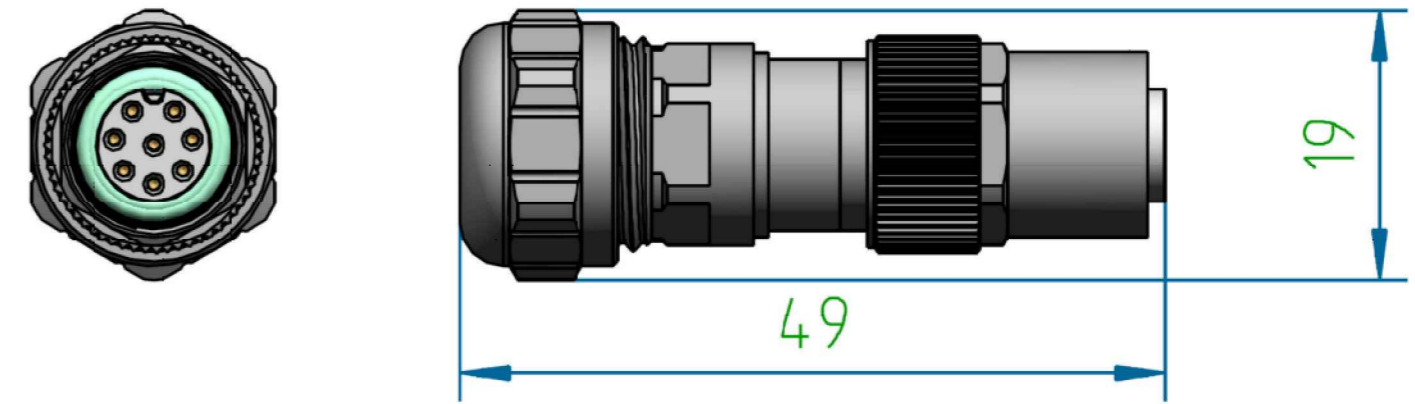


|                              |  |                          |  |
|------------------------------|--|--------------------------|--|
| THIS DRAWING IS UNPUBLISHED. |  | RELEASED FOR PUBLICATION |  |
| © COPYRIGHT - By -           |  | ALL RIGHTS RESERVED.     |  |
| PROJECT                      | PRJ-14-00004825                              |                          |  |
| PART NO.                     | X-2308323-X                                  |                          |  |
| DESCRIPTION                  | M12 A-CODED F-8 CABLE GLAND CONNECTOR FEMALE |                          |  |
| CUSTOMER                     | GENERAL MARKET                               |                          |  |

| REVISIONS |     |                           |           |       |
|-----------|-----|---------------------------|-----------|-------|
| P         | LTR | DESCRIPTION               | DATE      | APVD  |
| A4        |     | REVISED PER ECR-17-005478 | 14APR2017 | KK SE |



M12 A-8 FEMALE CABLE CLAMP RANGE FROM 4-6.5 mm



M12 A-8 FEMALE CABLE CLAMP RANGE FROM 5.5-9 mm

| SL. NO. | QTY | DESCRIPTION        | MATERIAL               |
|---------|-----|--------------------|------------------------|
| 6       | 1   | CABLE GLAND        | Cu-ALLOY               |
| 5       | 1   | DISC               | Cu-ALLOY               |
| 4       | 1   | DISC HEAD          | Cu-ALLOY               |
| 3       | -   | ORDERED SEPARATELY | Cu-ALLOY GOLD-PLATED   |
| 2       | 1   | CONTACT HOLDER     | PA (THERMOPLAST)       |
| 1       | 1   | FRONT HOUSING      | Cu-ALLOY NICKEL-PLATED |

M12 A-CODED F-8 CABLE GLAND FEMALE CONNECTOR

| SL. NO. | TE PART NO. | DESCRIPTION   | CONTACTS | Ø-1    | Ø-2      |
|---------|-------------|---|----------|--------|----------|
| 1       | 1-2308323-1 | M12 A-CODED F-8 CABLE GLAND CONNECTOR FEMALE 4-6.5 mm | 8        | 4-6 mm | 4-6.5 mm |
| 2       | 1-2308323-2 | M12 A-CODED F-8 CABLE GLAND CONNECTOR FEMALE 5.5-9 mm | 8        | 4-7 mm | 5.5-9 mm |

| SHIELD DISC CHART |                         |                                 |
|-------------------|-------------------------|---------------------------------|
| PART NAME         | CENTER HOLE SHIELD DISC | CABLE DIAMETER W/O OUTER SHEATH |
| SHIELD DISC 1     | 4 mm                    | 3.9 mm MAX.                     |
| SHIELD DISC 2     | 5 mm                    | 4.9 mm MAX.                     |
| SHIELD DISC 3     | 6 mm                    | 5.9 mm MAX.                     |
| SHIELD DISC 4     | 7 mm                    | 6.9 mm MAX.                     |

| CONTACTS TABLE |            |         |           |             |  |
|----------------|------------|---------|-----------|-------------|--|
| M12 CODING     | PIN/SOCKET | PICTURE | WIRE SIZE | TE P/N      | DESCRIPTION                            |
| A8 CODING      | REC        |         | AWG22     | 1-2314101-1 | M12 CRIMP CONTACT SOCKET 0.8mm Au 0.8µ |
|                |            |         | AWG26     | 1-2314101-2 | M12 CRIMP CONTACT SOCKET 0.8mm Au 0.8µ |

PLEASE NOTE: CONTACTS NEED TO BE ORDERED SEPARATELY DEPENDING ON THE AWG SIZE.



ISO VIEW

NOTES:

- ALL DIMENSIONS ARE FOR NOMINAL REFERENCE ONLY.
- PACKAGING: 1 PIECE IN A BAG.
- THE CONNECTOR IS AS PER IEC 61076-2-101.
- TEMPERATURE RANGE: -40°C TO 85°C.
- VIBRATION & SHOCK TEST CONDUCTED AS PER IEC 61373:1999.
- FIRE PERFORMANCE CONDUCTED AS PER EN45545-2, NFF16-101 AND NFF16-102.
- THE THREAD OF THE MATING INTERLACE WITH THE COUNTERPART IS M12x1 ACCORDING TO IEC61076-2-101.
- SUPPLIER RECOMMENDED CRIMP INSERT: SHOULD BE VALIDATED ON CABLE USED.
- SHIELD DISC 1 - 4 ARE SUPPLIED IN THE BOX.

|   |  |                                |   |                         |
|---|--|--------------------------------|---|-------------------------|
| THIS DRAWING IS A CONTROLLED DOCUMENT.                                      |  | DWN<br>KIRAN K<br>21NOV2016    | TE Connectivity                                       |                         |
| DIMENSIONS: mm  |  | CHK<br>KIRAN K<br>21NOV2016    |   |                         |
| TOLERANCES UNLESS OTHERWISE SPECIFIED: DIN ISO 2768 m                       |  | APVD<br>S EGBERT<br>21NOV2016  | NAME<br>M12 A-CODED F-8 CABLE GLAND CONNECTORS FEMALE |                         |
| 0 PLC ± -<br>1 PLC ± -<br>2 PLC ± -<br>3 PLC ± -<br>4 PLC ± -<br>ANGLES ± - |  | PRODUCT SPEC<br>108-156001     | SIZE<br>A2  |                         |
| MATERIAL  |  | APPLICATION SPEC<br>114-156002 | CAGE CODE<br>00779                                    | DRAWING NO<br>C=2308323 |
| FINISH  |  | WEIGHT                         | SCALE<br>NTS  | SHEET<br>1 of 1         |
|   |  | CUSTOMER DRAWING               | RESTRICTED TO   | REV<br>A4               |