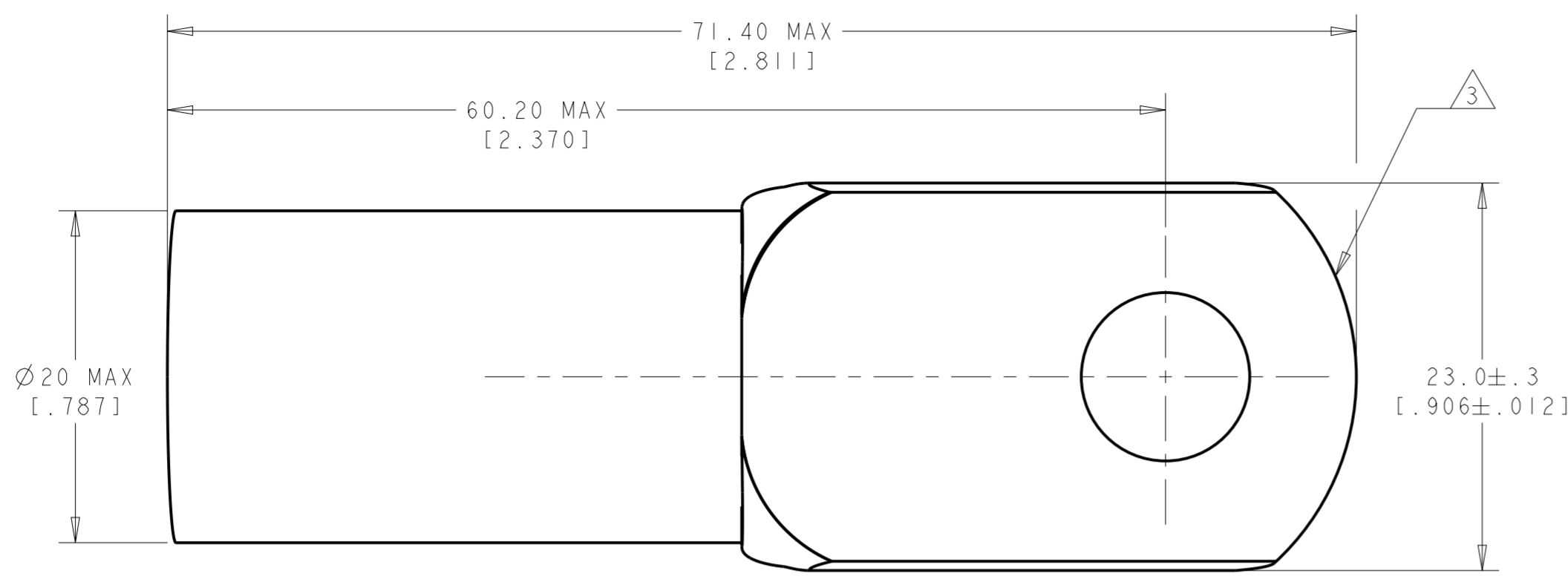
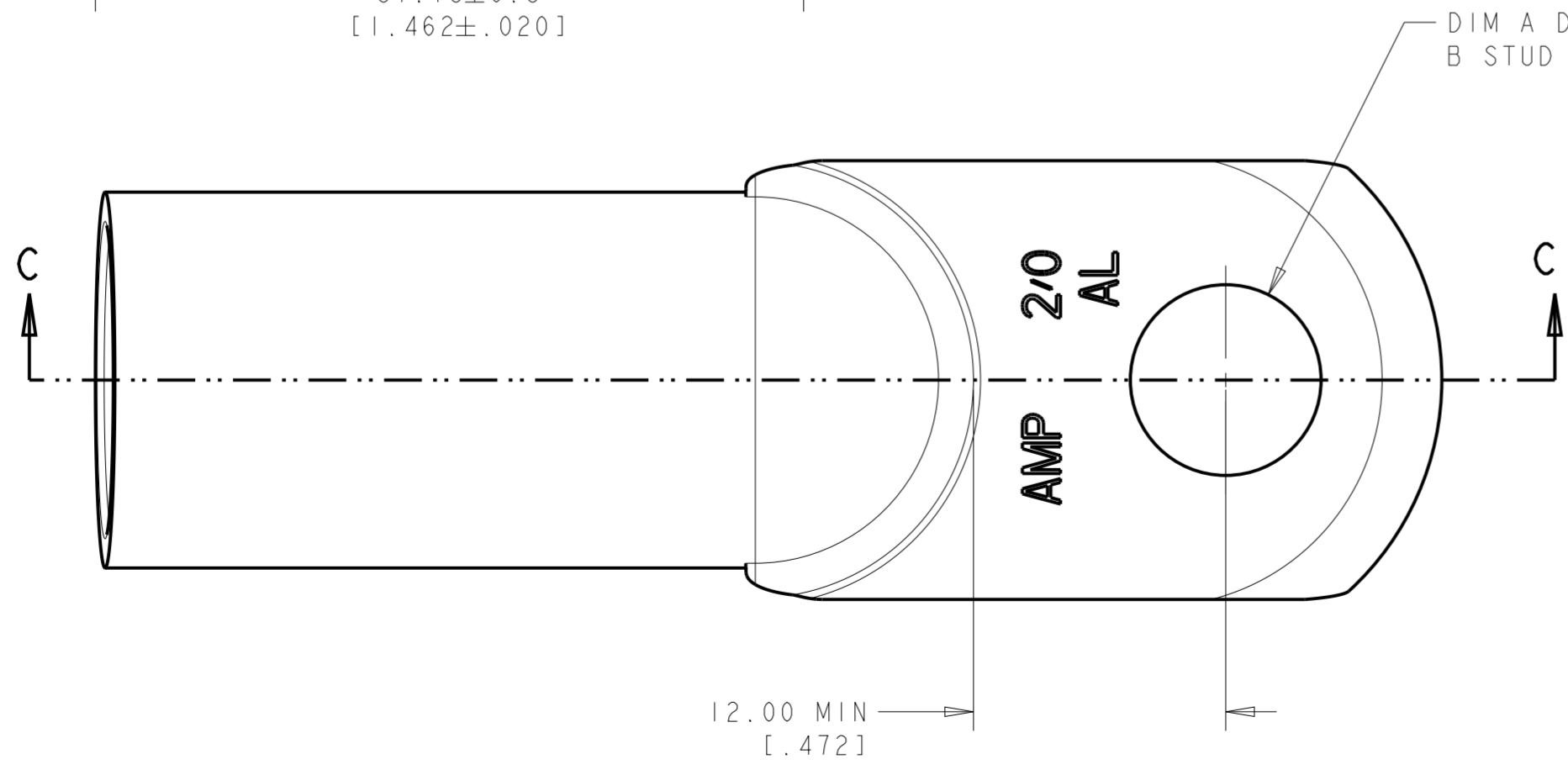
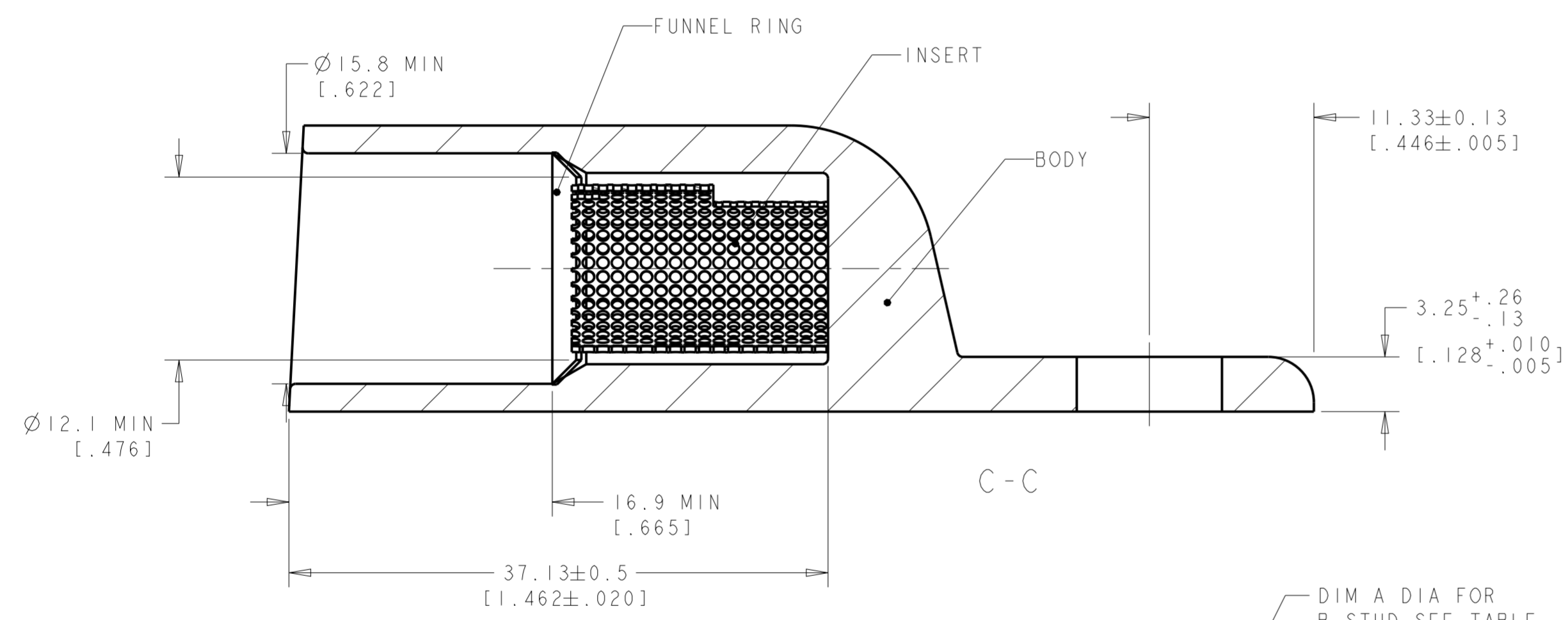


THIS DRAWING IS UNPUBLISHED. RELEASED FOR PUBLICATION 20  
 © COPYRIGHT 20 BY - ALL RIGHTS RESERVED.

REVISIONS				
P	LTR	DESCRIPTION	DATE	APVD
	K	REV PER ECO 14-015092	10-6-14	CT PD



1: WIRE INSULATION : 12.7[.500]-14.0[.551]  
 2: WIRE CMA: 119500 to 150500  
 3: TONGUE RADIUS FEATURE IS NOT A TOOLING CONTROLLED DIMENSION AND MAY NOT BE A TRUE RADIUS



WEIGHT	DIM A	B	MATERIAL&FINISH	PART NUMBER	
80 gms	6.73+/-0.04 [.265+/-0.002]	1/4 or M6	BODY: COPPER ASTM B187 ANNEALED TIN PLATE .00381[.000150] MIN THICK PER MIL-T-10727	134594-4	OBSOLETE
79 gms	8.34±0.04 [.328±.002]	5/16 or M8	INSERT&FUNNEL: BRASS ASTM B36 NICKEL PLATE SAE AMS QQ-N-290A, DATED JULY 2000, .00254 [0.000100] MIN THICK	134594-3	
78 gms	10.04±0.04 [.395±.002]	3/8 or M10		134594-1	

THIS DRAWING IS A CONTROLLED DOCUMENT.

DWN: JJ DESPRETZ 24 JUN 2004	CHK: G-ROBERT	APVD: Y PETRONIN 24 JUN 2004	NAME: SEALED COPALUM ASSEMBLY
DIMENSIONS: mm [Inches]		TOLERANCES UNLESS OTHERWISE SPECIFIED:	
0 PLC ±0.3		1 PLC ±0.3	
2 PLC ±0.13		3 PLC ±	
4 PLC ±		ANGLES ±5	
FINISH		MATERIAL	
-		-	
-		-	

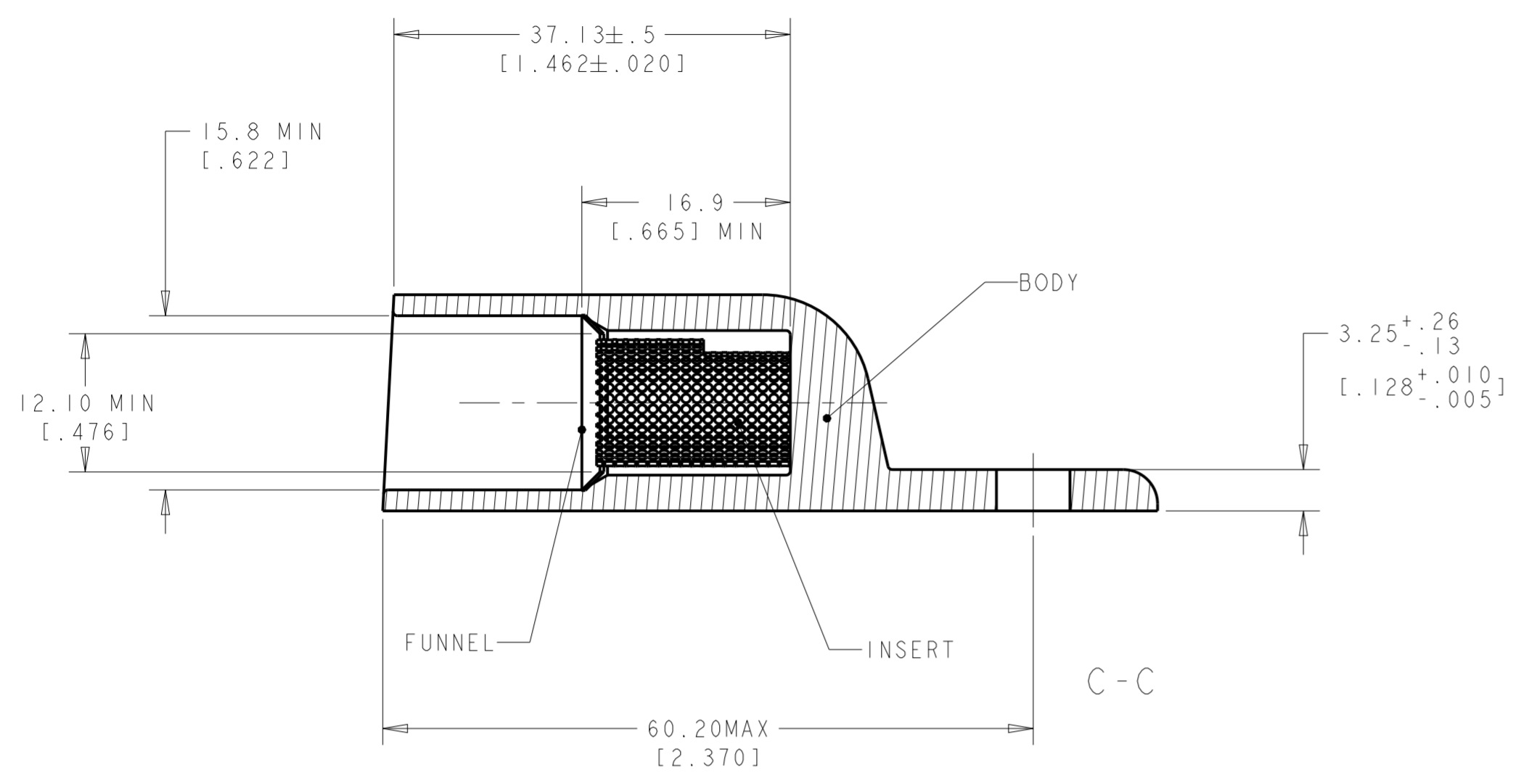
STE TE Connectivity

SIZE: A2 CAGE CODE: - DRAWING NO: 134594 RESTRICTED TO: -

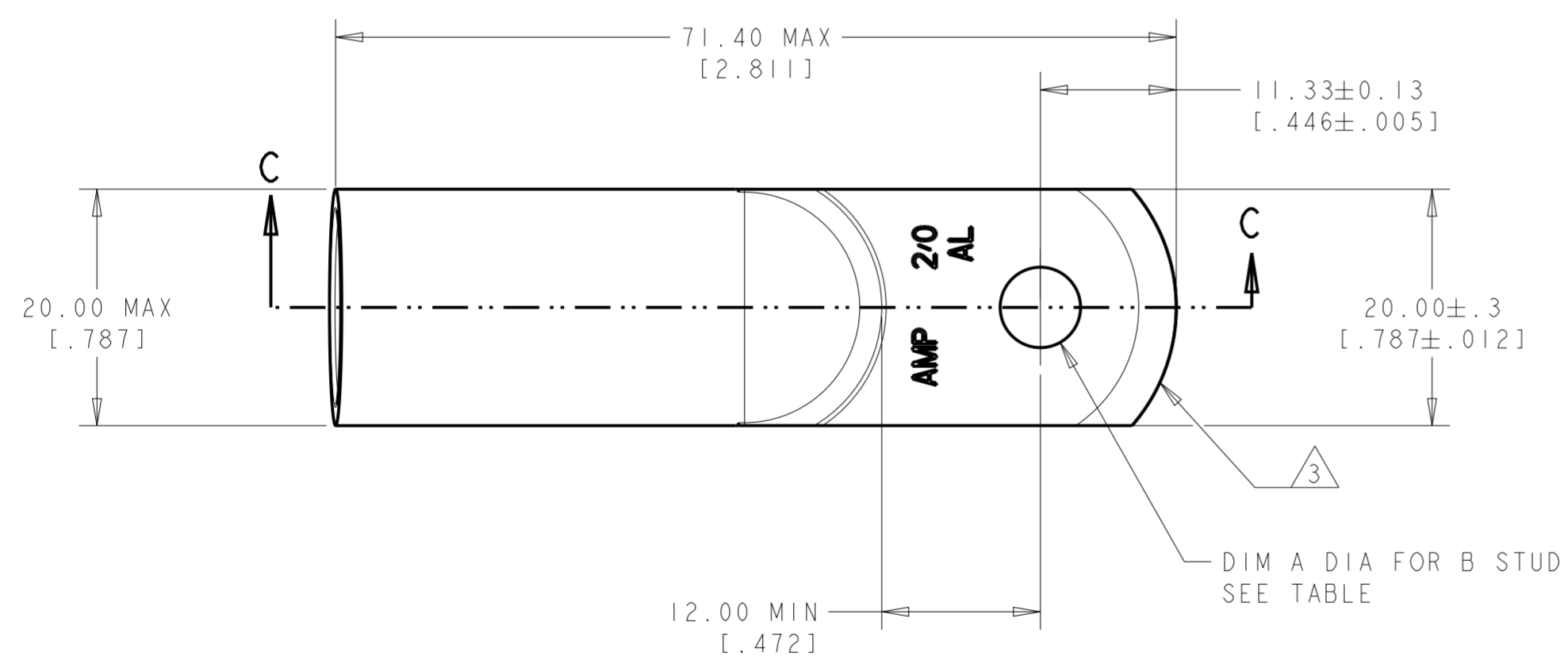
CUSTOMER DRAWING SCALE: 2:1 SHEET 1 OF 4 REV K

THIS DRAWING IS UNPUBLISHED. RELEASED FOR PUBLICATION 20  
 © COPYRIGHT 20 BY - ALL RIGHTS RESERVED.

REVISIONS				
P	LTR	DESCRIPTION	DATE	APVD
-	-	SEE SHEET 1	-	-



1: WIRE INSULATION : 12.7[.500]-14.0[.551]  
 2: WIRE CMA: 119500 to 150500  
 ③; TONGUE RADIUS FEATURE IS NOT A TOOLING CONTROLLED DIMENSION AND MAY NOT BE A TRUE RADIUS



77 grams	8.34 ± 0.04 [.328 ± .002]	5/16 or M8	BODY: COPPER ASTM B187 ANNEALED TIN PLATE .0038[.000150] MIN THICK PER MIL-T-10727	134594-6
78 grams	6.73 ± 0.04 [.265 ± .002]	1/4 or M6	INSERT&FUNNEL: BRASS ASTM B36 NICKEL PLATE SAE AMS QQ-N-290A, DATED JULY 2000, .00254 [.000100] MIN THICK	134594-2
WEIGHT	DIM A	B	MATERIAL&FINISH	PART NUMBER

THIS DRAWING IS A CONTROLLED DOCUMENT.

DWN: JJ DESPRETZ 24 JUN 2004  
 CHK: G-ROBERT  
 APVD: Y PETRONIN 24 JUN 2004

TE Connectivity

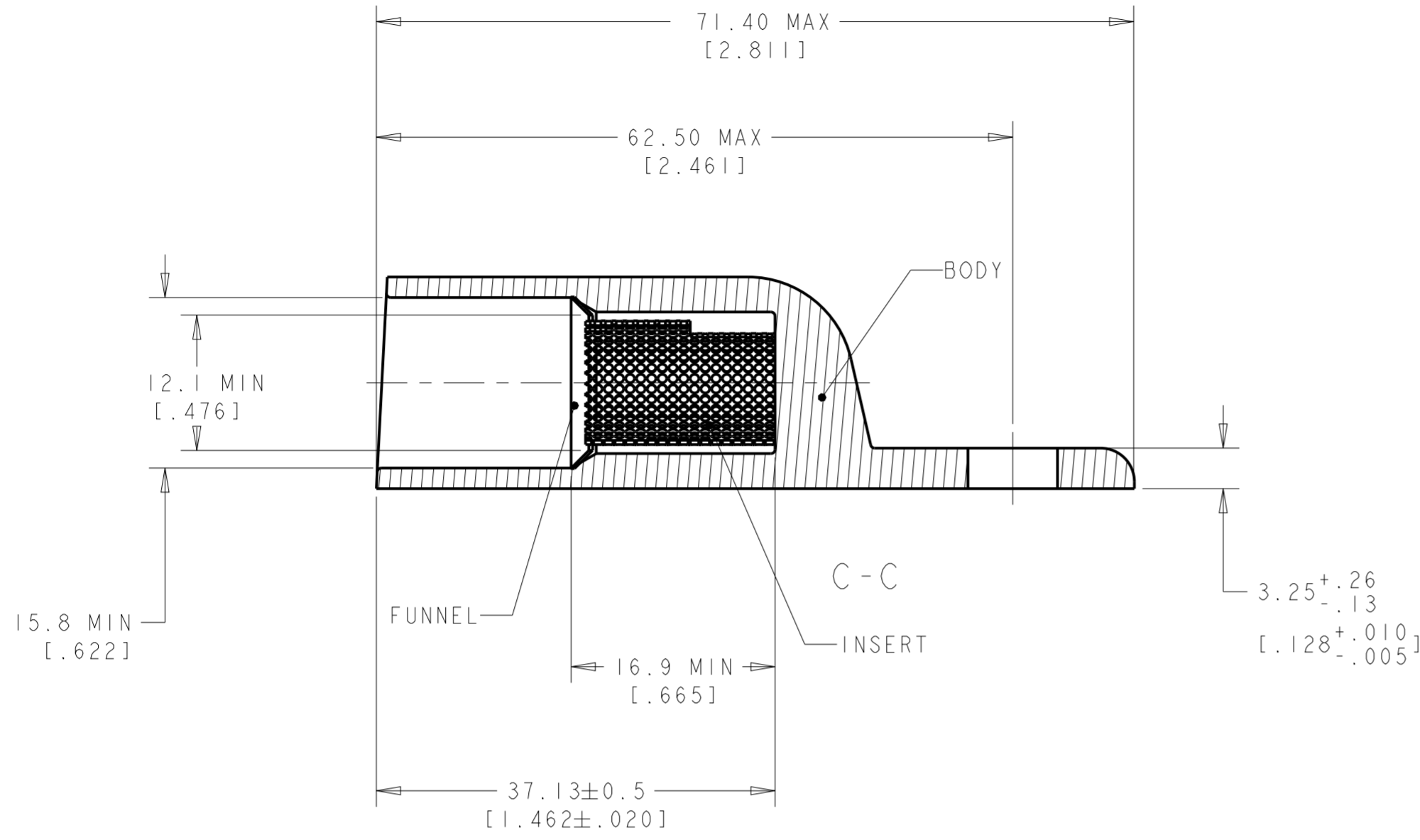
NAME: SEALED COPALUM ASSEMBLY

SIZE: A2 CAGE CODE: - DRAWING NO: 134594 RESTRICTED TO: -  
 SCALE: 2:1 SHEET: 2 OF 4 REV: K

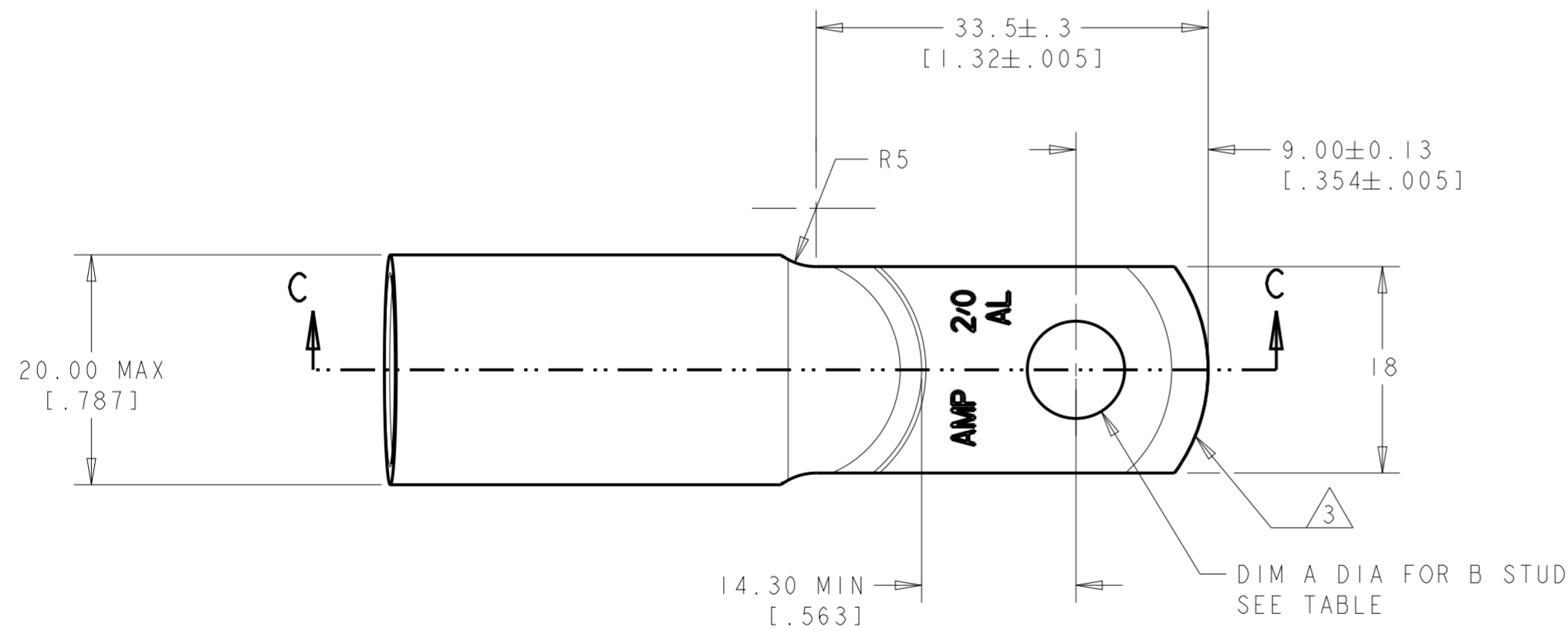
MATERIAL: - FINISH: - WEIGHT: - CUSTOMER DRAWING

THIS DRAWING IS UNPUBLISHED. RELEASED FOR PUBLICATION 20  
 © COPYRIGHT 20 BY - ALL RIGHTS RESERVED.

REVISIONS				
P	LTR	DESCRIPTION	DATE	APVD
-		SEE SHEET 1	-	-



1: WIRE INSULATION : 12.7[.500]-14.0[.551]  
 2: WIRE CMA: 119500 to 150500  
 3: TONGUE RADIUS FEATURE IS NOT A TOOLING CONTROLLED DIMENSION AND MAY NOT BE A TRUE RADIUS



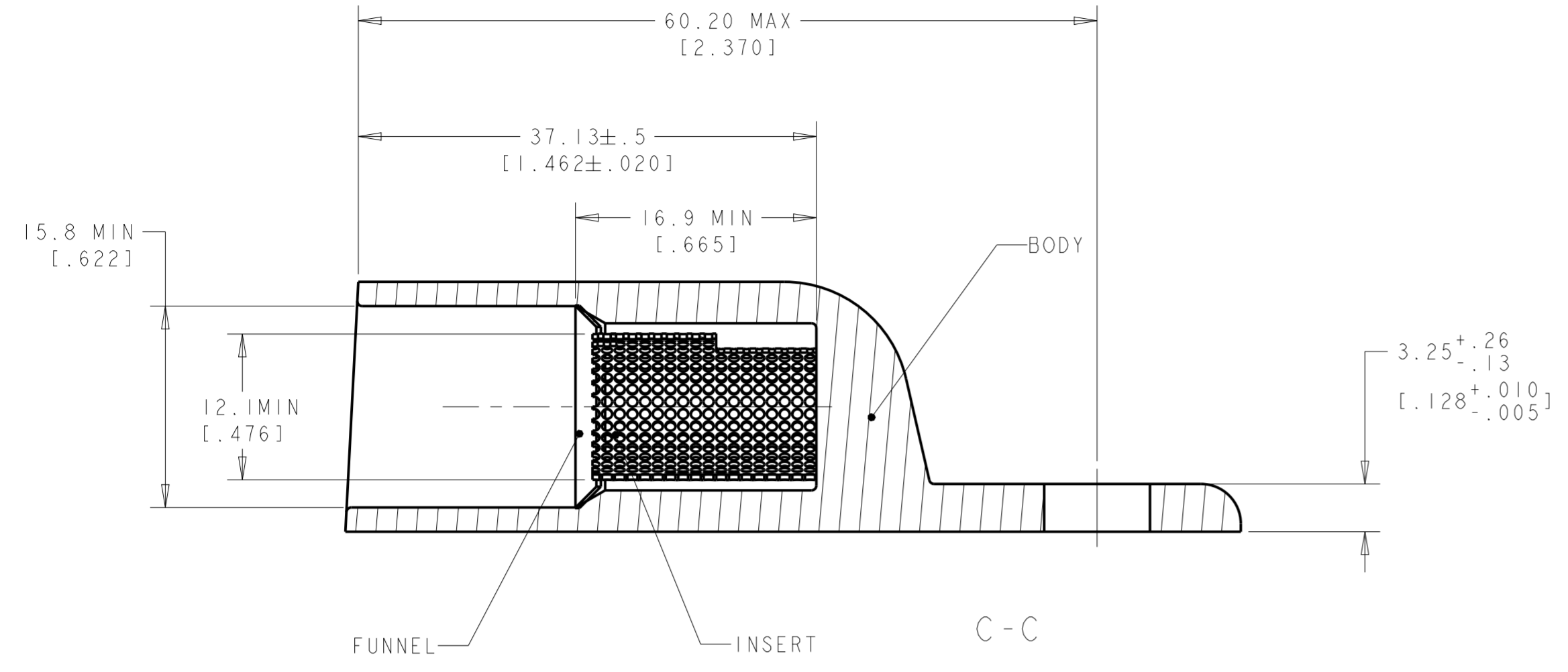
77 grams	8.34 ± 0.04 [.328 ± .002]	5/6 or M8	BODY: COPPER ASTM B187 ANNEALED TIN PLATE .00381 [.000150] MIN THICK PER MIL-T-10727 INSERT&FUNNEL: BRASS ASTM B36 NICKEL PLATE SAE AMS QQ-N-290A, DATED JULY 2000, .00254 [.000100] MIN THICK	134594-5
WEIGHT	DIM A	B	MATERIAL&FINISH	PART NUMBER

THIS DRAWING IS A CONTROLLED DOCUMENT.

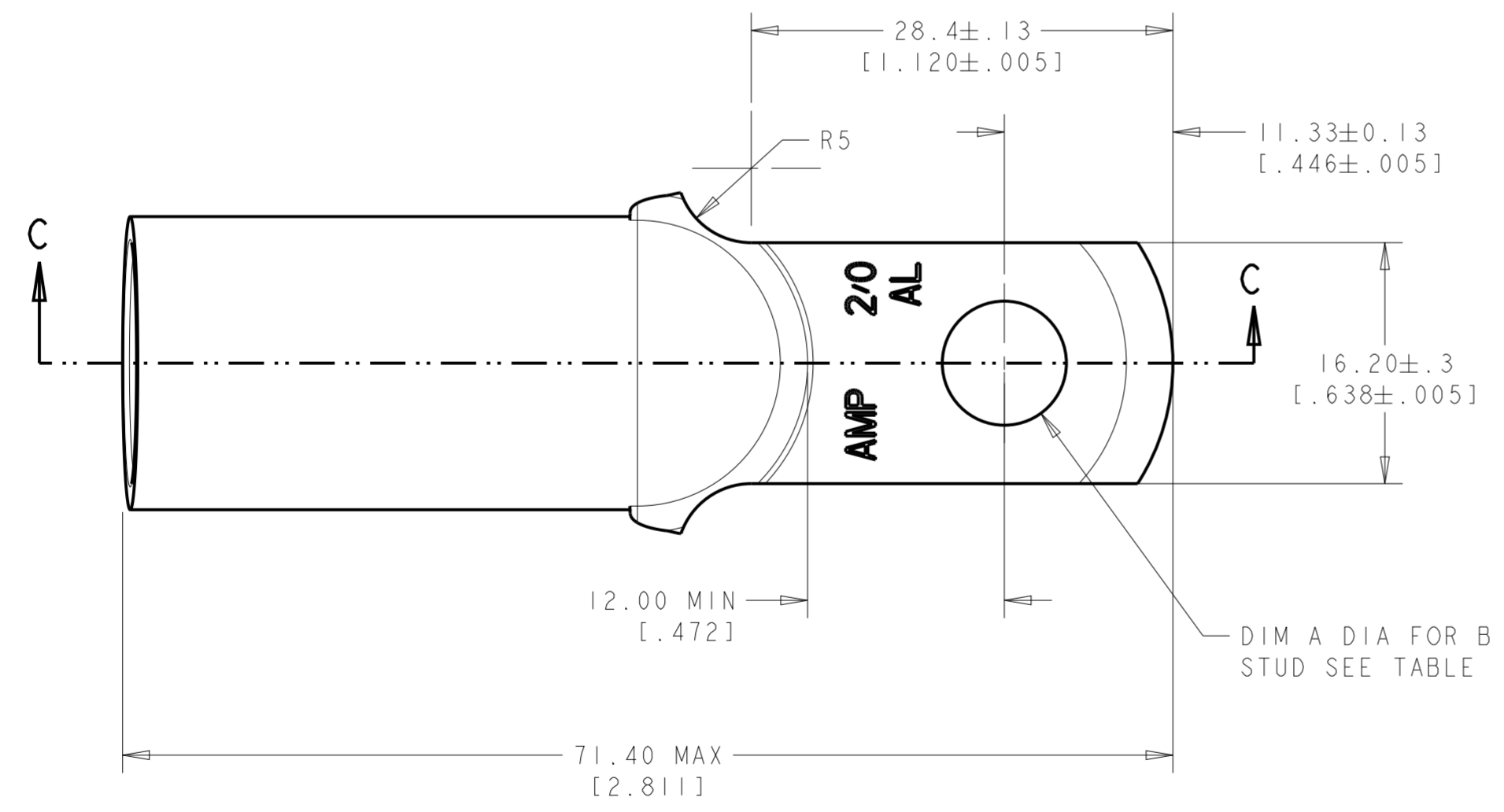
DIMENSIONS: mm [Inches]	TOLERANCES UNLESS OTHERWISE SPECIFIED: 0 PLC ±0.3 1 PLC ±0.3 2 PLC ±0.13 3 PLC ± 4 PLC ± ANGLES ±5 FINISH -	DWN 24 JUN 2004 JJ. DESPRETZ CHK G-ROBERT APVD 24 JUN 2004 Y. PETRONIN	NAME STE TE Connectivity SEALED COPALUM ASSEMBLY
MATERIAL -	PRODUCT SPEC -	APPLICATION SPEC -	SIZE A2
	WEIGHT -	CUSTOMER DRAWING	SCALE 2:1 SHEET 3 OF 4 REV K

THIS DRAWING IS UNPUBLISHED. RELEASED FOR PUBLICATION 20  
 © COPYRIGHT 20 BY - ALL RIGHTS RESERVED.

REVISIONS				
P	LTR	DESCRIPTION	DATE	APVD
-	-	SEE SHEET 1	-	-



- 1: WIRE INSULATION : 12.7 [ .500 ] - 14.0 [ .551 ]
- 2: WIRE CMA: 119500 to 150500
- 3: TONGUE RADIUS FEATURE IS NOT A TOOLING CONTROLLED DIMENSION AND MAY NOT BE A TRUE RADIUS



76 grams	8.34 ± 0.04 [.328 ± .002]	5/6 or M8	BODY: COPPER ASTM B187 ANNEALED TIN PLATE .00381 [.000150] MIN THICK PER MIL-T-10727 INSERT & FUNNEL: BRASS ASTM B36 NICKEL PLATE SAE AMS QQ-N-290A, DATED JULY 2000, .00254 [.000100] MIN THICK	134594-7
WEIGHT	DIM A	B	MATERIAL & FINISH	PART NUMBER

THIS DRAWING IS A CONTROLLED DOCUMENT.		DWN 24 JUN 2004 JJ. DESPRETZ	TE Connectivity	
DIMENSIONS: mm [Inches]		CHK G-ROBERT		
TOLERANCES UNLESS OTHERWISE SPECIFIED:		APVD 24 JUN 2004 Y. PETRONIN	PRODUCT SPEC -	SIZE A2
0 PLC ±0.3		APPLICATION SPEC -	CAGE CODE -	DRAWING NO. C-134594
1 PLC ±0.3		WEIGHT -	RESTRICTED TO -	SCALE 2:1
2 PLC ±0.13		CUSTOMER DRAWING	SCALE 2:1	SHEET 4 OF 4
3 PLC ±				REV K
4 PLC ±				
ANGLES ±5				
FINISH -				