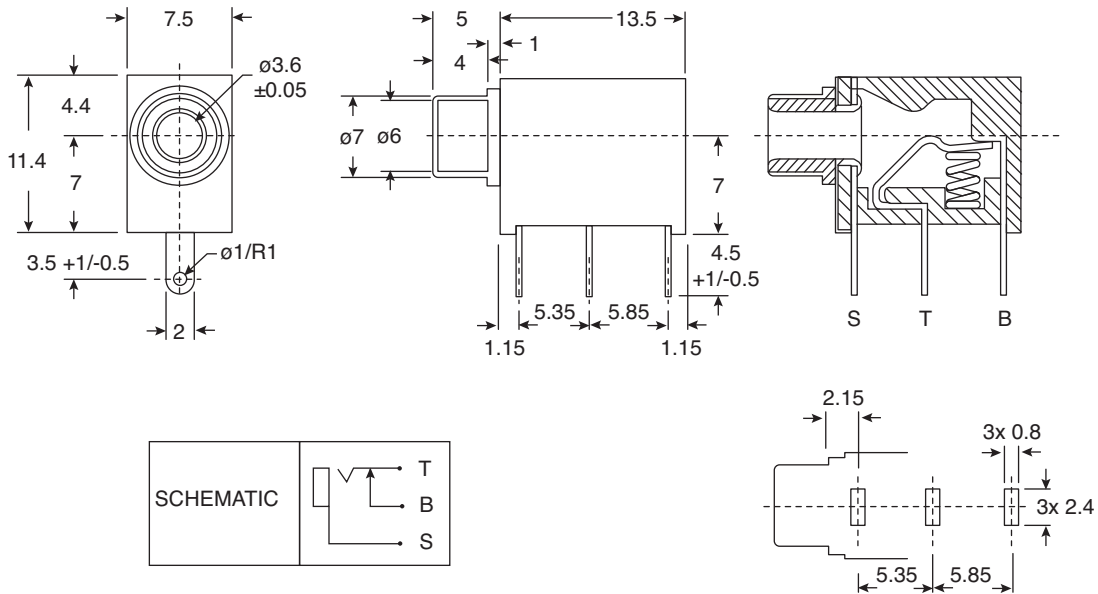


# Mono Phone Jack 3.5mm



161-352N-EX

Mono Phone Jack 3.5mm



Dimensions: mm.

ELECTRICAL SPECIFICATIONS	
Contact Resistance:	20m $\Omega$ max.
Insulation Resistance:	100M $\Omega$ @ DC 250V
Dielectric Withstand Voltage:	AC 250V for one min.
Life Cycle:	10,000 cycles min.
RoHS Compliant by exemption	

Date Last Revised: 10-3-08

Available from Mouser Electronics  
1-800-346-6873 / [www.mouser.com](http://www.mouser.com)

KC-301284

161-352N-EX