

REVISIONS					
P	LTR	DESCRIPTION	DATE	DMN	APVD
A4		REVISED PER ECR-17-009545	14JUL2017	AS	RS

- ⚠ CABLE USED WITHOUT SPACER
- ⚠ CABLE USED WITH SPACER
- 3. SEE INSTRUCTION SHEET 408-9021
- 4. PARTS PACKAGED UNASSEMBLED
- ⚠ USE WITH PRO-CRIMPER 354940-1.
- ⚠ SPECIAL PACKAGING: INDIVIDUALLY PACKAGED IN PRE-PRINTED BAG WITH SPECIAL GRAPHICS
- ⚠ BULK KIT PACKAGING 25 PIECES
- ⚠ BULK KIT PACKAGING 100 PIECES
- ⚠ OBSOLETE PARTS: OBSOLETE CIS STREAMLINING PER D.RENAUD/D.SINISI

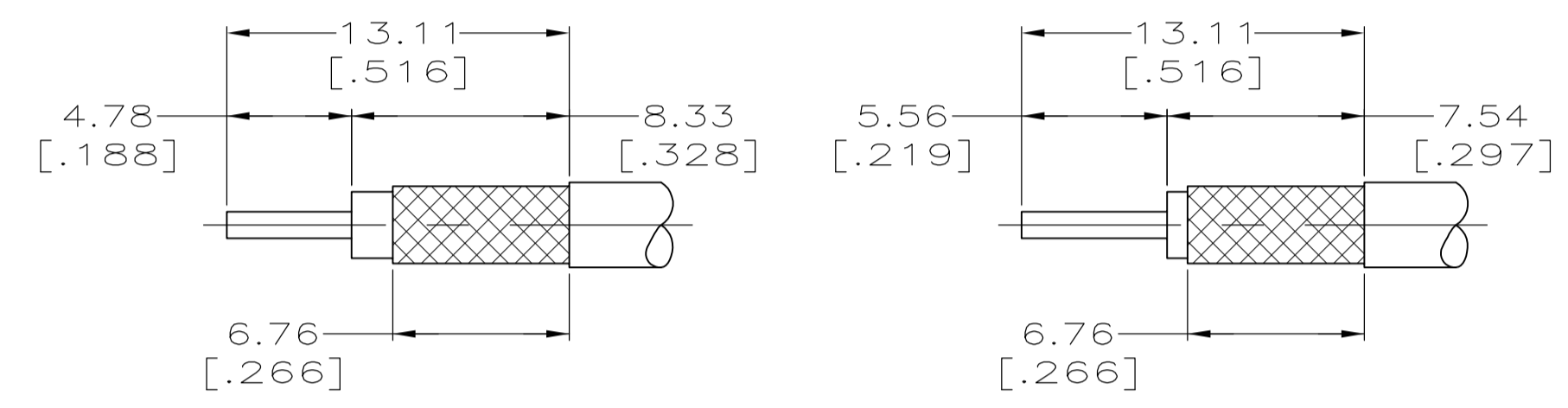
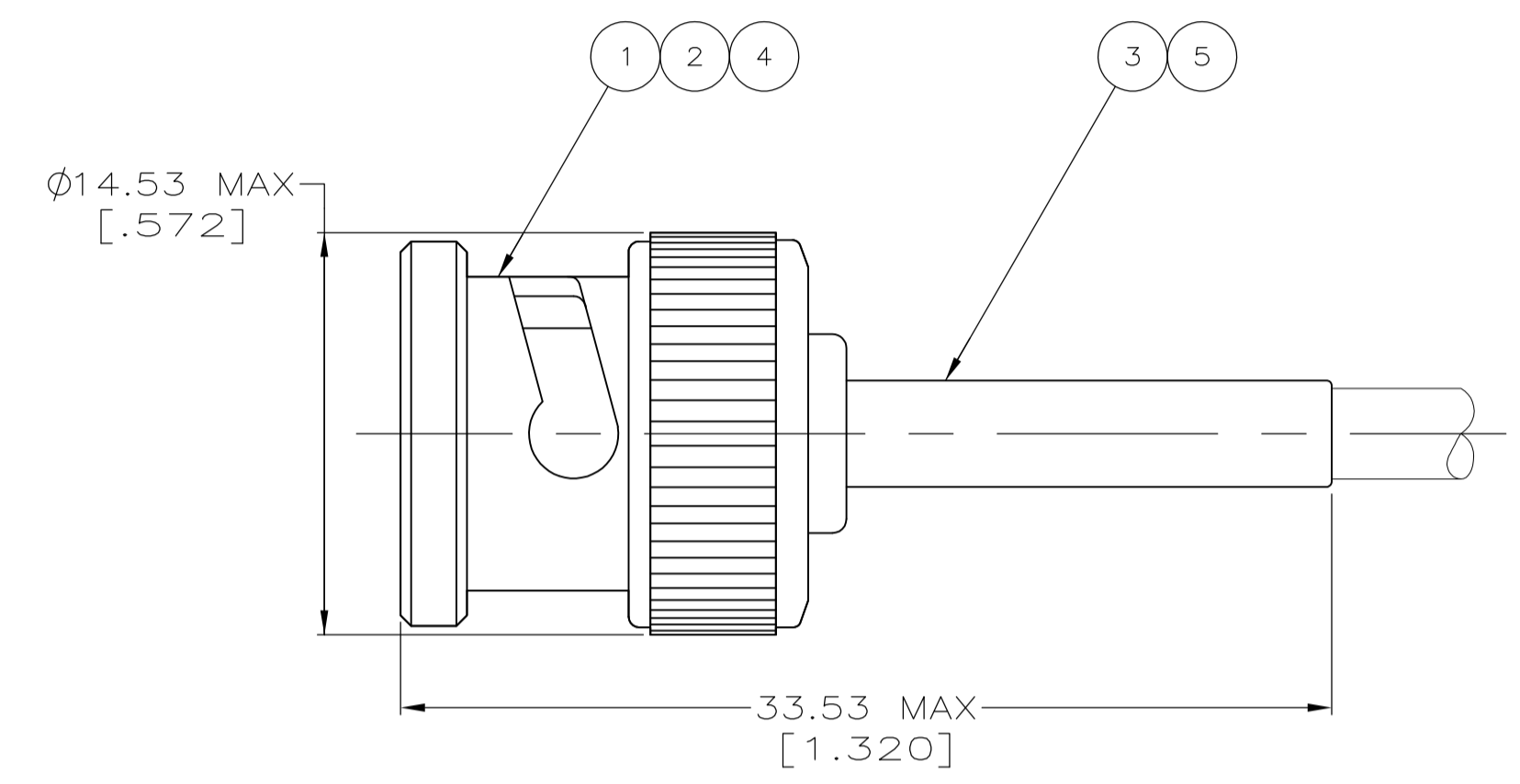


FIGURE 1  
FIGURE 2  
RECOMMENDED STRIP LENGTH

	JIS CABLE 3D-2V	⚠	5.41 [.213]	1.73 [.068]	58436-1	FIG 1	-	-	8-221132-9	1-222246-6	9-413636-3	3-5221128-1
	BELDEN 9907, 89907 & RG-141/U	⚠	5.41 [.213]	1.73 [.068]	58436-1	FIG 1	-	-	9-221132-0	1-222246-6	9-413636-0	2-5221128-7
	RG-179/U, 187/U	⚠	4.52 [.178]	1.73 [.068]	58436-3	FIG 1	227194-1	-	9-413658-0	1-222246-3	9-413636-2	2-5221128-3
	RG-174/U, 188/U, 316/U	⚠	4.52 [.178]	1.73 [.068]	58436-3	FIG 1	227194-1	-	9-413658-0	1-222246-0	9-413636-2	2-5221128-1
⚠ OBSOLETE	RG-59/U, 59A/U, 59B/U	⚠	6.48 [.255]	1.73 [.068]	58436-1	FIG 1	-	227423-1	9-221132-1	222246-6	9-413636-1	4-5221128-8
	BELDEN 9266	⚠	6.48 [.255]	1.73 [.068]	58436-1	FIG 1	-	-	9-221132-1	222246-2	9-413636-1	1-5221128-7
⚠	RG-62/U, 62A/U, 62B/U	⚠	6.48 [.255]	1.73 [.068]	58436-1	FIG 2	-	227423-1	9-221132-1	222246-4	9-413636-1	1-5221128-1
⚠	RG-59/U, 59A/U, 59B/U	⚠	6.48 [.255]	1.73 [.068]		FIG 1	-	-	-	-	-	-
	RG-58/U, 58A/U, 58B/U, 58C/U	⚠	5.41 [.213]	1.73 [.068]	58436-1	FIG 1	-	-	9-221132-0	222246-2	9-413636-0	1-5221128-0
⚠ OBSOLETE	RG-62/U, 62A/U, 62B/U	⚠	6.48 [.255]	1.73 [.068]	58436-1	FIG 2	-	227423-1	9-221132-1	222246-4	9-413636-1	5-5221128-2
⚠ OBSOLETE	RG-59/U, 59A/U, 59B/U	⚠	6.48 [.255]	1.73 [.068]		FIG 1	-	-	-	-	-	-
	RG-58/U, 58A/U, 58B/U, 58C/U	⚠	5.41 [.213]	1.73 [.068]	58436-1	FIG 1	-	-	9-221132-0	222246-2	9-413636-0	5221128-1
	FOR USE WITH CABLE	PACKAGING	FERRULE	CONTACT	DIE SET	STRIP LENGTH	TUBING	SPACER	FERRULE	CONTACT, PLUG	PLUG ASSEMBLY	PART NUMBER
			HEX CRIMP HEIGHTS		⚠	Ⓢ	QTY=1	Ⓞ	QTY=1	Ⓢ	QTY=1	Ⓢ

THIS DRAWING IS A CONTROLLED DOCUMENT.

DIMENSIONS: mm [INCHES]	TOLERANCES UNLESS OTHERWISE SPECIFIED:	DIN J. ALCORTA - 21APR2005	DOCK 5	TE Connectivity
0 PLC ± -	1 PLC ± -	J. HAVENER	21APR2005	
2 PLC ± 0.41 [016]	3 PLC ± -	J. LIPPERT		
4 PLC ± -	ANGLES ± -			
MATERIAL	FINISH	WEIGHT	0.000000	RESTRICTED TO
		SIZE	A1	
		CAGE CODE	00779	
		DRAWING NO	5221128	
		SCALE	4:1	
		SHEET	1 OF 1	
		REV	A4	

CUSTOMER DRAWING