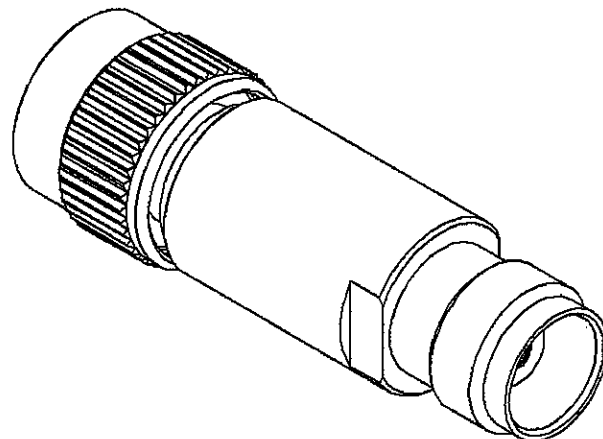
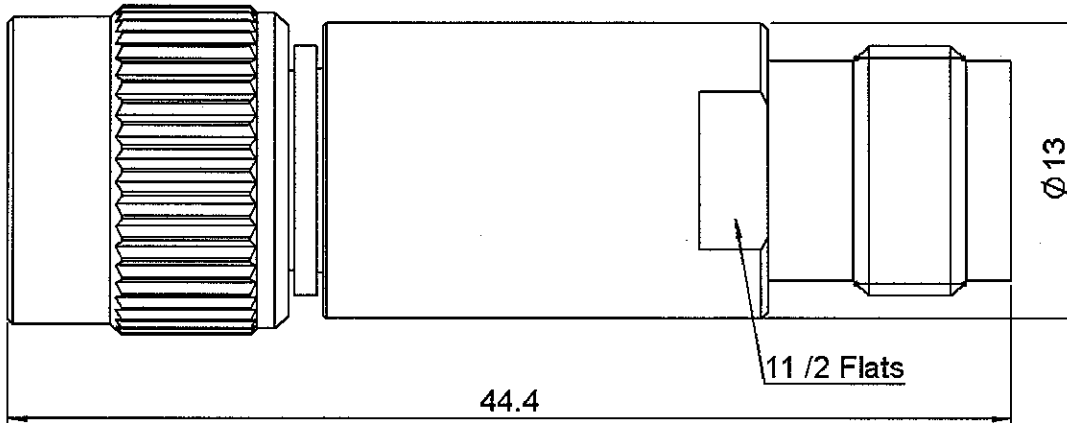


TNC ATTENUATOR
11 DB 2 GHZ 2W

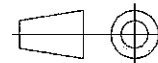
R412.511.000
Series : ATTENUATOR

ORIGINAL



SCALE 1/1

All dimensions are in mm.



| COMPONENTS | MATERIALS | PLATING(µm) |
|-----------------------|------------------|----------------------------|
| BODY | BRASS | NICKEL 5 |
| MALE CENTER CONTACT | BERYLLIUM COPPER | GOLD 2.5 OVER NICKEL 1 |
| FEMALE CENTER CONTACT | BERYLLIUM COPPER | GOLD 2.54 OVER NICKEL 1.27 |
| OUTER CONTACT | | |
| INSULATOR | PTFE | |
| GASKET | SILICONE RUBBER | |
| SUBSTRATE | ALUMINA | |
| RESISTOR | THIN FILM | |
| OTHERS PARTS | | |

Issue : 0835 B

In the effort to improve our products, we reserve the right to make changes judged to be necessary.

RADIAL

TNC ATTENUATOR

11 DB 2 GHZ 2W

R412.511.000

Series : ATTENUATOR

ORIGINAL

ELECTRICAL CHARACTERISTICS

| | |
|-----------------|--------|
| Frequency (GHz) | DC - 2 |
| V.S.W.R (≤) | 1.15 |
| Deviation(±dB) | 0.35 |

| | | |
|------------------------------|--------|-----------------------|
| Operating Frequency Range | DC - 2 | GHz |
| Impedance | 50 | Ω |
| Nominal Attenuation | 11 | dB |
| Peak power at 25°C (1μs, 1‰) | 100 | W |
| Average power at 25°C | 2 | W (Free Air Cooled) |
| | | W (Conduction Cooled) |

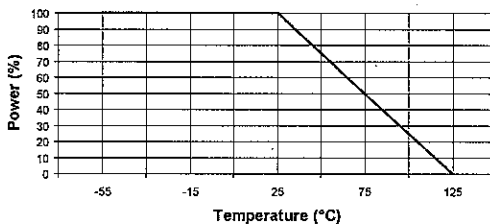
MECHANICAL CHARACTERISTICS

| | | | |
|------------|-----------|-------------|-------------|
| Connectors | TNC | Male Female | MIL-C 39012 |
| Weight | 31,8150 g | | |

ENVIRONMENTAL CHARACTERISTICS

| | |
|-----------------------------|--------------|
| Operating temperature range | -55 /+125 °C |
| Storage temperature range | -55 /+125 °C |

Power derating Versus temperature



SPECIFICATION

OTHER CHARACTERISTICS

Issue : 0835 B

In the effort to improve our products, we reserve the right to make changes judged to be necessary.

