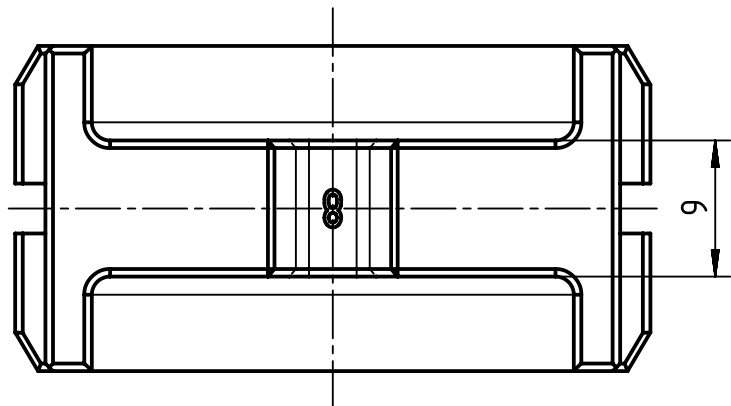
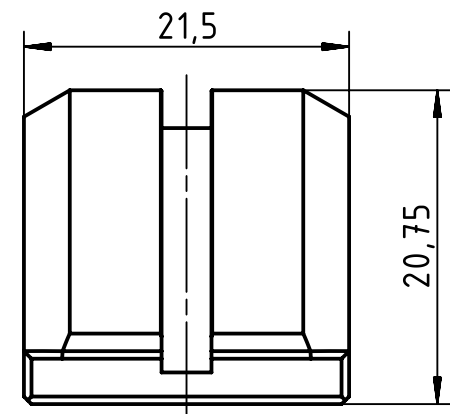


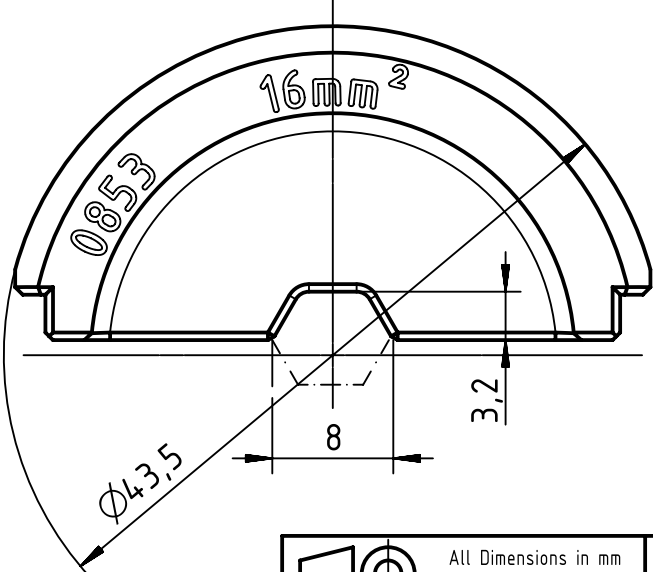
A



B

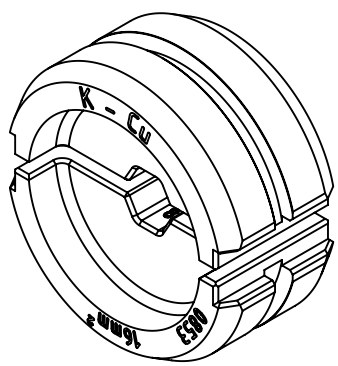


C



Scope of delivery 2 crimp dies

D



	All Dimensions in mm Original Size DIN A4		Scale 2:1	Free size tol.		Ref.		
						Sub.		
	All rights reserved		Created by HOLLERT	Inspected by RIEPE	Standardisation RUETERA	Date 2017-05-15	State Final Release	
	Department EL PD - DE		Title Crimp die 16mm <sup>2</sup> for 60 kN tool				Doc-Key / ECM-Nr. 100572320/UGD/002/C 500000119344	
HARTING Electric GmbH & Co. KG D-32339 Espelkamp			Type TB	Number 09 99 000 0853			Rev. C	Page 1/1

# Mouser Electronics

Authorized Distributor

Click to View Pricing, Inventory, Delivery & Lifecycle Information:

[HARTING:](#)

[09990000853](#)