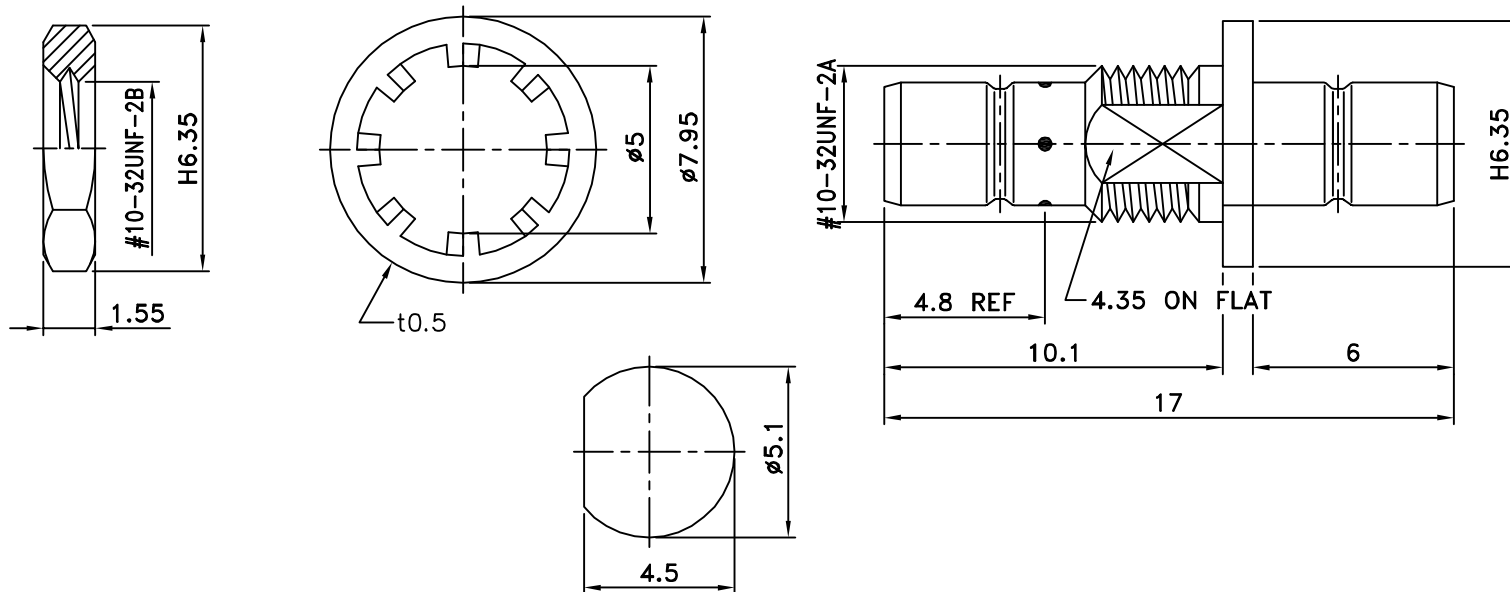


REV	DESCRIPTION\PER REQUEST	DRAWN	DATE



RECOMMENDED
MOUNTING HOLE

5	Nut	1	Brass	Nickel	PART NO. 1032A10505 APPROVED _____ DATE 10/26/12 CHECKED _____ DATE 10/26/12 DRAWN Wen DATE 10/26/12	* MAJOR DIMENSION UNLESS OTHERWISE NOTED TOLERANCES 0.5-6=±0.2 6-30=±0.4 30-120=±0.6 120-315=±1.0 ANGLES=±1°	Bomar Interconnect Products, Inc	
4	Washer	1	Brass	Nickel			TITLE SMB BULKHEAD JACK TO JACK ADAPTER	
3	Dielectric	1	Teflon	None			DRAWING NO. ASSMB-18062-TGN	
2	Pin	1	Brass	Gold			REV A	
1	Body	1	Brass	Nickel			FILE NO. W:\AS\ASSMB\ASSMB-18062-TGN Bomar->20121105	
NO	Description	Q'ty	Material	Finish				