

1

2

3

4

A

B

C

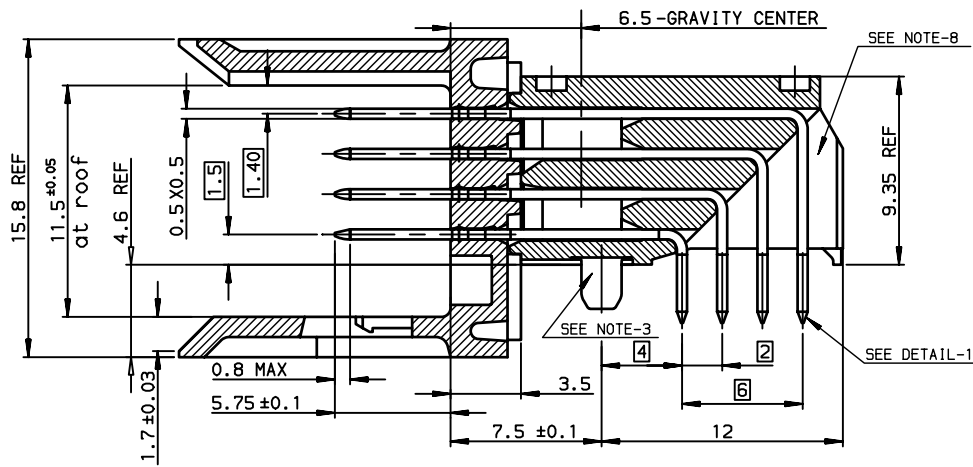
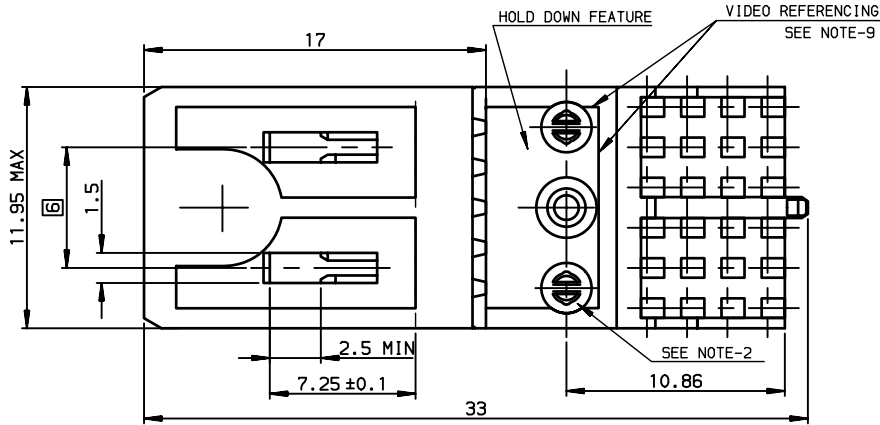
D

A

B

C

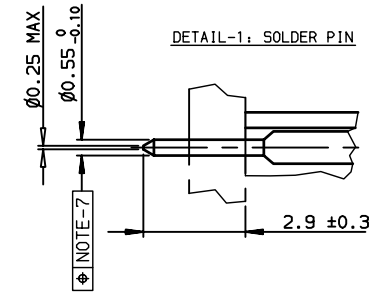
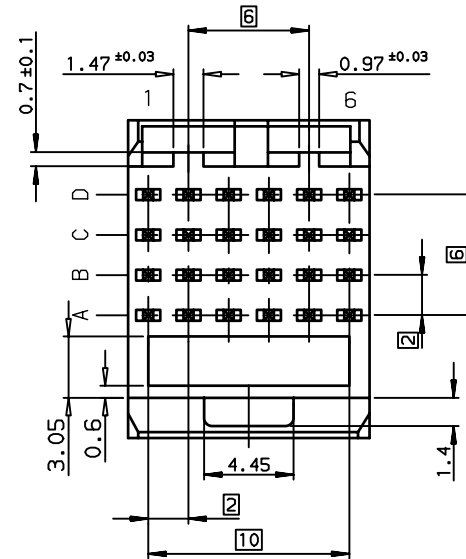
D



LEAD FREE VERSION

Part Number: HM1L41LFP000H6PLF

-PACKAGING IS TRAY FOR THE 2 P/N



NORMINATIVE REF = IEC-61076-4-104 CLASS 1

NOTE-2: SPRING PEGS WITH LOW INSERTION FORCE ≤ 20 N PER MODULE
RETENTION FORCE ≥ 10 N PER MODULE

NOTE-3: ONE CENTER PEG FOR LOCATING AND HOLD DOWN FORCES

NOTE-4: USE EXISTING CABLE TO BOARD CODING KEYS

NOTE-5: PRODUCT MARKING = PRODUCT NUMBER + BATCH CODE + FCI

NOTE-7: TRUE POS CONTROL WITH GRID GAUGE Ø 0.65 + WEIGHT 10 N

TRUE POS TOLERANCES ACCORDING TO MOUNTING RANGE = ± 0.35 (X AND Y)

NOTE-8: CENTRAL WALL WITH END REAR SUPPORT

NOTE-9: VIDEO REFERENCING ON LISIBLE+ACCURATE SHARP PLASTIC EDGES

NOTE-10: IF SUFFIX "P" IS ADDED IN P/N PACKAGING IS IN TRAYS
BUT CONNECTOR MARKING IS WITHOUT "P"
EXAMPLE: HM1XXXXXXXXH6P, MARKED HM1XXXXXXXXXH6

GENERAL CHARACTERISTICS AND ROHS INFORMATIONS:

SEE PRODUCT SPECIFICATION GS-12-446

OTHERS INFORMATIONS, SEE DRW C-8626-11243-2

European Views

rev	ecn no	dr	date
A	-	BAR	2004/03/19
B	LS07-0184	MLE	2007/07/27
-	-	-	-
-	-	-	-
-	-	-	-
-	-	-	-

www.fciconnect.com		surface ISO 1302 ✓	tolerance std ISO 406 ISO 1101	projection 	mm
TOLERANCES UNLESS OTHERWISE SPECIFIED					
Dr	BART	24/08/24	ANGULAR	0.X ± 0.1	size A3 Scale 4:1
Eng	LENOIR	2004/03/19	LINEAR	0.XX ± 0.1	
Chr	LEGARE	2004/03/19	0.XX ± 2'	0.XXX ± 0.1	ECN LS07-0184
Appr	LEGARE	2004/03/19	Product family	METRAL	Spec ref -
	title METRAL HDR RA WB CONVERG.			dwg no C-8626-11243	Rev. B
	catalog no			CUSTOMER	sheet 1 of 2

REV F - 2006-04-17

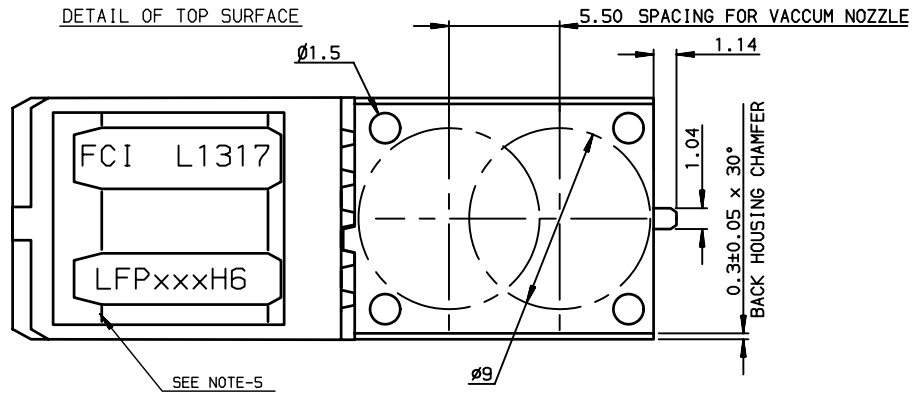
1

2

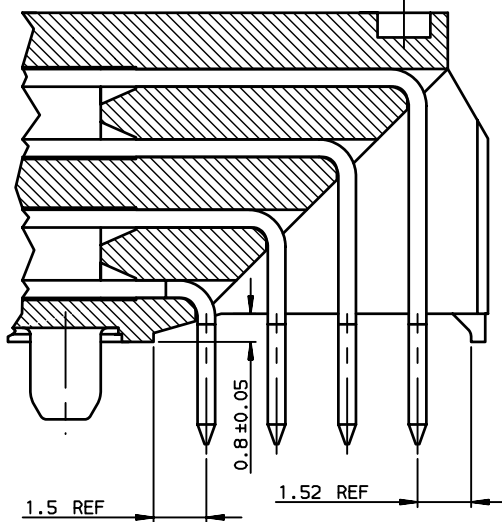
3

4

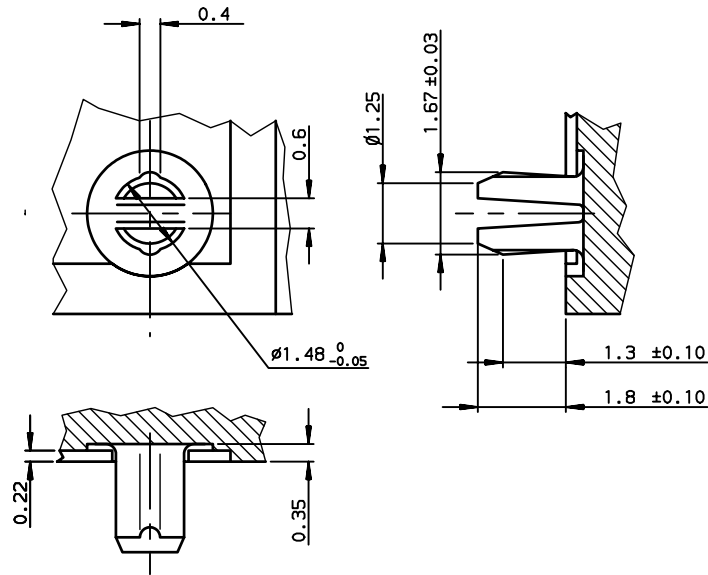
DETAIL OF TOP SURFACE



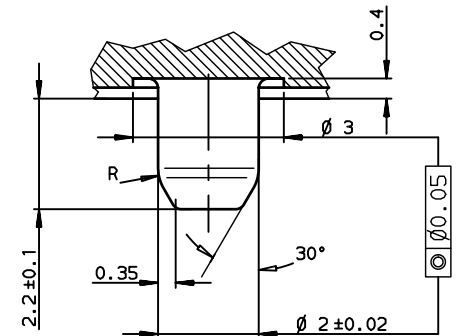
DETAIL OF STAND-OFF SCALE-7/1



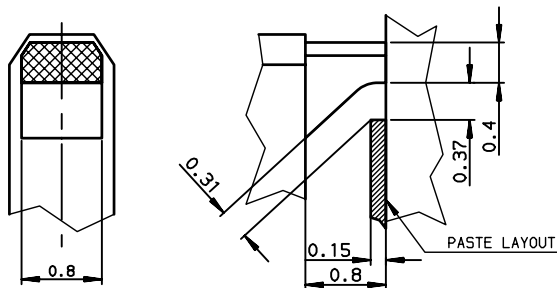
DETAIL OF RETENTION PEGS (2x) SCALE 10/1



DETAIL OF CENTRAL PEG SCALE 10/1



DETAIL OF REAR SUPPORT SCALE-20/1



OTHERS INFORMATIONS, SEE DRW C-8626-11243-1

European Views

www.fciconnect.com		surface ISO 1302 ✓	tolerance std ISO 406 ISO 1101	projection mm
TOLERANCES UNLESS OTHERWISE SPECIFIED				
Dr	BART	24/08/24	0.X ±0.1	size A3
Eng	LENOIR	2004/03/19	0.XX ±0.1	
Chr	LEGARE	2004/03/19	0.XXX ±0.1	
Appr	LEGARE	2004/03/19	Product family METRAL	Spec ref -
		METRAL HDR RA WB CONVERG. 4x6 CTS - PIP - WITHOUT HDF		dwg no C-8626-11243
rev ecn no dr date A - BAR 2004/03/19 B LS07-0184 MLE 2007/07/27 - - - - - - - - - - - - - - - -		catalog no -		Rev. B
		CUSTOMER		sheet 2 of 2

REV F - 2006-04-17