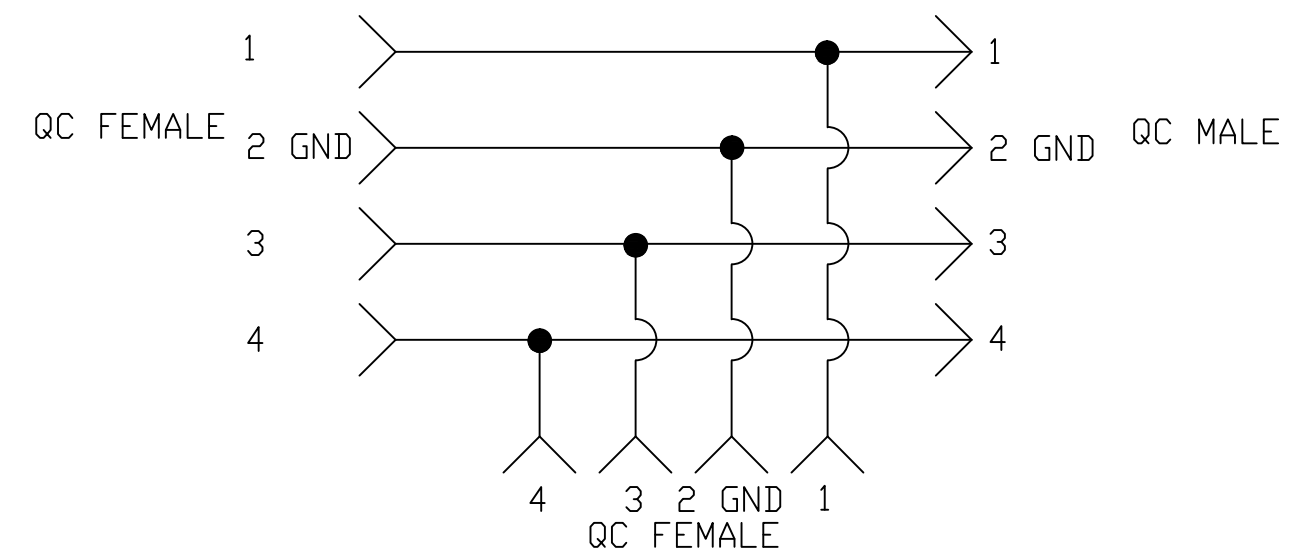
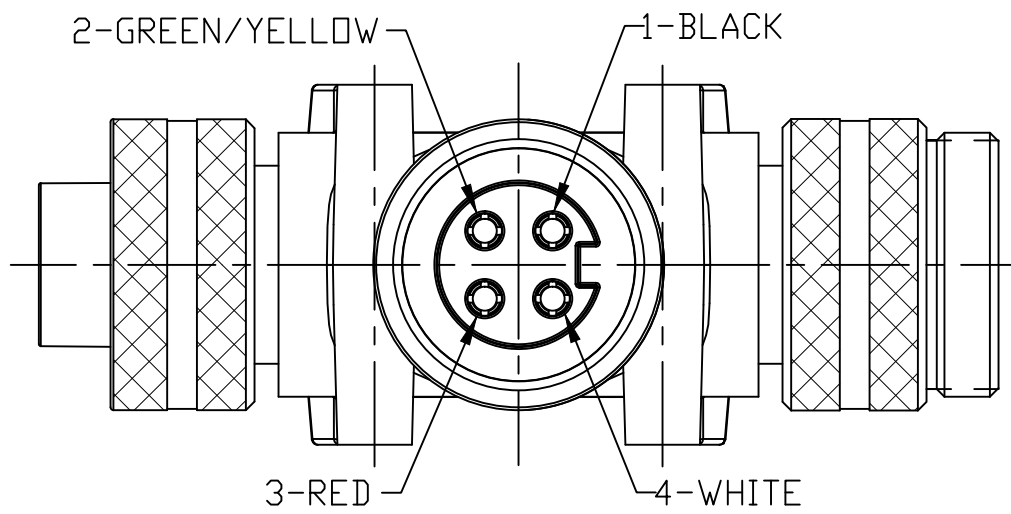
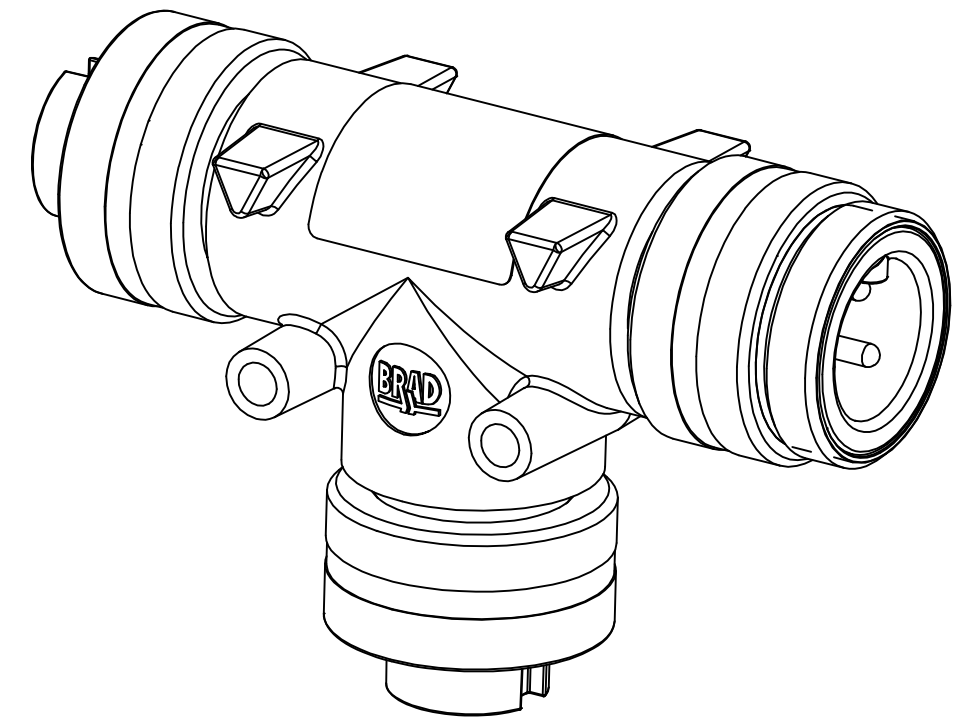
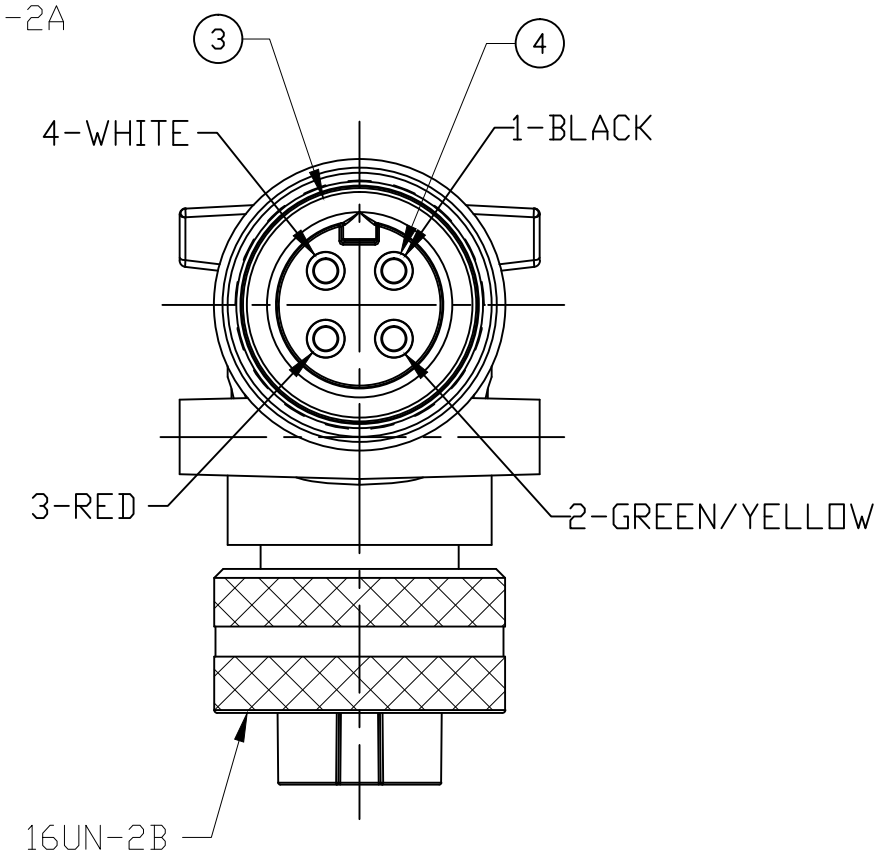
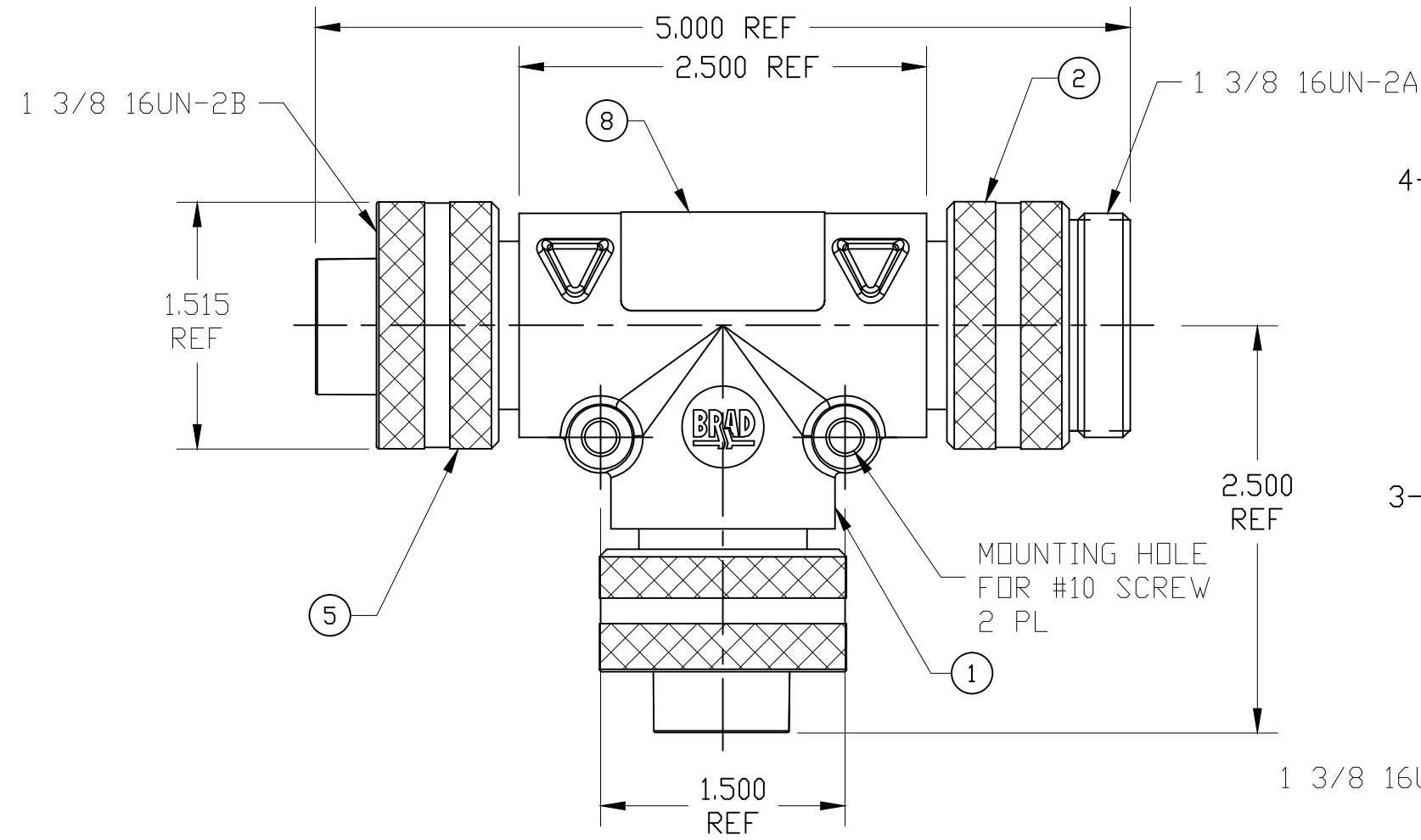
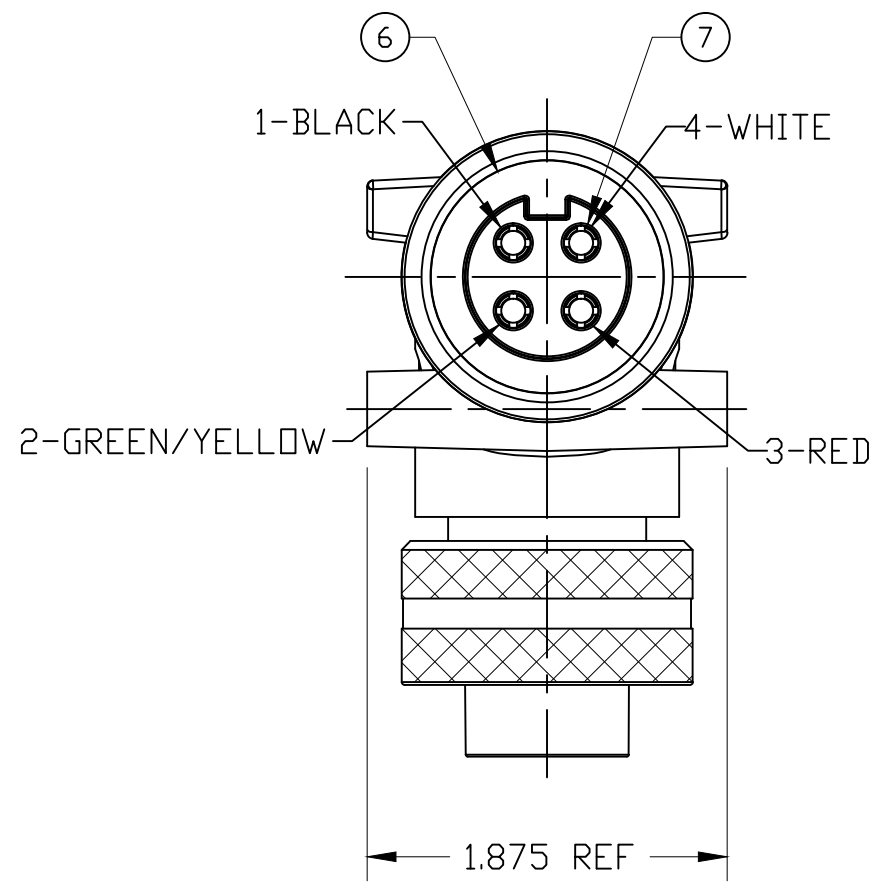


PART NUMBER	ENGINEERING NUMBER
1300680079	TC40C40-200



- NOTE:
- LABEL IS MARKED WITH P/N, DATE CODE, VOLTAGE & AMPERAGE
 - ELECTRICAL DATA:
TEE QC TO QC
POLES: 4
MAX. VOLTAGE: 600V AC/DC
MAX. THRU CURRENT: 32A
MAX. DROP CURRENT: 32A
PROTECTION: IP67
TEMPERATURE RANGE: -20°C TO 90°C
 - PACKAGING:
ASSEMBLIES ARE BAGGED SEPERATELY IN POLY BAGS WITH BAR CODE LABEL ATTACHED TO THE OUTSIDE OF THE BAG.
 - ASSEMBLY IS RoHS COMPLIANT
 - CERTIFICATION:
UL LISTED/CSA CERTIFIED , FILE E258922

ITEM	QTY	DESCRIPTION	MATERIAL	FINISH
8	1	LABEL	PLASTIC FILM	BLACK/YELLOW
7	8	QC SOCKET CONTACT	COPPER ALLOY	GOLD PLATED
6	2	QC FEMALE INSERT	PVC	BLACK
5	2	QC FEMALE COUPLING NUT	ALUMINUM	CLEAR ANODIZE
4	4	QC PIN CONTACT	COPPER ALLOY	GOLD PLATED
3	1	QC MALE INSERT	PVC	BLACK
2	1	QC MALE COUPLING NUT	ALUMINUM	CLEAR ANODIZE
1	1	OVERMOLD	PVC	GRAY

REVISED NOTES EC NO: IFC2015-1959 DRWN: GGUSTAFS 2015/05/13 CH'KD: BARDEN 2015/06/30 APPR: BWOODMAN2010/01/15 DESCRIPTION REV	QUALITY SYMBOL	GENERAL TOLERANCES (UNLESS SPECIFIED)		DIMENSION STYLE IN/MM		SCALE 1:1	DESIGN UNITS INCH	THIRD ANGLE PROJECTION		
	▽=0	4 PLACES	mm ±---	INCH ±---	DRAWN BY KJOZWIK	DATE 2010/01/14	BRAD POWER QC 4 POLE TEE W/4 POLE QC DROP MOLEX INCORPORATED			
	∇=0	3 PLACES	±---	±.005	CHECKED BY BWOODMAN	DATE 2010/01/14				
		2 PLACES	±0.13	±.010	APPROVED BY JFMURPHY		DATE 2010/01/15	MOLEX INCORPORATED DOCUMENT NO. SD-130068-010		
		1 PLACE	±0.25	±.020	MATERIAL NO. SEE TABLE		SHEET NO. 1 OF 1			
	ANGLAR ±1/2° DRAFT WHERE APPLICABLE MUST REMAIN WITHIN DIMENSIONS				THIS DRAWING CONTAINS INFORMATION THAT IS PROPRIETARY TO MOLEX INCORPORATED AND SHOULD NOT BE USED WITHOUT WRITTEN PERMISSION					