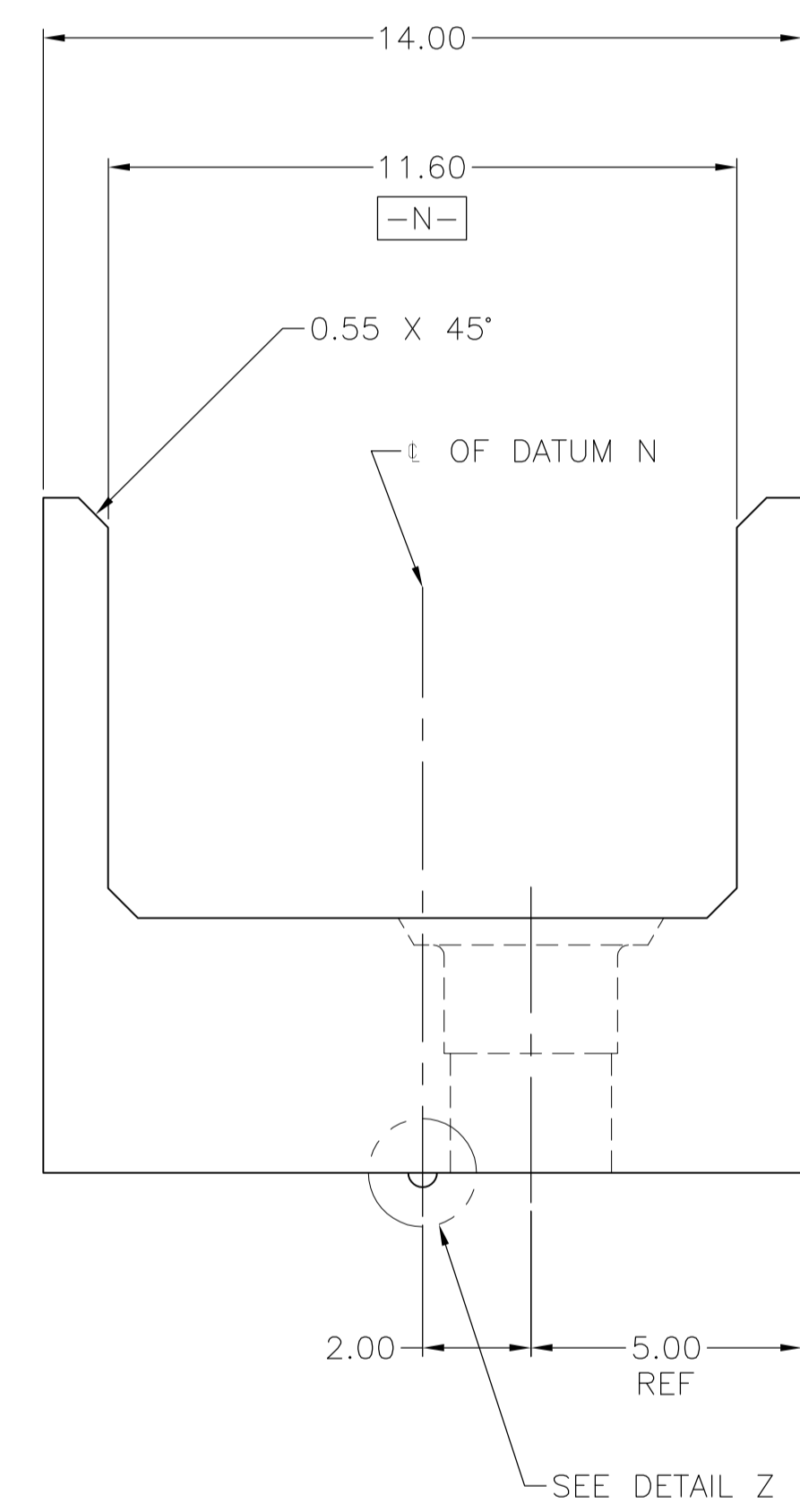
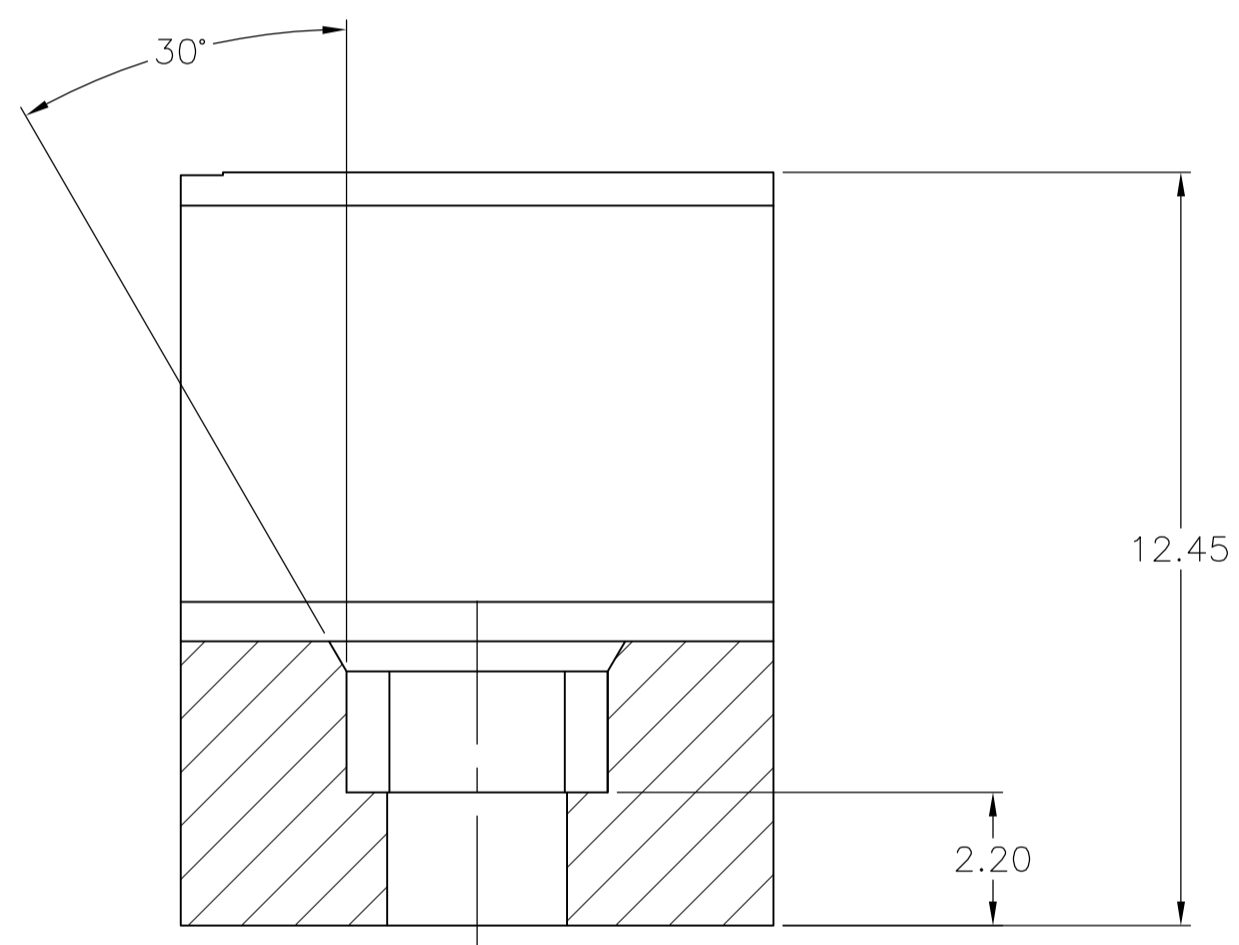
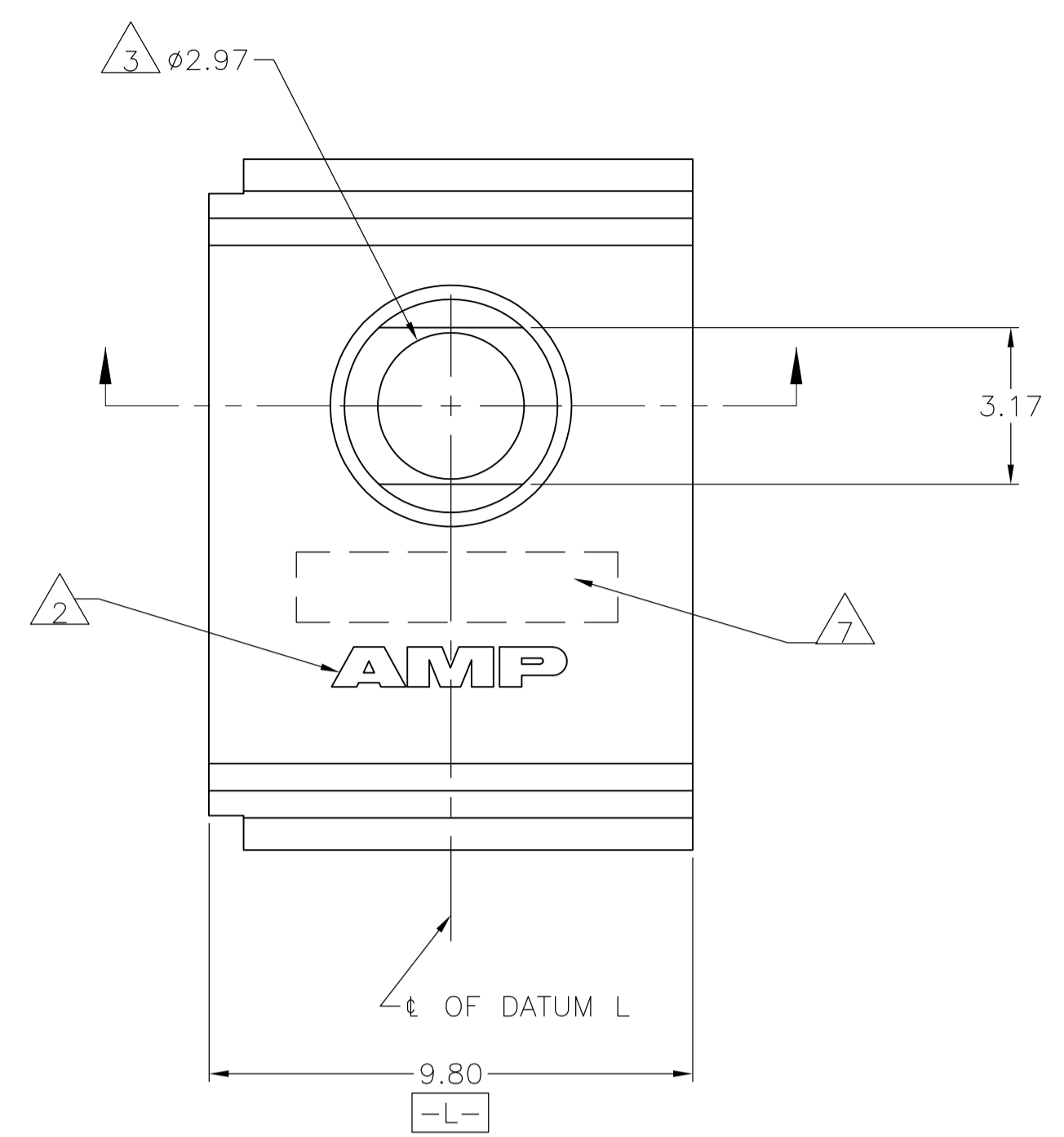
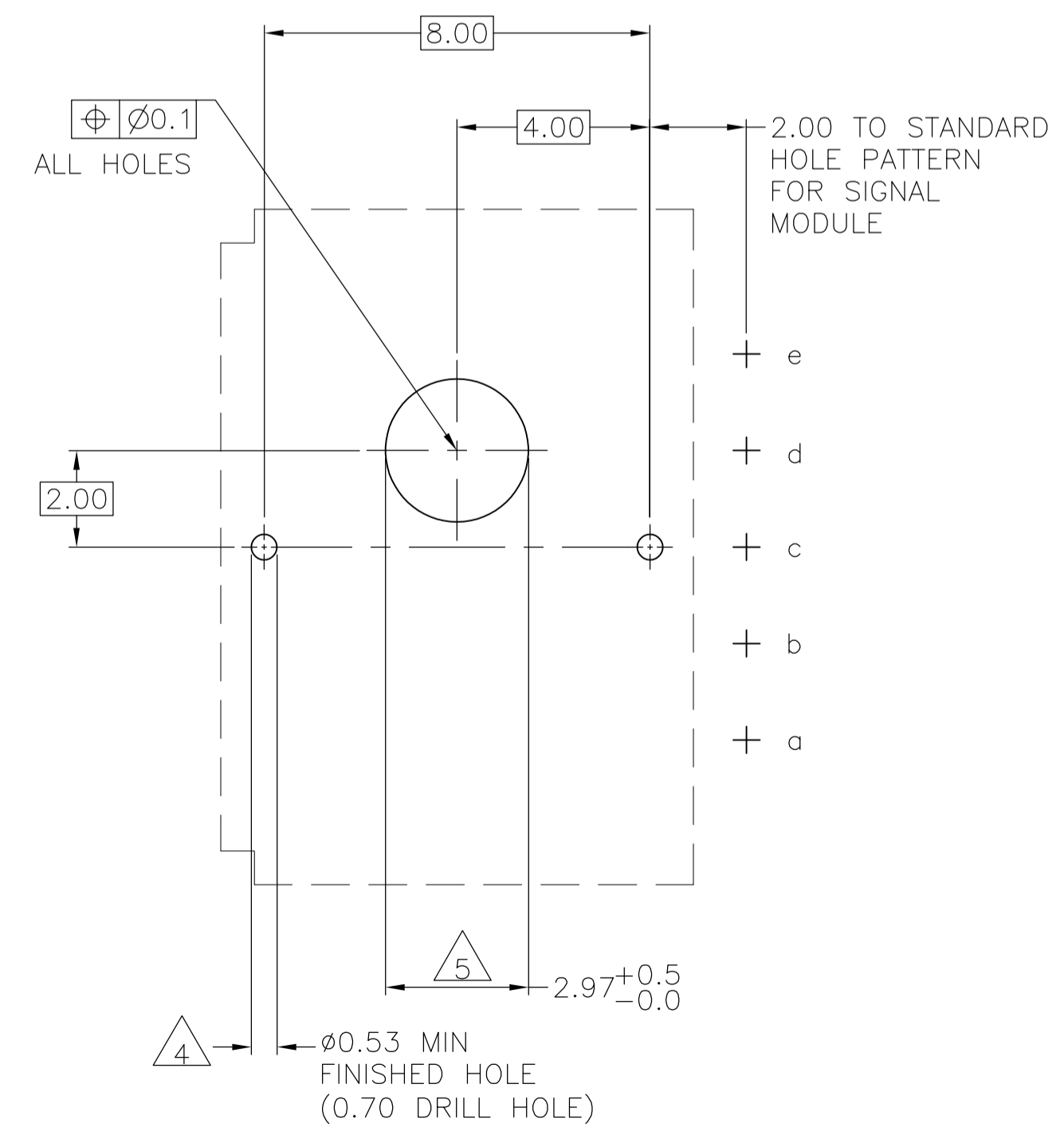


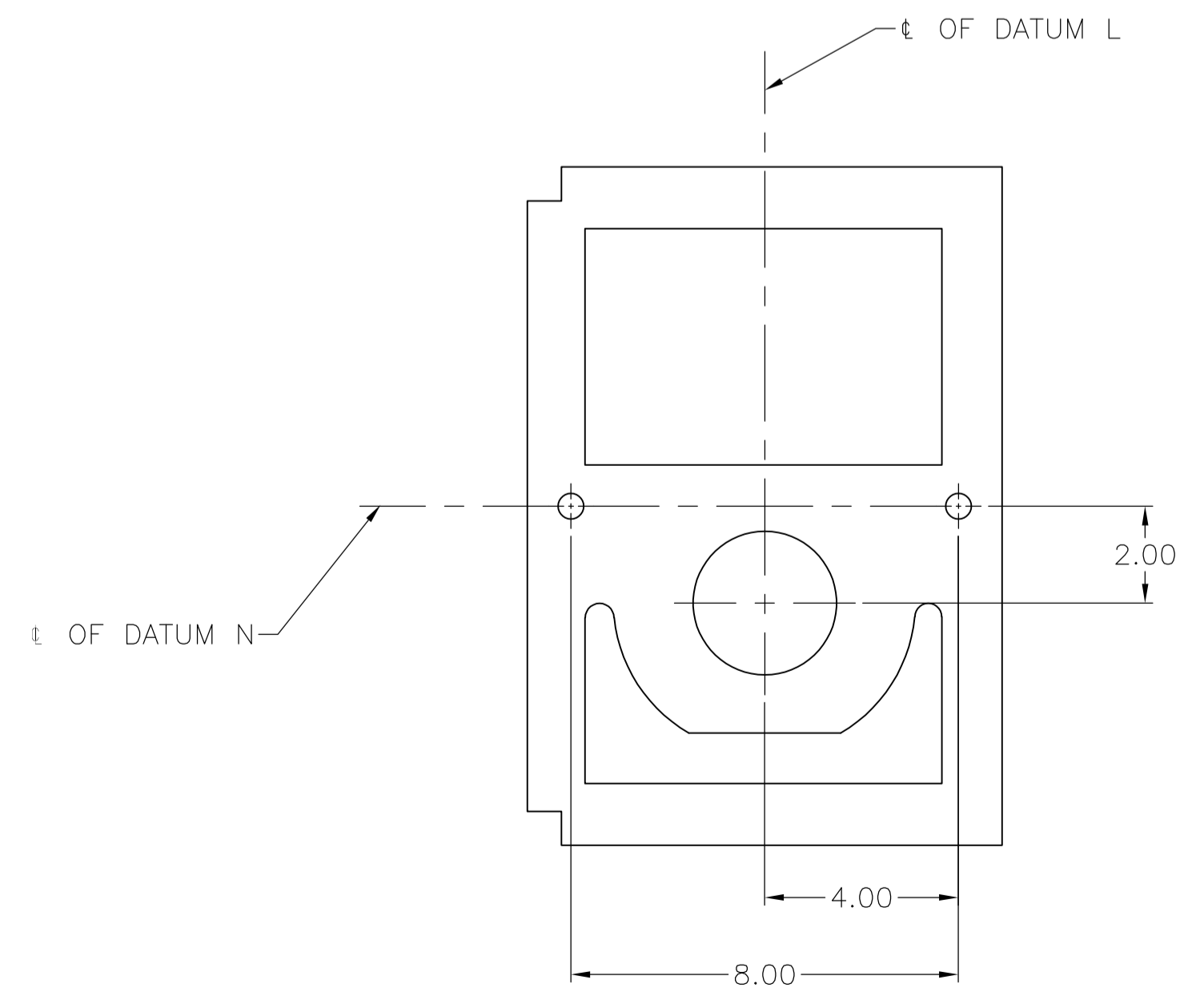
DETAIL Z
SCALE 20:1



- 1 MATERIAL: GLASS FILLED POLYESTER, GRAY.
- 2 AMP TRADEMARK RECESSED.
- 3 THIS PART HAS A THRU HOLE TO ACCEPT A POWER/GUIDE PIN, AMP BASE PART NO 532828.
- 4 LOCATING HOLES NEED NOT BE PLATED THRU HOLES. BUT LOCATING NIPPLE IS DESIGNED TO FIT MIN PLATED THRU HOLE Ø0.55mm FINISHED.
- 5 PLATED THRU HOLE FOR POWER APPLICATION ONLY.
- 6 SAME AS -1. SPECIAL PART FOR NORTEL AND THEIR CONTRACT MANUFACTURERS.
- 7 CONNECTOR PRINTED WITH PART NUMBER AND DATE CODE, LOCATED APPROXIMATELY AS SHOWN.



RECOMMENDED PCB-HOLE LAYOUT
COMPONENT SIDE



THIS DRAWING IS A CONTROLLED DOCUMENT.		DIN RAYMOND CAO 31MAR11		TE Connectivity	
DIMENSIONS: mm		CHK SANDERS YAN 31MAR11		NAME	
TOLERANCES UNLESS OTHERWISE SPECIFIED:		APPD MANQIAN WANG 31MAR11		PRODUCT SPEC	
0-PLC ±		APPLICATION SPEC		POWER/GUIDE PIN HOUSING MOLDED, 2mm HM	
1-PLC ±0.2		SIZE		CAGE CODE	
2-PLC ±0.1		WEIGHT		DRAWING NO	
3-PLC ±0.1		A1 00779		1645567	
4-PLC ±		CUSTOMER DRAWING		RESTRICTED TO	
ANGLES		SCALE 8:1		SHEET 1 of 1	
MATERIAL 1		FINISH		REV A	