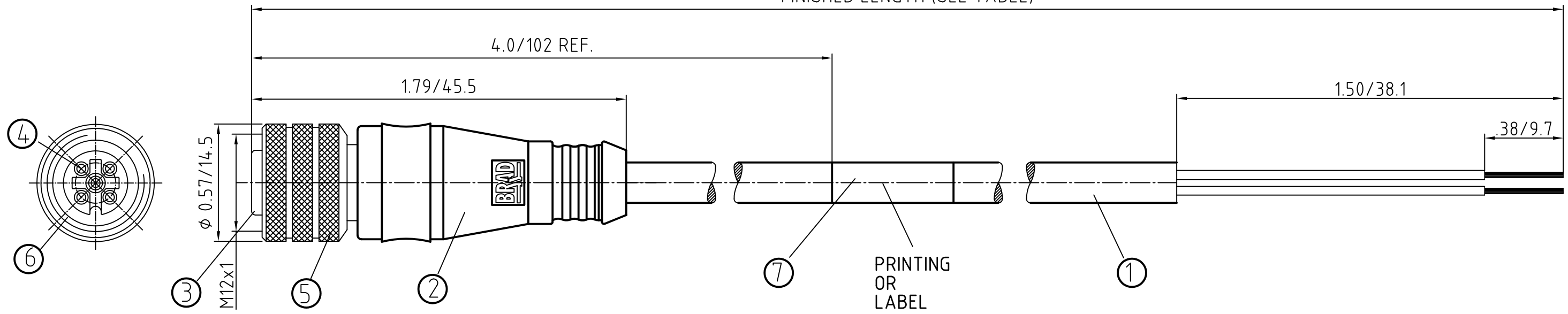
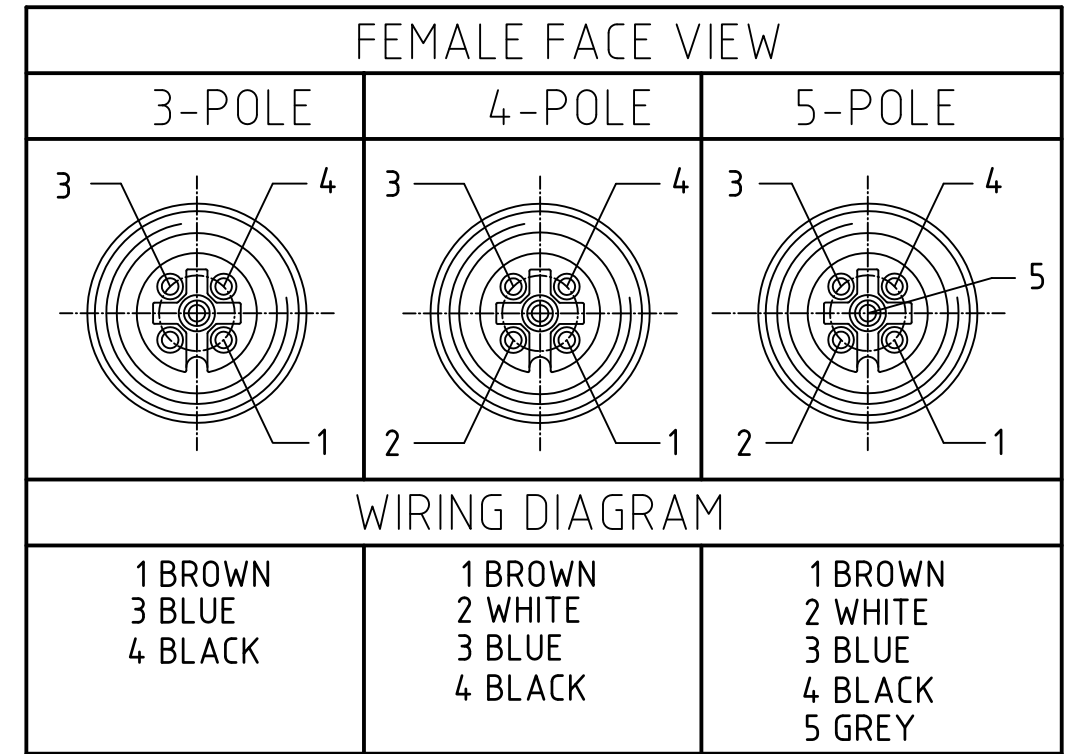


FINISHED LENGTH (SEE TABLE)



CONNECTOR SPECIFICATION:

|                       |                                 |
|-----------------------|---------------------------------|
| VOLTAGE RATING        | 250 VAC/VDC                     |
| AMPERAGE RATING       | max. 4 AMPS                     |
| PROTECTION            | IP67                            |
| OPERATING TEMPERATURE | -20°C TO 105°C                  |
| UL CERTIFICATIONS     | UL RECOGNIZED, FILE NO. E152210 |
| ASSEMBLY IS           | RoHS COMPLIANT                  |



| ITEM | COMPONENT  | MATERIAL           | FINISH           |
|------|--|--------------------|------------------|
| 7    | LABLE  | MYLAR              | BLACK/YELLOW     |
| 6    | O-RING   | VITON              | RED              |
| 5    | COUPLER  | BRASS              | NICKEL PLATED    |
| 4    | PIN CONTACT  | COPPER ALLOY       | GOLD OVER NICKEL |
| 3    | INSERT   | NYLON              | BLACK            |
| 2    | OVERMOLD   | POLYURETHANE (PUR) | YELLOW           |
| 1    | CABLE- 22/3-5<br>(COPPER STRANDING)<br>3/4/5 CONDUCT. 300V | JACKET: PVC        | JACKET: YELLOW   |

|  |                                     |  |      |                          |  |                        |                        |  |
|--|-------------------------------------|--|------|--------------------------|--|------------------------|------------------------|--|
| DESCRIPTION<br>EC NO: WEU2010-0261<br>DRWN: LSTEMMLE 2010/01/11<br>CHKD: NS<br>APPR: NSTAUDIG 2010/01/25 | QUALITY SYMBOLS<br>▽ = 0<br>▽/C = 0 | GENERAL TOLERANCES (UNLESS SPECIFIED)                      |      | DIMENSION STYLE<br>IN/MM | SCALE<br>2:1   | DESIGN UNITS<br>METRIC | THIRD ANGLE PROJECTION |  |
|  |                                     | mm   | INCH | DRAWN BY<br>DATE         | MICRO-CHANGE COERDSET<br>3/4/5-POL FEMALE STR SE<br>22/5 YELLOW PVC CABLE  |                        |                        |  |
|  |                                     | 4 PLACES ±---  | ±--- | CHECKED BY<br>DATE       |  |                        |                        |  |
|  |                                     | 3 PLACES ±---  | ±--- | RE<br>2010/01/20         | MOLEX INCORPORATED<br>DOCUMENT NO. SD-120065-026 SHEET NO. 1 OF 1  |                        |                        |  |
| 2 PLACES ±---  | ±01                                 | APPROVED BY<br>DATE<br>NSTAUDIG 2010/01/25                 |      |                          |  |                        |                        |  |
| 1 PLACE ±0.3   | ±---                                | DRAFT WHERE APPLICABLE<br>MUST REMAIN<br>WITHIN DIMENSIONS |      | SEE TABLE SHEET 2        | THIS DRAWING CONTAINS INFORMATION THAT IS PROPRIETARY TO MOLEX<br>INCORPORATED AND SHOULD NOT BE USED WITHOUT WRITTEN PERMISSION |                        |                        |  |
| 1  | REV                                 | SIZE A3  |      |                          |  |                        |                        |  |

| POL | MATERIAL NUMBER | ENGINEERING NUMBER | FINISHED LENGTH                 |
|-----|-----------------|--------------------|---------------------------------|
| 3   | 1200650129      | 803000A09M020      | 6.56' +3.50" -0 [2.0M +88.9 -0] |

| POL | MATERIAL NUMBER | ENGINEERING NUMBER | FINISHED LENGTH                     |
|-----|-----------------|--------------------|-------------------------------------|
| 4   | 1200650251      | 804000A09M003      | 0.98' +0.75" -0 [0.3M +19.1 -0]     |
| 4   | 1200651508      | 804000A09M005      | 1.64' +1.75" -0 [0.5M +44.5 -0]     |
| 4   | 1200650252      | 804000A09M010      | 3.28' +2.19" -0 [1.0M +55.6 -0]     |
| 4   | 1200650255      | 804000A09M020      | 6.56' +3.50" -0 [2.0M +88.9 -0]     |
| 4   | 1200650259      | 804000A09M030      | 9.84' +3.50" -0 [3.0M +88.9 -0]     |
| 4   | 1200650261      | 804000A09M040      | 13.12' +6.50" -0 [4.0M +165.1 -0]   |
| 4   | 1200650265      | 804000A09M050      | 16.40' +6.50" -0 [5.0M +165.1 -0]   |
| 4   | 1200650268      | 804000A09M060      | 19.69' +6.50" -0 [6.0M +165.1 -0]   |
| 4   | 1200650270      | 804000A09M070      | 22.97' +6.50" -0 [7.0M +165.1 -0]   |
| 4   | 1200650275      | 804000A09M080      | 26.25' +12.50" -0 [8.0M +317.5 -0]  |
| 4   | 1200650276      | 804000A09M090      | 29.53' +12.50" -0 [9.0M +317.5 -0]  |
| 4   | 1200650277      | 804000A09M100      | 32.81' +12.50" -0 [10.0M +317.5 -0] |
| 4   | 1200650285      | 804000A09M150      | 49.21' +24.50" -0 [15.0M +622.3 -0] |
| 4   | 1200650289      | 804000A09M200      | 65.62' +24.50" -0 [20.0M +622.3 -0] |
| 4   | 1200650293      | 804000A09M250      | 82.02' +24.50" -0 [25.0M +622.3 -0] |
| 4   | 1200650295      | 804000A09M300      | 98.43' +24.50" -0 [30.0M +622.3 -0] |

| POL | MATERIAL NUMBER | ENGINEERING NUMBER | FINISHED LENGTH                     |
|-----|-----------------|--------------------|-------------------------------------|
| 5   | 1200650471      | 805000A09M020      | 6.56' +3.5" -0 (2.0M +89mm -0)      |
| 5   | 1200650476      | 805000A09M040      | 13.12' +6.5" -0 (4.0M +165mm -0)    |
| 5   | 1200650479      | 805000A09M050      | 16.40' +6.5" -0 (5.0M +165mm -0)    |
| 5   | 1200650483      | 805000A09M060      | 19.69' +6.5" -0 (6.0M +165mm -0)    |
| 5   | 1200650487      | 805000A09M100      | 32.81' +12.5" -0] (10.0M +318mm -0) |

|   |                     |   |                                      |                            |                           |          |      |      |          |      |      |          |      |     |         |      |      |                 |  |  |  |  |  |
|---|---------------------|---|--------------------------------------|----------------------------|---------------------------|----------|------|------|----------|------|------|----------|------|-----|---------|------|------|-----------------|--|--|--|--|--|
| DESCRIPTION<br>EC NO: WEU2010-0261<br>DRWN: LSTEMMLE 2010/01/11<br>CHKD: NS<br>APPR: NSTAUDIG 2010/01/25<br>REV 1 | QUALITY SYMBOLS<br> | GENERAL TOLERANCES (UNLESS SPECIFIED)<br><table border="1"> <tr> <td></td> <td>mm</td> <td>INCH</td> </tr> <tr> <td>4 PLACES</td> <td>±---</td> <td>±---</td> </tr> <tr> <td>3 PLACES</td> <td>±---</td> <td>±---</td> </tr> <tr> <td>2 PLACES</td> <td>±---</td> <td>±01</td> </tr> <tr> <td>1 PLACE</td> <td>±0.3</td> <td>±---</td> </tr> <tr> <td colspan="3">ANGULAR ± --- °</td> </tr> </table> |                                      | mm                         | INCH                      | 4 PLACES | ±--- | ±--- | 3 PLACES | ±--- | ±--- | 2 PLACES | ±--- | ±01 | 1 PLACE | ±0.3 | ±--- | ANGULAR ± --- ° |  |  | DIMENSION STYLE<br><b>IN/MM</b><br>DRAWN BY: _____ DATE: _____<br>CHECKED BY: _____ DATE: _____<br>RE: _____ 2010/01/20<br>APPROVED BY: _____ DATE: _____<br>NSTAUDIG 2010/01/25 | SCALE<br><b>2:1</b><br>DESIGN UNITS<br><b>METRIC</b><br> | <b>MICRO-CHANGE COERDSET<br/>         3/4/5-POL FEMALE STR SE<br/>         22/5 YELLOW PVC CABLE</b> |
|   |                     | mm  | INCH                                 |                            |                           |          |      |      |          |      |      |          |      |     |         |      |      |                 |  |  |  |  |  |
|   | 4 PLACES            | ±---  | ±---                                 |                            |                           |          |      |      |          |      |      |          |      |     |         |      |      |                 |  |  |  |  |  |
|   | 3 PLACES            | ±---  | ±---                                 |                            |                           |          |      |      |          |      |      |          |      |     |         |      |      |                 |  |  |  |  |  |
| 2 PLACES  | ±---                | ±01   |                                      |                            |                           |          |      |      |          |      |      |          |      |     |         |      |      |                 |  |  |  |  |  |
| 1 PLACE   | ±0.3                | ±---  |                                      |                            |                           |          |      |      |          |      |      |          |      |     |         |      |      |                 |  |  |  |  |  |
| ANGULAR ± --- °   |                     |   |                                      |                            |                           |          |      |      |          |      |      |          |      |     |         |      |      |                 |  |  |  |  |  |
| DRAFT WHERE APPLICABLE<br>MUST REMAIN<br>WITHIN DIMENSIONS  | SEE TABLE           | MATERIAL NO.<br><b>SD-120065-026</b>  | DOCUMENT NO.<br><b>SD-120065-026</b> | SHEET NO.<br><b>1 OF 1</b> | <b>MOLEX INCORPORATED</b> |          |      |      |          |      |      |          |      |     |         |      |      |                 |  |  |  |  |  |
| SIZE<br><b>A3</b>   |                     | THIS DRAWING CONTAINS INFORMATION THAT IS PROPRIETARY TO MOLEX INCORPORATED AND SHOULD NOT BE USED WITHOUT WRITTEN PERMISSION   |                                      |                            |                           |          |      |      |          |      |      |          |      |     |         |      |      |                 |  |  |  |  |  |